

URINAL FIXTURE - 7160 & 7165

Item: _____



Unit may be pictured with some optional features.

- 7160** Back supply connection 1½" (38mm) FIPT.
- 7165** Top supply connection 1½" (38mm) MIPT.

STANDARD FEATURES

- Chase mounted fixture, Wall outlet waste, Blowout urinal
- 2-3/8" (76mm) OD stainless steel fully enclosed trap with blowout jet.s
- Plain end waste extended 4" (102mm) past back of fixture for NH type connection.
- **Hardware-**
 - Plated steel concealed anchor rods with nuts and washers.



WARNING: Cancer and Reproductive Harm
 - www.P65Warnings.ca.gov.

► DESCRIPTION

This Urinal Fixture is designed for areas with an accessible pipe chase. The fixtures are fabricated using heavy gauge type 304 stainless steel, welded to form a vandal resistant unit. Flushing rim provides a full sanitary washdown of the interior. Integral trap is fully enclosed.



► INSTALLATION

Four anchor rods are screwed into sockets on back of the fixture and pass through the wall to an accessible pipe chase. Anchor rods are secured with washers and hex nuts from behind the wall. The installer must provide wall openings for anchor rods and piping connections per rough-in drawings provided by Metcraft.

NOTE: A security frame (wall sleeve) is recommended when installed on a new block (CMU) or poured concrete wall. A security frame is not appropriate for hollow wall construction.

Water Consumption:
 With flush valve - 1.6 gpf (6 liters)

RECOMMENDED FLUSH VALVES

	SLOAN	ZURN	DELANY
Concealed	609	Z6609	F547
Exposed	180-T	Z6610	F448
 Concealed	952-MBFW	ZH6152-MBFW	1234
 Exposed	180-T	Z6000	453

WALL THICKNESS AND TYPE (Must Specify)

 Thickness: _____ Type: Concrete Block Steel

OPTIONS/ACCESSORIES

- A120** Security Frame (Wall Sleeve/Can).
- A168** Metal Template for Wall Openings.
- PCC** Powder Coat - Anti-microbial White.
- PE** Plain End Waste (Standard).
- A210-1** 2-3/8" s/s to 4" CI No-hub Connector.
- A210-2** 2-3/8" s/s to 4" PL No-hub Connector.
- A210-3** 2-3/8" s/s to 3" CI No-hub Connector.
- A210-4** 2-3/8" s/s to 3" PL No-hub Connector.
- A247** Flush valve thru wall connector 1 1/2" FIPT.
- A610** Flush Valve Access Panel. Not available on 7165.
- A615** Flush Valve Cover. Not available on 7160.
- ADA** ADA Mounting height - 17" Rim Height.

* Dimensions lowered 5" for ADA.

URINAL FIXTURE - 7160 & 7165

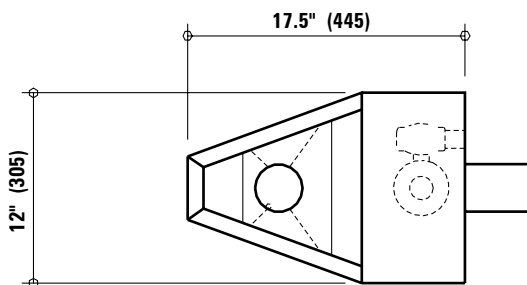
Item: _____

Notes:

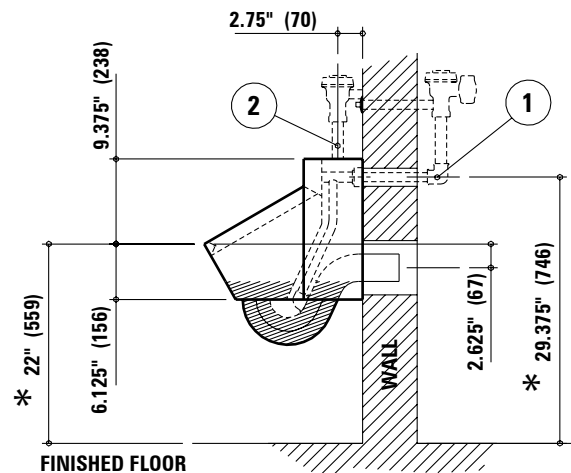
1 - Back Supply (7160)

2 - Top Supply (7165)

* See ADA Option



Due to continuous product improvement Metcraft reserves the right to make changes in design and specifications without prior notice. All dimensions should be verified with the factory for current information.



APPROVED FOR MANUFACTURING	Company: _____	Name: _____
	Signature: _____	Date: _____