

## URINAL FIXTURE - 7610 & 7615

Item: \_\_\_\_\_



Unit may be pictured with some optional features.

- 7610** Back supply connection 3/4" (19mm) MIPT.
- 7615** Top supply connection 3/4" (19mm) MIPT.

### STANDARD FEATURES

- Front mounted fixture, Wall outlet waste, Washdown Urinal
- High volume beehive style strainer.
- 1 1/2" (38mm) OD P-trap for slip-type connection.
- Vandal resistant stainless steel trap enclosure.



**WARNING:** Cancer and Reproductive Harm  
- www.P65Warnings.ca.gov.

### ► DESCRIPTION

This Urinal Fixture is designed for areas without an accessible pipe chase. The fixtures are fabricated using heavy gauge type 304 stainless steel, welded to form a vandal resistant unit. Exposed surfaces have a satin finish. Flushing provides a sanitary washdown of the interior.

### ► PERFORMANCE STANDARDS

This fixture meets or exceeds ASME A112.19.3 / CSA B45.4 standards for "Stainless Steel Plumbing Fixtures".

### ► INSTALLATION

Flush supply and waste piping must be roughed-in to wall locations provided on drawings. Wall anchors (supplied by others) are installed in the wall at locations shown on rough-in drawings. Concealed flush valve requires access for future flush valve service. P-trap waste is connected to waste pipe, and trap enclosure is installed with stainless steel vandal-resistant screws.

Water Consumption:

With HEU consumption flush valve - .5 gpf (1.9 liters)

#### RECOMMENDED FLUSH VALVES

|           | SLOAN | ZURN  | DELANY |
|-----------|-------|-------|--------|
| Concealed | 613   | Z6613 | F576   |
| Exposed   | 186   | Z6614 | F575   |

Listed by

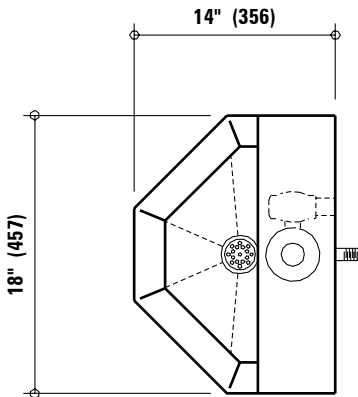


### OPTIONS/ACCESSORIES

- PCC** Powder Coat - Anti-microbial White.
- A245** Flush valve thru wall connector  $\frac{3}{4}$ " MIPT.  
Wall Thickness: \_\_\_\_\_
- A610** Flush Valve Access Panel. Not available on 7615.
- A615** Flush Valve Cover. Not available on 7610.
- ADA** ADA Mounting height - 17" Rim Height.  
\* Dimensions lowered 5" for ADA.

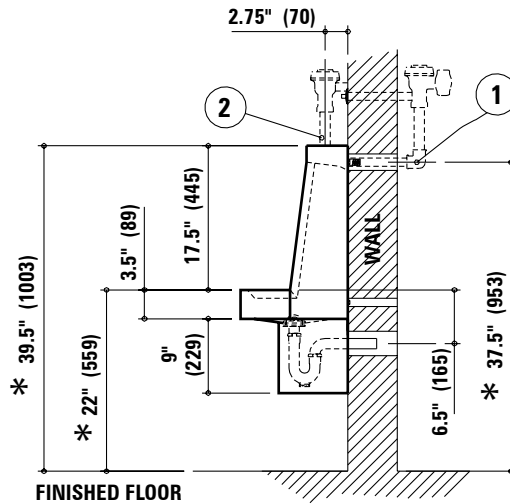
## URINAL FIXTURE - 7610 & 7615

Item: \_\_\_\_\_



- Notes:
- 1 - Back Supply (7610)
  - 2 - Top Supply (7615)
  - \* See ADA Option

Due to continuous product improvement Metcraft reserves the right to make changes in design and specifications without prior notice. All dimensions should be verified with the factory for current information.



|                                       |                  |             |
|---------------------------------------|------------------|-------------|
| <b>APPROVED FOR<br/>MANUFACTURING</b> | Company: _____   | Name: _____ |
|                                       | Signature: _____ | Date: _____ |