

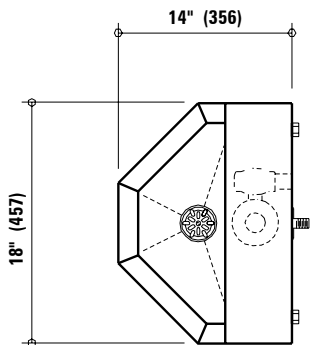
OPTIONS/ACCESSORIES

- PCC** Powder Coat - Anti-microbial White.
- A245** Flush valve thru wall connector $\frac{3}{4}$ " MIPT.
Wall Thickness: _____
- A610** Flush Valve Access Panel. Not available on 7625.
- A615** Flush Valve Cover. Not available on 7620.
- ADA** ADA Mounting height - 17" Rim Height.

* Dimensions lowered 5" for ADA

URINAL FIXTURE - 7620 & 7625

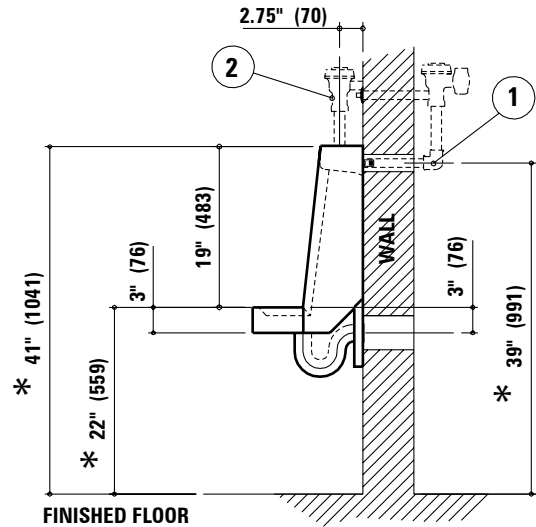
Item: _____



Notes:

- 1 - Back Supply (7620)
- 2 - Top Supply (7625)

* See ADA Option



Due to continuous product improvement Metcraft reserves the right to make changes in design and specifications without prior notice. All dimensions should be verified with the factory for current information.

APPROVED FOR MANUFACTURING	Company: _____	Name: _____
	Signature: _____	Date: _____