

URINAL FIXTURE - 7660 & 7665

Item: _____



Unit may be pictured with some optional features.

- 7660** Back supply connection 1½" (38mm) FIPT.
- 7665** Top supply connection 1½" (38mm) MIPT.

STANDARD FEATURES

- Front mounted fixture, Wall outlet waste, Blowout urinal
- 2-3/8" (76mm) OD stainless steel fully enclosed trap with blowout jet.
- Gasket type waste outlet with 5 1/2" (140mm) dia. recessed gasket flange.
- Flushing rim for full sanitary washdown of interior.



WARNING: Cancer and Reproductive Harm
- www.P65Warnings.ca.gov.

► DESCRIPTION

This Urinal Fixture is designed for areas without an accessible pipe chase. The fixtures are fabricated using heavy gauge type 304 stainless steel, welded to form a vandal resistant unit. Flushing rim provides a full sanitary washdown of the interior. Integral stainless steel blowout trap is fully enclosed.



► INSTALLATION

Flush supply and waste piping must be roughed in at wall locations shown on rough-in drawings provided by Metcraft. Wall anchors (supplied by others) are embedded in the wall at locations shown on rough-in drawings. Fixture is secured to the wall using threaded steel studs and vandal resistant cap nuts. For back supply fixtures, access must be provided for connection of concealed flush valve (by others) and future service.

Water Consumption:

With flush valve - 1.6 gpf (6 liters)

RECOMMENDED FLUSH VALVES

	SLOAN	ZURN	DELANY
Concealed	609	Z6609	F547
Exposed	180-T	Z6610	F448
 Concealed	952-MBFW	ZH6152-MBFW	1234
 Exposed	180-T	Z6000	453

NOTE: Plan for service access to concealed flush valves.

OPTIONS/ACCESSORIES

- A168** Metal Template for Wall Openings.
- PCC** Powder Coat - Anti-microbial White.
- GW** Gasket Waste Outlet.
- A210-1** 2-3/8" s/s to 4" CI No-hub Connector.
- A210-2** 2-3/8" s/s to 4" PL No-hub Connector.
- A210-3** 2-3/8" s/s to 3" CI No-hub Connector. .
- A210-4** 2-3/8" s/s to 3" PL No-hub Connector.
- A247** Flush valve thru wall connector 1 1/2" FIPT.
Wall Thickness: _____
- A610** Flush Valve Access Panel. Not available on 7665.
- A615** Flush Valve Cover. Not available on 7660.
- ADA** ADA Mounting height - 17" Rim Height.
* Dimensions lowered 5" for ADA.

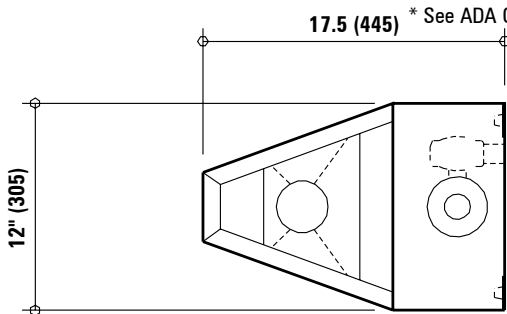
URINAL FIXTURE - 7660 & 7665

Item: _____

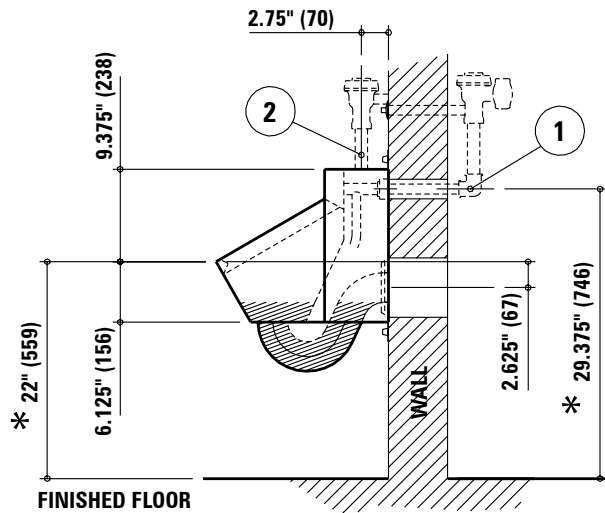
Notes:

- 1 - Back Supply (7660)
- 2 - Top Supply (7665)

* See ADA Option



Due to continuous product improvement Metcraft reserves the right to make changes in design and specifications without prior notice. All dimensions should be verified with the factory for current information.



APPROVED FOR MANUFACTURING	Company: _____	Name: _____
	Signature: _____	Date: _____