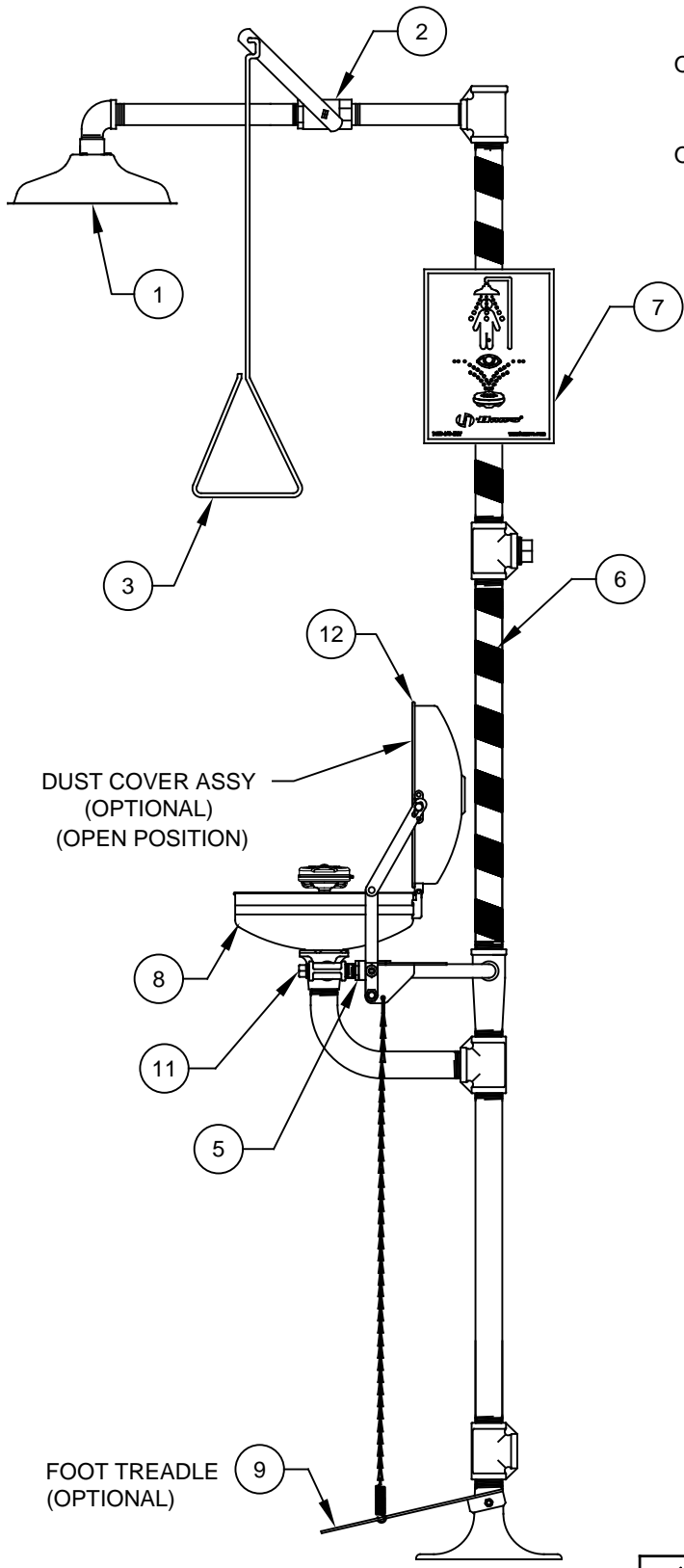
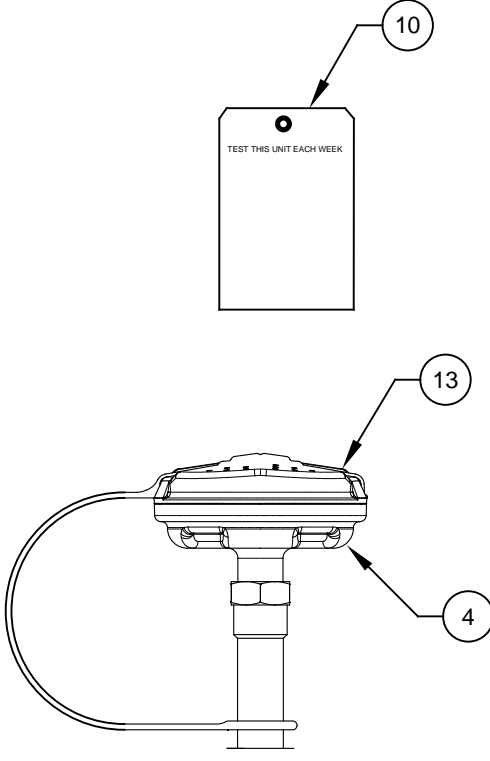


PARTS BREAKDOWN

ITEM	DESCRIPTION	PART NO.
1	SHOWER HEAD	SP829SS
2	VALVE ASSEMBLY	SP265
3	PULL ROD	SP200
4	EYE/FACE WASH HEAD	SP65SS
5	VALVE ASSEMBLY	SP228
6	STRIPE TAPE	SP185
7	SHOWER SIGN	SP178
8	BOWL	SP90
9	FOOT TREADLE	SP220SS
10	TEST TAG	SP170
11	L-STRAINER	SP509SS
12	SS DUST COVER ASSEMBLY	9102
13	E/F WASH DUST COVER	9091




OPTIONAL
OPTIONAL



SP65SS EYE/FACE WASH ASSEMBLY

WHEN ORDERING PARTS PLEASE SPECIFY MODEL NUMBER.

 Haws [®]			1455 KLEPPE LANE SPARKS, NEVADA 89431 (775) 359-4712 FAX (775) 359-7424 E-MAIL: HAWS@HAWSCO.COM WEBSITE: WWW.HAWSCO.COM	
ECN NO.	REVISED PER	BY	MODEL(S)	PART NUMBER
	ECN: 5530	FV	8330	0002080174
DRAWN	DATE	CHKD		REVISION
CJL	05/91	DP		26
APPROVED	DATE	SCALE:	DRAWING TYPE:	SIZE: A SHEET 1 OF 1
NE	03/27/20	1/6	PARTS BREAKDOWN	