

FEATURES & BENEFITS

SAFETY

8" x 10-3/4" (20.3 x 27.3 cm) universal emergency sign make the unit easily detected in an emergency. Test card to record weekly checks helps maintain the unit's best working quality.

MOUNTING

Wall-mounted design with wall hook allows for easy locating as well as a space efficient piece of emergency equipment.

HOSE

The 12' (365.8 cm) recoil swivel hose delivers an extended coverage area and is pressure rated at 200 psi (13.8 bar) to optimize durability.

EYE/FACE WASH VALVE

Valve is designed so full continuous flow occurs with the simple squeeze of a lever providing an easy start to the irrigation process.

EYE/FACE WASH

AXION® MSR eye/face wash head uses an inverted directional laminar flow to sweep contaminants away from the vulnerable nasal cavity.

OPTIONS

- Thermostatic Mixing Valve: Model 9201EW AXION® Emergency Tempering Valve thermostatically mixes hot and cold water to provide a safe fluid supply for a single emergency eye/face wash, with a flow rate of 10 gpm (38.8 L).
- Emergency Alarm System : Model 9001.5, 1/2" 120 VAC emergency alarm and light system. Buzzer and flashing light are activated by a 1/2" IPS double pole, double throw flow switch.
- Valve Repair Kit For SP248: Model VRKSP248 valve repair kit for Model SP248 squeeze handle valve.
- Vacuum Breaker: Model SP212 is a chrome-plated brass vacuum breaker.

For more information, visit www.hawsco.com or call (888) 640-4297.

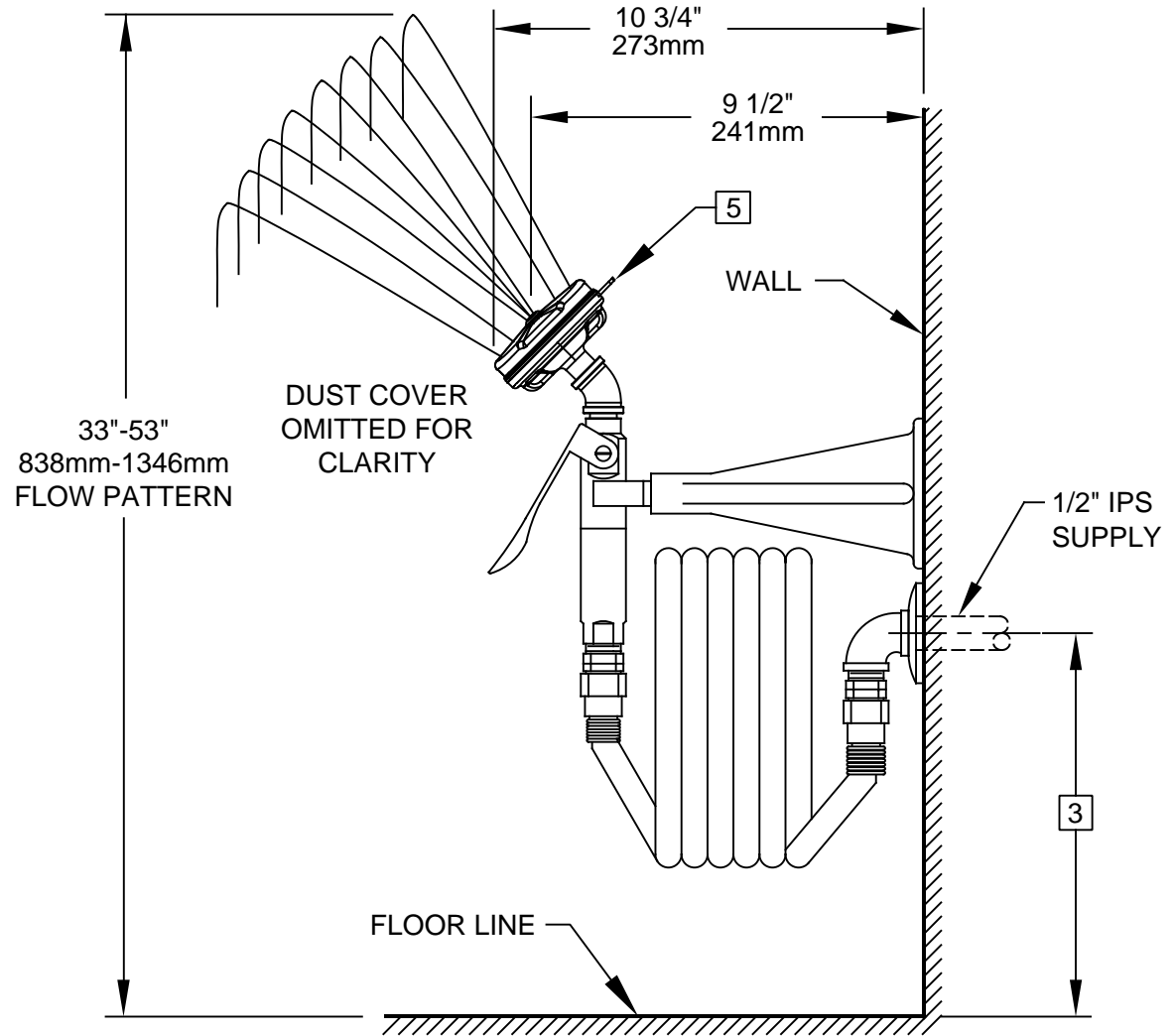
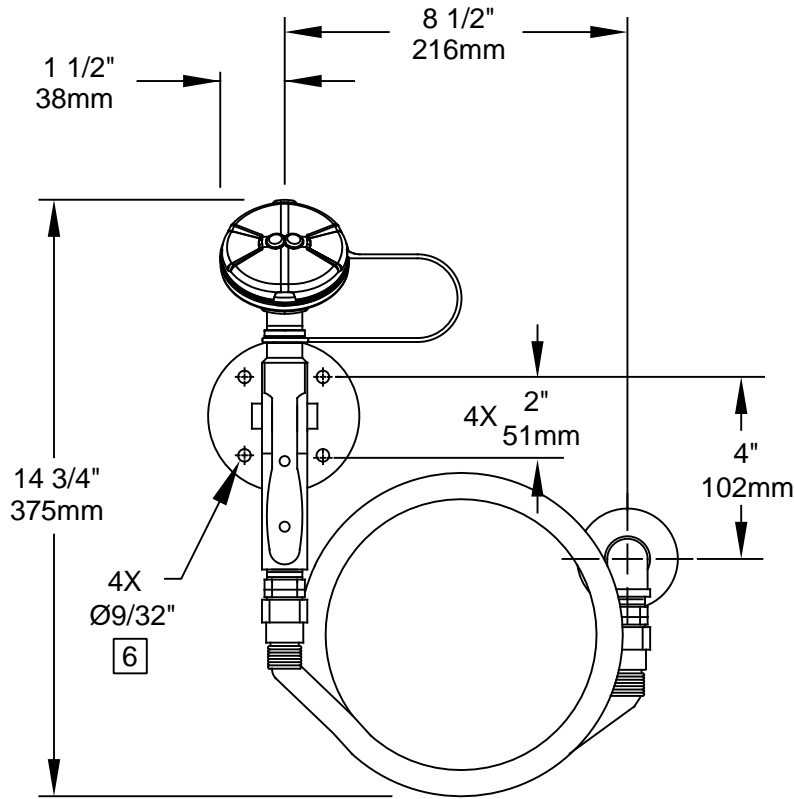


SPECIFICATIONS

Model 8905 wall-mounted eye/face wash and body spray with AXION® MSR eye/face wash head which features an inverted directional laminar flow for Zero Vertical Velocity™ supplied by an integral 3.7 gpm flow control, chrome plated brass stay-open squeeze lever valve, 12-foot (365.8 cm) yellow recoil hose with chrome-plated swivel fitting at one end, universal sign, and 1/2" NPT inlet. In order to comply with state codes the use of a vacuum breaker is required with all hand held eye/face wash body spray units (Haws offers model SP212).


APPLICATIONS

Perfect for the environment where safety is of the utmost importance and an extended coverage area may be needed. When installed properly, the functionally constructed, deck mounted design is space efficient. Unit 8905 is certified by CSA to meet the ANSI Z358.1 Standard for Emergency Eyewash and Shower Equipment.



NOTES:

1. WHEN INSTALLING THIS UNIT, LOCAL, STATE, OR FEDERAL CODES SHOULD BE ADHERED TO FOR INSTALLATION DIMENSIONS (LOCATIONS), WASTE AND SUPPLY REQUIREMENTS OTHER THAN SHOWN.
2. TO COMPLY WITH ANSI Z358.1-2014 FOR EMERGENCY EYEWASH OR EYE/FACE WASH: EYEWASH OR EYE/FACE WASH SHALL BE POSITIONED SUCH THAT FLUSHING FLUID PATTERN IS NOT LESS THAN 33" (838mm), NO GREATER THAN 53" (1346mm) FROM SURFACE ON WHICH USER STANDS, AND 6.0" (153mm) MINIMUM FROM WALL OR NEAREST OBSTRUCTION.
3. HEIGHT IS DETERMINED BY WATER FLOW PATTERN HEIGHT SHOWN, WHICH IN TURN, IS DEPENDENT ON IN-LINE SUPPLY PRESSURE.
4. IN ORDER TO COMPLY WITH STATE CODES, THE USE OF A VACUUM BREAKER IS REQUIRED WITH ALL HAND HELD EYE/FACE WASH AND BODY SPRAY UNITS (HAWS OFFERS MODEL SP212).
5. ASSEMBLE EYE/FACE WASH ASSEMBLY AND DUST COVER TO HOSE; ORIENT TAB ON ASSEMBLY AWAY FROM USER.
6. MOUNTING HARDWARE NOT SUPPLIED.
7. DIMENSIONS MAY VARY ±1/2".

		Haws®		1455 KLEPPE LANE SPARKS, NEVADA 89431 (775) 359-4712 FAX (775) 359-7424 E-MAIL: HAWS@HAWS.CO.COM WEBSITE: WWW.HAWS.CO.COM	
				MODEL(S) 8905 WALL MOUNTED EYE/FACE WASH	
ECN NO. DRAWN: CH	REVISED PER ECN: 5342 DATE: 08/95	BY: JP CHKD.: FV	APPROVED: MJ		DATE: 09/12/18
SCALE: NA		DRAWING TYPE: INSTALLATION		SIZE: A SHEET 1 OF 1	