



CONTEMPORARY DRINKING FOUNTAINS

A131-VR Series

BARRIER FREE, VANDAL RESISTANT,
WALL MOUNTED DRINKING FOUNTAIN

STANDARD FEATURES

- Child or Adult ADA Compliant (when properly installed)
- 18 gage, 304 Stainless Steel Basin and Flush Mounted Chrome Plated Brass Button
- Polished Stainless Steel, Vandal Resistant, Anti-Rotation, Non-Squirt Bubbler
- 100-Mesh Inlet Strainer
- Vandal Resistant Screws
- Integral P-Trap
- Mounting Plate with Hardware

SUGGESTED SPECIFICATIONS

Model A131400S-VR is a Vandal Resistant, Wall Mounted Drinking Fountain made from 18 gage, 304 stainless steel with a brushed finish. Unit shall be activated by Chrome Plated Brass Pushbutton using less than 5 pounds of force. Bubbler shall be polished stainless steel with a non-squirt feature and operate on a water pressure range of 20-105 psig. Unit shall have a uniquely designed, two-piece contoured bowl with P-trap integral to the unit. Unit is certified to ANSI A117.1, Public Law 111-380 (NO-LEAD), CHSC 116875 and NSF/ANSI 61, Section 9. Fixture meets ADA, ADA Standing Person, and ADA Child requirements when mounted appropriately.



"RATED FOR INDOOR AND OUTDOOR USE"

MODEL:

(Must Specify)

FLEXIBLE BUBBLER (LOW FLOW)

- A131200F-VR Bronze Finish
- A131300F-VR Gold Finish (High Polish)
- A131400F-VR Satin stainless Finish

LEAD-FREE STAINLESS STEEL BUBBLER

- A131200S-VR Bronze Finish
- A131300S-VR Gold Finish (High Polish)
- A131400S-VR Satin stainless Finish (Shown)

OPTIONS

(additional costs may be incurred)

- AD1 Access door
- AP1 Access panel for a single fountain
- BP2 Back panel for single contoured fountain
- CSC Concealed support carrier
- FRA1 Freeze resistant valve (Chase mounted)
- HP High polished stainless steel
- MF1 Mounting frame for a single fountain
- SO Sensor Operated (Indoor use only)

Complies with the following standards:



Federal Public Law 111-380 (No Lead)



Member of U.S. Green Building Council



Recyclable Product



Water Conserving Product

WARNING: Cancer and Reproductive Harm - www.P65Warnings.ca.gov

MURDOCK MFG. • 15125 Proctor Avenue • City of Industry, CA 91746 USA
Phone 800-453-7465 or 626-333-2543 • Fax 626-855-4860 • www.murdockmfg.com

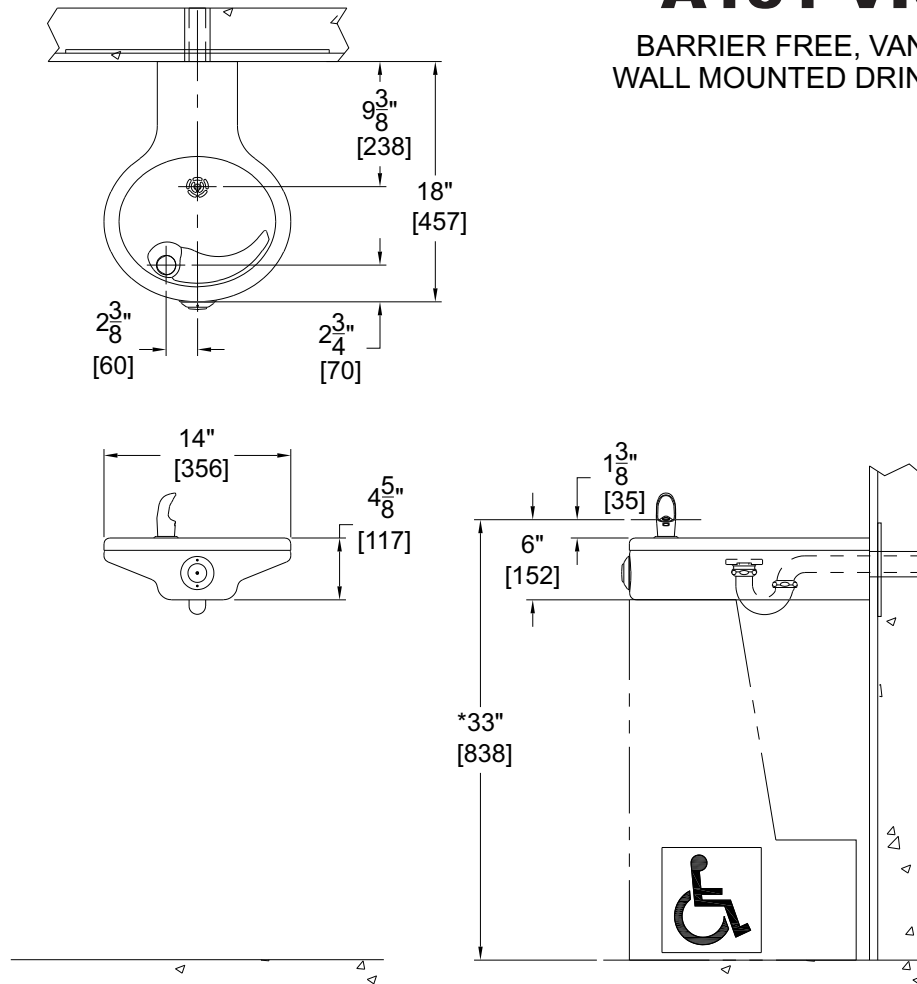
Member of **MORRIS GROUP INTERNATIONAL**



CONTEMPORARY DRINKING FOUNTAINS

A131-VR Series

BARRIER FREE, VANDAL RESISTANT
WALL MOUNTED DRINKING FOUNTAIN



GENERAL NOTES:

1. ALL DIMENSION ARE IN INCHES [MM]
- *2. DIMENSION SHOWN ARE FOR RECOMMENDED ADULT HEIGHT
ADJUST VERTICAL DIMENSIONS AS NECESSARY TO COMPLY
WITH FEDERAL, STATE, & LOCAL CODES

Murdock Mfg.™ warrants that its products are free from defects in material or workmanship under normal use and service for a period of one year from date of shipment. Murdock's liability under this warranty shall be discharged solely by replacement or repair of defective material, provided Murdock™ is notified in writing within one year from date of shipment, F.O.B. Industry, California.

SELECTION SUMMARY & APPROVAL FOR MANUFACTURING	Model Number & Options _____	Quantity _____	All dimensions are subject to manufactures tolerance of plus or minus 1/2" nominal and subject to change without notice. Murdock assumes no responsibility for use of void or superseded data. Dimensions may change with the addition of optional accessories. Murdock Mfg.™, Member of Morris Group International™. Please visit www.murdockmfg.com for most current specifications.
	Company _____		
	Contact _____	Title _____	
	Signature (Approval for Manufacturing) _____	Date _____	

MURDOCK MFG. • 15125 Proctor Avenue • City of Industry, CA 91746 USA
Phone 800-453-7465 or 626-333-2543 • Fax 626-855-4860 • www.murdockmfg.com

Member of  MORRIS GROUP INTERNATIONAL