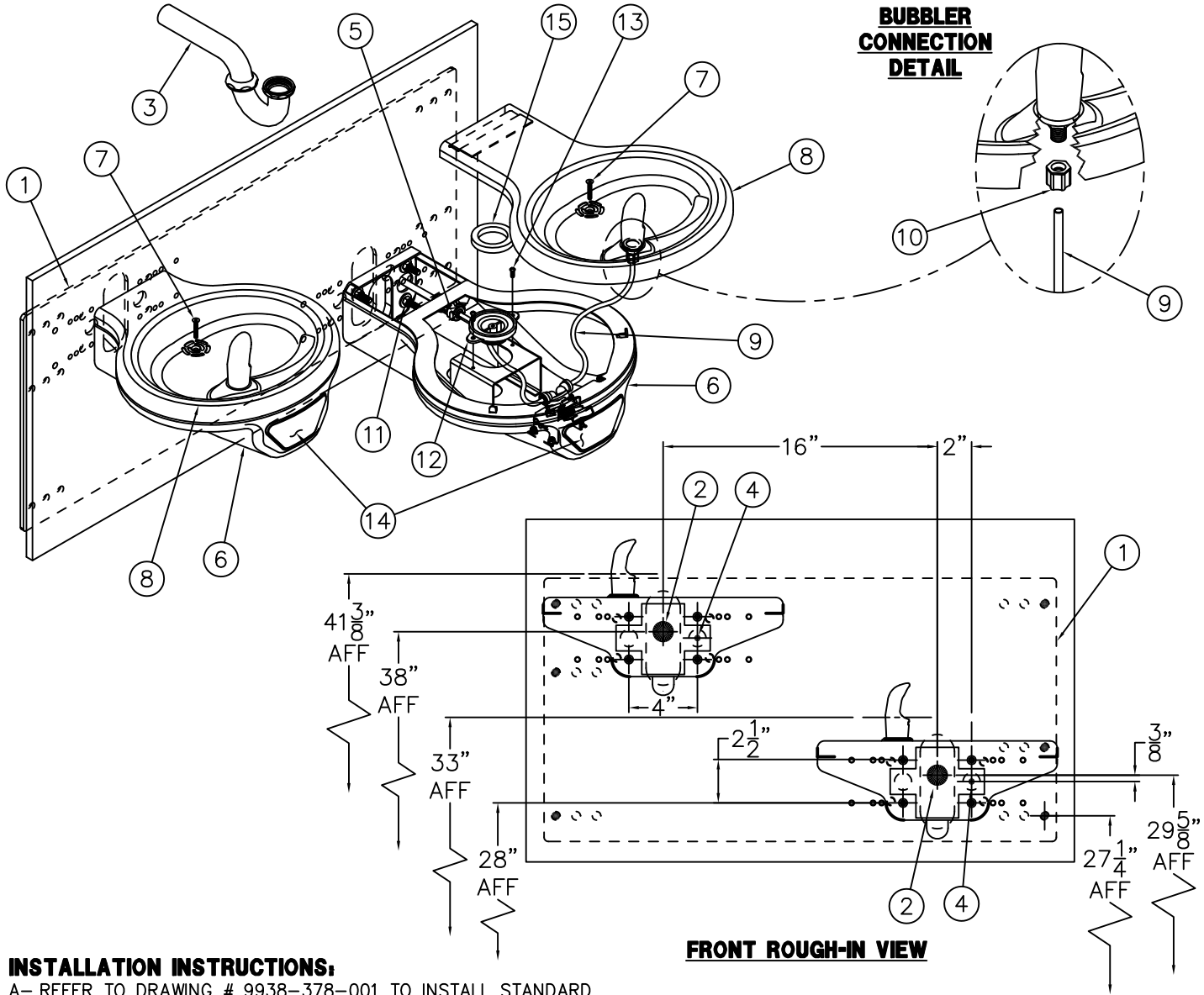




# INSTALLATION INSTRUCTIONS

# DRINKING FOUNTAINS



**BUBBLER CONNECTION DETAIL**

**FRONT ROUGH-IN VIEW**

**INSTALLATION INSTRUCTIONS:**

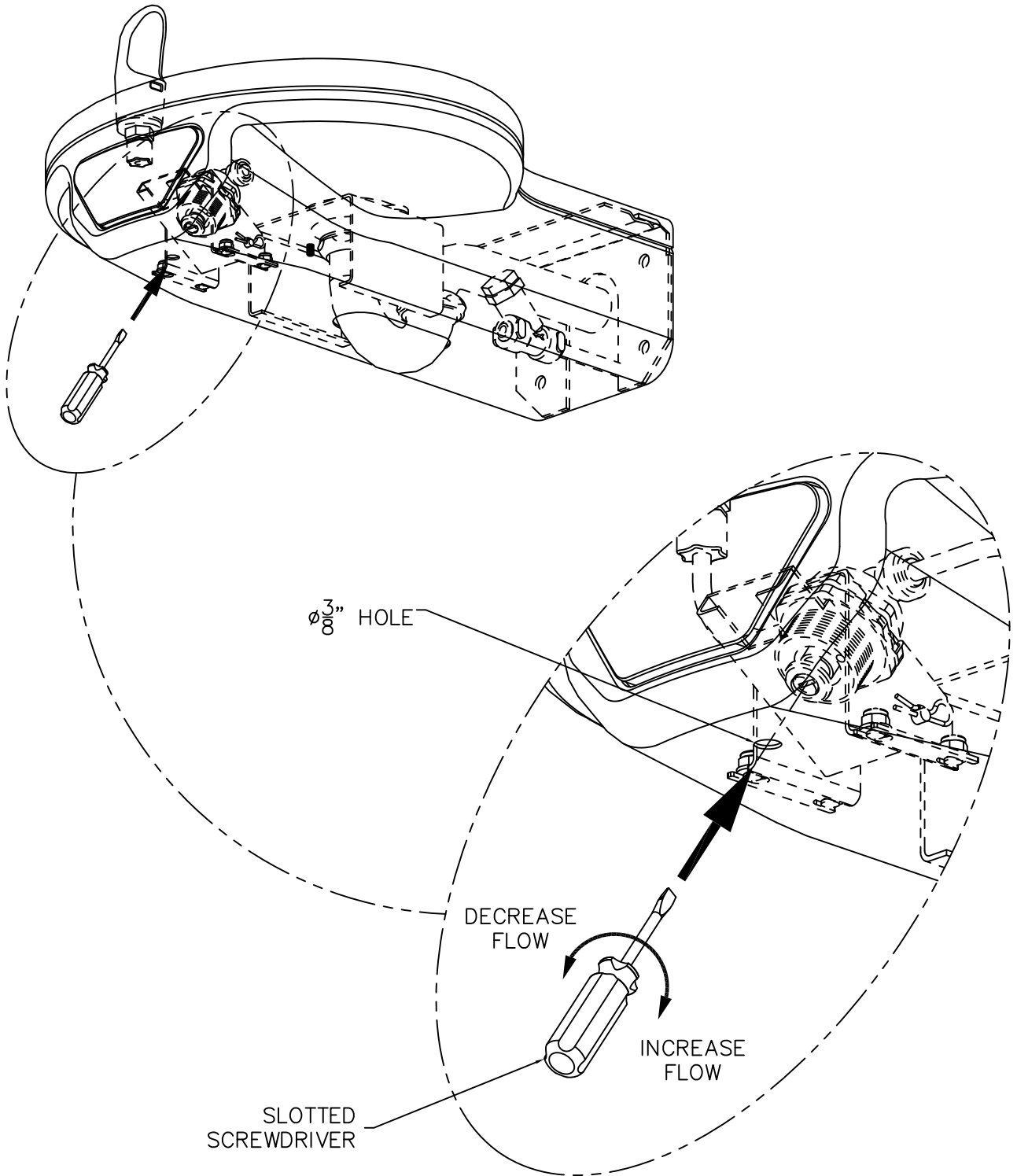
- A- REFER TO DRAWING # 9938-378-001 TO INSTALL STANDARD SUPPLIED WALL MOUNTING PLATE (1).
- B- ROUGH-IN WASTE OUTLETS (2) AT DIMENSIONS SHOWN FOR 1-1/4" OUTER DIAMETER PLAIN END P-TRAPS (3).
- C- ROUGH-IN WATER SUPPLIES (4) AT DIMENSIONS SHOWN FOR THE 1/4" NOMINAL (3/8" O.D.) x 4" LONG COPPER TUBES CONNECTED TO IN-LINE STRAINERS (5) PROVIDED. STRAIGHT STOPS RECOMMENDED ON SUPPLIES SUPPLIED BY OTHERS.
- D- CAREFULLY REMOVE FIXTURES (6) AND COMPONENTS FROM THE PACKAGING PREVENTING SCRATCHING AND DAMAGE.
- E- REMOVE SCREWS (7). REMOVE FOUNTAIN TOPS (8) LIFTING AT THE FRONT & PULLING FORWARD. DISCONNECT TUBING (9) FROM BUBBLERS BY UNSCREWING FERRULE NUTS (10) AND SET TOPS (8) ASIDE WHERE THEY WILL NOT GET DAMAGED.
- F- SLIDE SPACERS, BACK PLATE AND UNITS OVER STUDS FROM MOUNTING PLATE & SECURE WITH NUTS AND WASHERS (11).
- G- ASSEMBLE P-TRAPS (3) TO DRAIN ADAPTERS (12). ASSEMBLE TO UNITS WITH PHILLIPS SCREWS (13). MAKE-UP 1-1/4" O.D. WASTE CONNECTIONS.
- H- FLUSH WATER SUPPLIES (4) BY OTHERS OF ALL DEBRIS PRIOR TO CONNECTING TO FIXTURE.
- I- CONNECT WATER SUPPLIES (4) BY OTHERS TO 1/4" NOMINAL COPPER TUBE INLETS. STRAIGHT SUPPLY STOPS RECOMMENDED.
- J- RE-ATTACH TUBING (9) TO BUBBLERS WITH FERRULE NUTS (10). TEST OPERATION OF BUBBLERS BY DEPRESSING BUTTONS (14). REFERENCE DRAWING # 9938-004-001 TO ADJUST FLOW RATE AS REQUIRED. CHECK ALL CONNECTIONS AND WASTE PIPING FOR LEAKS. CORRECT IF PRESENT.
- K- SET GASKETS (15) ON DRAIN ADAPTERS (12). RE-INSTALL TOPS (8) ON HOUSINGS (ENGAGE THE BACK CLIP ON THE 18" UNIT) AND SECURE WITH SCREWS (7).


MURDOCK-SUPER SECUR P.O. Box 3527 Industry, CA 91744 15125 Proctor Ave Industry, CA 91746 Phone: (800) 591-9880 www.murdock-supersecur.com	<b>TITLE</b> <b>W32 CONTOURED WALL MOUNTED BI-LEVEL DRINKING FOUNTAIN</b>	
	<b>MANUFACTURE DATE</b> <b>APRIL 2009</b> <b>TO PRESENT</b>	<b>DATE ISSUED</b> <b>04/17/09</b> <b>DATE REVISED</b> <b>03/02/16</b>



# INSTALLATION INSTRUCTIONS

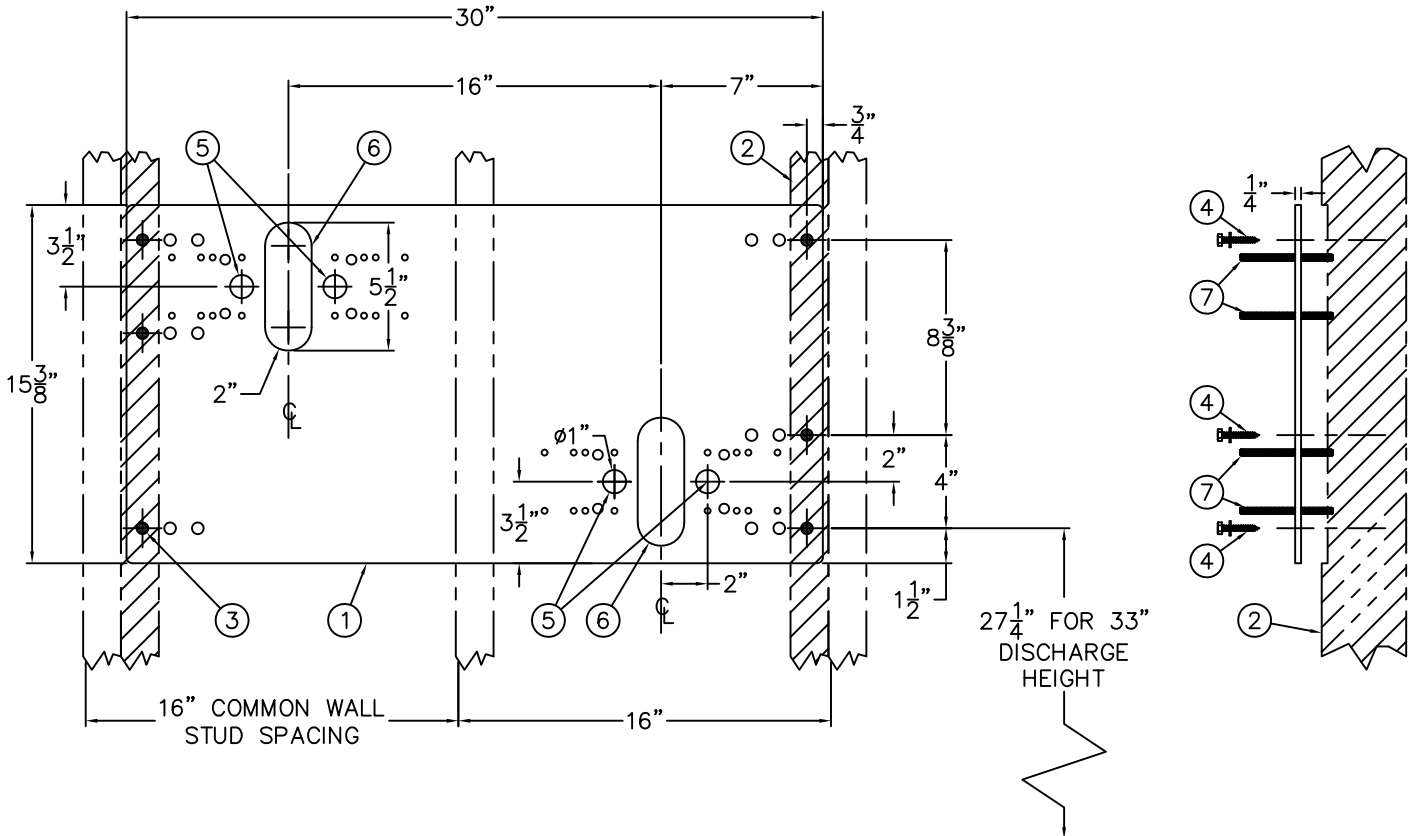
# DRINKING FOUNTAINS



 <b>MURDOCK-SUPER SECUR</b> P.O. Box 3527 Industry, CA 91744 15125 Proctor Ave Industry, CA 91746 Phone: (800) 591-9880 www.murdock-supersecur.com	<b>TITLE</b> <b>CONTOURED DRINKING FOUNTAIN FLOW RATE ADJUSTMENT</b>	
	<b>MANUFACTURE DATE</b> <b>JANUARY 2006</b> <b>TO PRESENT</b>	<b>DATE ISSUED</b> <b>09/27/05</b>
	<b>DATE REVISED</b>	



ROUGH-IN FOR 3/8" OD PUSH-IN SUPPLY INLET, STRAIGHT STOP RECOMMENDED. \*1/4" NCT x 2" LONG TUBE STUB OUT PROVIDED.  
ROUGH-IN FOR 1-1/4" OD P-TRAP WASTE OUTLET



**INSTALLATION INSTRUCTIONS:**

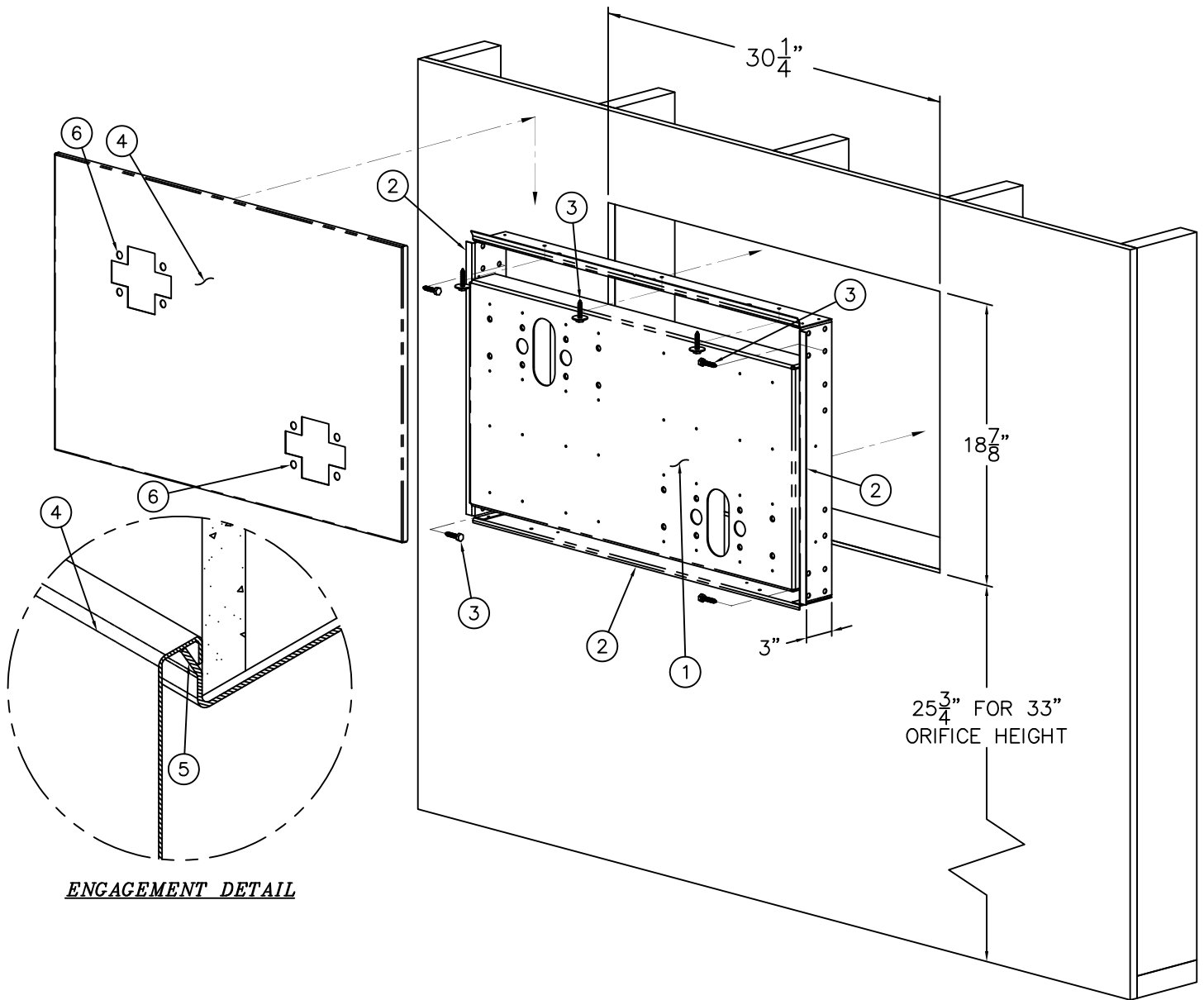
NOTE: BI-LEVEL INSTALLATION SHOWN, OPTIONAL RBL REVERSE BI-LEVEL INSTALLATION OPPOSITE.

- A- PLATE (1) INTENDED TO BE RECESSED FLUSH WITH SUPPORT FRAMING (2) PROVIDED BY INSTALLER. FRAME & BLOCK OUT SUPPORT USING DIMENSIONS SHOWN. FRAME SHOULD SUPPORT 300 LBS MINIMUM.
- B- MOUNTING PLATE (1) IS 1/4" THICK AND INCLUDES 18, 1/2" DIAMETER PUNCHING FOR ANCHORING HARDWARE BY OTHERS.
- C- STRIKE A LEVEL HORIZONTAL CHALK LINE TO LOCATE BOTTOM MOUNTING HOLES (3). REFERENCE DISCHARGE HEIGHT REQUIREMENTS FOR YOUR MODEL AND FACILITY TO DETERMINE CORRECT HEIGHT AT FINISHED FLOOR (AFF).

- D- AFTER POSITIONING PLATE CORRECTLY, FIX PLATE TO WALL USING APPROPRIATE, INSTALLER PROVIDED ANCHORING HARDWARE (4).
- E- MAKE UP APPROPRIATE SUPPLY (5) AND WASTE (6) ROUGHS THROUGH MOUNTING PLATE OPENINGS. A STRAIGHT SUPPLY STOP IS RECOMMENDED.
- F- REFER TO FIXTURE INSTALLATION SHEETS TO LOCATE 5/16" THREADED STUDS MOUNTING HARDWARE AND THREAD STUDS (7) THRU PLATE SO THAT A MINIMUM OF 1-1/4" OF THREAD PROJECTS BEYOND THE FINISHED WALL MATERIAL.
- G- PROTECT THREADED STUDS (7), SUPPLY (5) AND WASTE (6) ROUGHS WHILE FINISHING WALL.

<p>MURDOCK-SUPER SECUR P.O. Box 3527 Industry, CA 91744 15125 Proctor Ave Industry, CA 91746 Phone: (800) 591-9880 www.murdock-supersecur.com</p>	<p>TITLE <b>-MP2-W32 WALL PLATE -BI-LEVEL, DRINKING FOUNTAIN</b></p>	
	<p>MANUFACTURE DATE <b>APRIL 2007</b> <b>TO PRESENT</b></p>	<p>DATE ISSUED <b>04/02/09</b></p> <p>DATE REVISED <b>03/02/16</b></p>

**NOTE:**  
STANDARD BI-LEVEL INSTALLATION IS SHOWN. FOR REVERSE BI-LEVEL MF8-RBL MOUNTING FRAME AND TOP TRIM PANEL ARE OPPOSITE.



**ENGAGEMENT DETAIL**

**INSTALLATION INSTRUCTIONS:**


A- PROVIDE A 30-1/4" WIDE x 18-7/8" TALL OPENING AT APPROPRIATE HEIGHT. PROVIDE ADEQUATE STRUCTURAL SUPPORT AROUND INSIDE OF OPENING FOR FRAME ANCHORING.

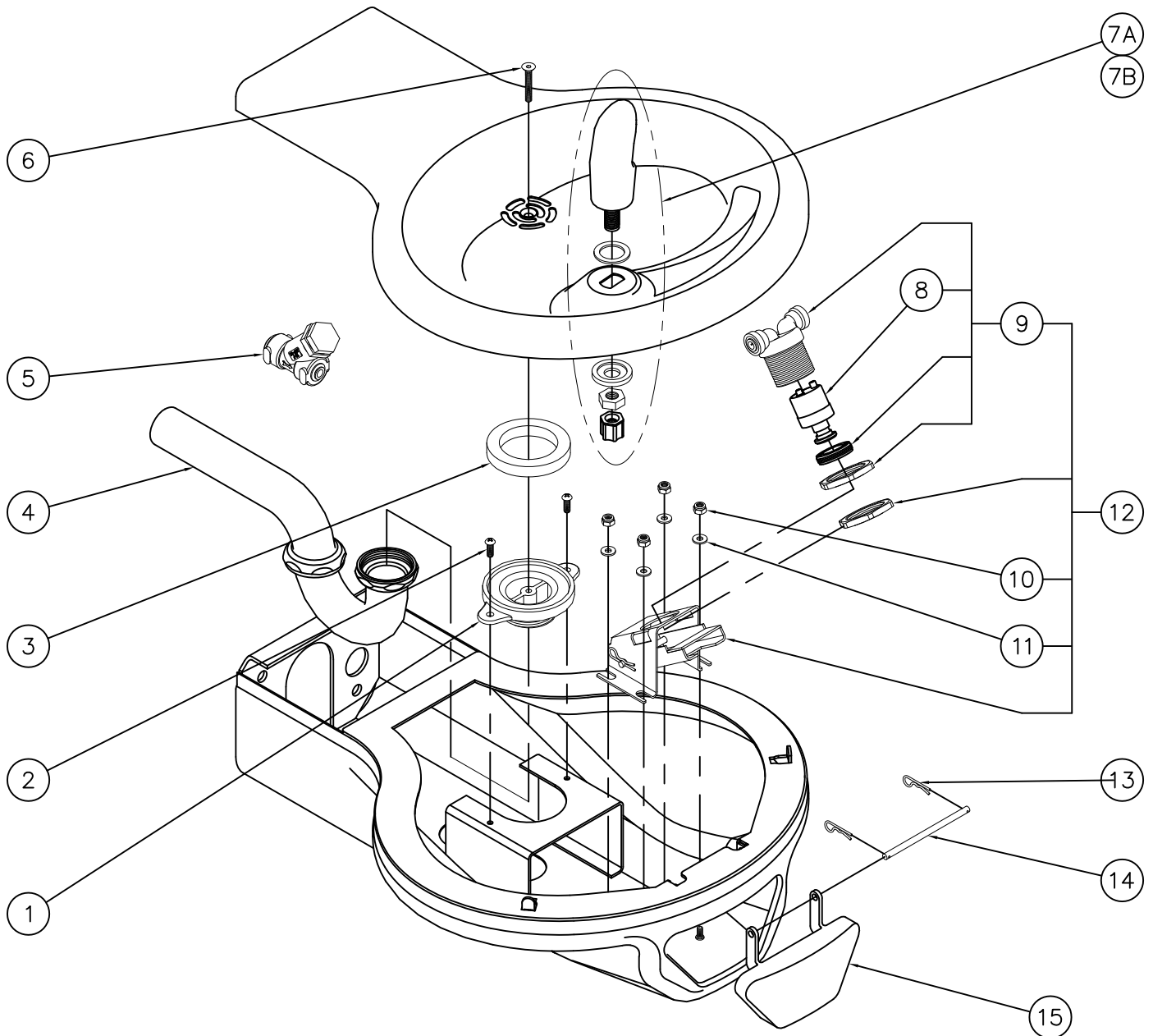
B- CENTER FRAME (1) WITHIN WALL OPENING. SLIDE FRAME (1) INTO OPENING UNTIL TOP, SIDE AND BOTTOM FLANGES (2) ARE AGAINST FINISHED WALL. SECURE TO WALL FROM THE TOP, SIDES AND BOTTOM USING INSTALLER PROVIDED HARDWARE (3).

C- INSTALL TRIM PANEL (4) BY ENGAGING OVER JOGGLE (5) ON TOP OF FRAME (1), SEE ENGAGEMENT DETAIL.


D- ASSEMBLY OF DRINKING FOUNTAINS THROUGH TRIM PANEL (4) INTO MOUNTING FRAME (1) HELPS SECURE TRIM PANEL (4) INTO ONTO WALL.

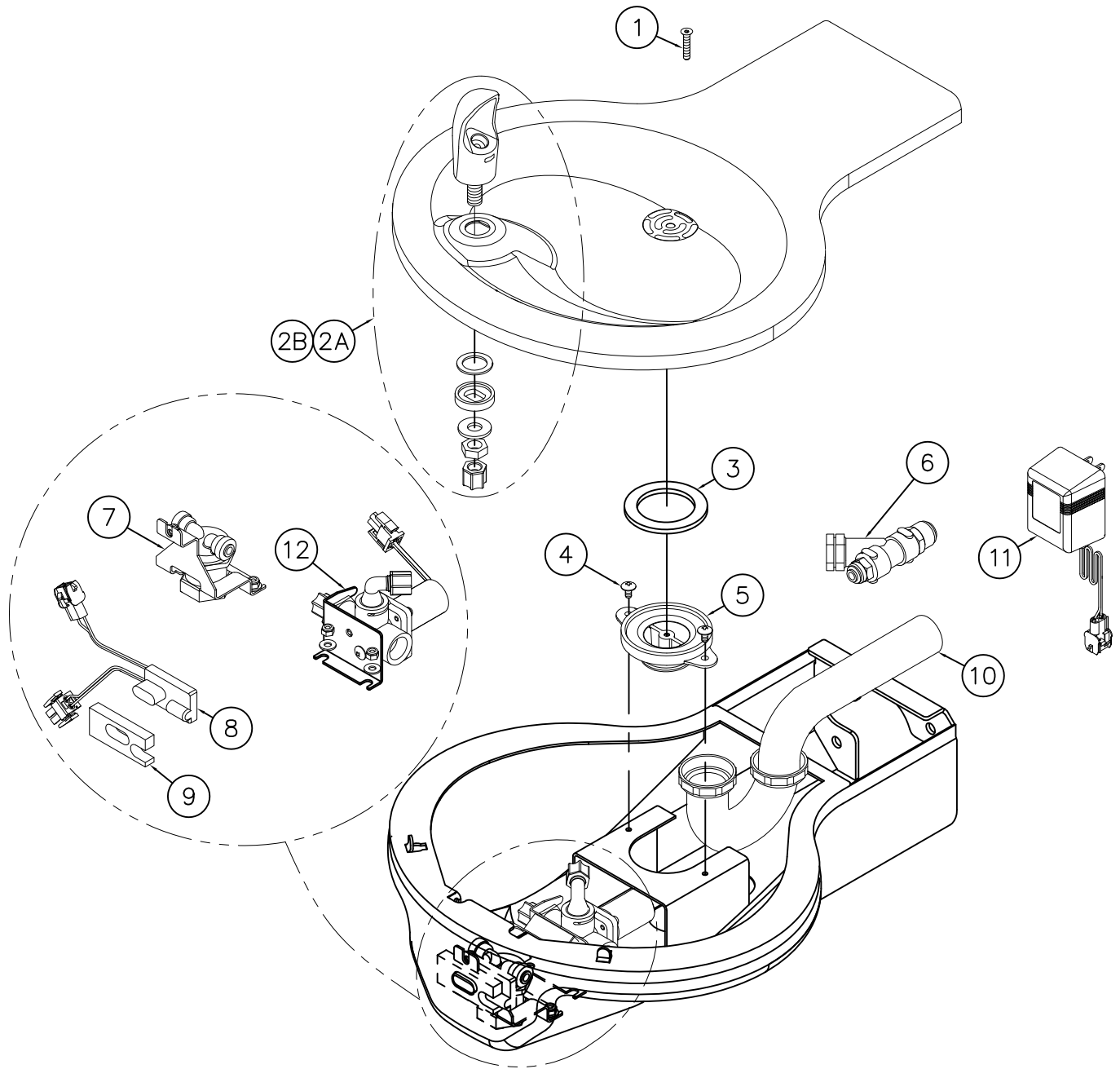
**NOTE:**  
TRIM PANEL FIXTURE MOUNTING POINTS (6) DIFFER TO MATCH MODEL REFERENCED BUT DOES NOT CHANGE THE METHOD OF INSTALLATION.

 <p>MURDOCK-SUPER SECUR P.O. Box 3527 Industry, CA 91744 15125 Proctor Ave Industry, CA 91746 Phone: (800) 591-9880 www.murdock-supersecur.com</p>	<p>TITLE <b>OPTIONAL -MF8 FOR -W32 BI-LEVEL FOUNTAIN WALL MOUNTING FRAME</b></p>		
	<p>MANUFACTURE DATE <b>APRIL 2011</b> <b>TO PRESENT</b></p>	<p>DATE ISSUED <b>04/13/11</b></p> <p>DATE REVISED <b>10/21/13</b></p>	<p>DRAWING NUMBER <b>9938-382-001</b></p>




1	7000-005-199	DRAIN ADAPTER	8	7000-060-000	VALVE CARTRIDGE
2	0116-016-000	PHILLIPS TRUSS HEAD SCREW	9	7000-050-001	VALVE ASSEMBLY
3	7000-006-000	FLAT DRAIN ADAPTER GASKET	10	0308-009-000	NYLON INSERT LOCKNUT
4	7000-015-000	1-1/4" OUTER DIAMETER P-TRAP	11	0331-004-000	FLAT WASHER
5	7000-021-001	"Y" STRAINER	12	7001-008-001	VALVE ACTIVATION ASSEMBLY
6	0152-010-000	CENTER REJECT FLAT HEAD SCREW	13	0341-100-000	WIRE CLIP
7A	7000-012-001	STAINLESS STEEL BUBBLER	14	7000-100-199	BLACK DELRIN SHAFT
7B	7000-099-002	FLEXIBLE BUBBLER ASSEMBLY	15	7000-004-000	PUSH PAD
ITEM	PART NUMBER	DESCRIPTION	ITEM	PART NUMBER	DESCRIPTION

 <p>MURDOCK-SUPER SECUR P.O. Box 3527 Industry, CA 91744 15125 Proctor Ave Industry, CA 91746 Phone: (800) 591-9880 www.murdock-supersecur.com</p>	<p><b>TITLE</b> PUSH PAD OPERATED CONTOURED DRINKING FOUNTAIN</p>		
	<p>MANUFACTURE DATE</p> <p><b>JANUARY 2006</b></p> <p><b>TO PRESENT</b></p>	<p>DATE ISSUED</p> <p><b>09/22/05</b></p> <p>DATE REVISED</p> <p><b>03/01/16</b></p>	<p>DRAWING NUMBER</p> <p><b>9938-000-500</b></p>



1	0152-010-000	CENTER REJECT FLAT HEAD SCREW	7	7000-067-001	SENSOR & FLOW ADJ BRACKET ASSY
2A	7000-012-001	STAINLESS STEEL BUBBLER	8	2562-373-001	9V DC SENSOR ASSEMBLY
2B	7000-099-002	FLEXIBLE GRAY BUBBLER ASSY	9	7001-202-199	SENSOR SPACER
3	7000-006-000	FLAT DRAIN ADAPTER GASKET	10	7000-015-000	1-1/4" OD P-TRAP
4	0116-016-000	PHILLIPS TRUSS HEAD SCREW	11	0711-410-001	9V DC PLUG-IN TRANSFORMER
5	7000-005-199	DRAIN ADAPTER	12	7001-200-001	SOLENOID VALVE ASSY w/ MTG BRKT
6	7000-021-001	"Y" STAINER			

ITEM	PART NUMBER	DESCRIPTION	ITEM	PART NUMBER	DESCRIPTION
 <b>MURDOCK-SUPER SECUR</b> P.O. Box 3527 Industry, CA 91744 15125 Proctor Ave Industry, CA 91746 Phone: (800) 591-9880 www.murdock-supersecur.com		<b>TITLE</b> <b>SENSOR OPERATED CONTOURED DRINKING FOUNTAIN</b>			
<b>MANUFACTURE DATE</b> <b>AUGUST 2013</b> <b>TO PRESENT</b>			<b>DATE ISSUED</b> <b>08/09/13</b>		<b>DRAWING NUMBER</b> <b>9938-000-501</b>
			<b>DATE REVISED</b> <b>03/01/16</b>		



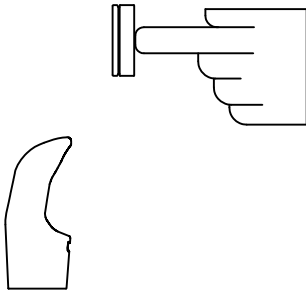
**INSTALLATION INSTRUCTIONS**

**STANDARD PUSH PAD / PUSH BUTTON DRINKING FOUNTAIN**

**CONDITION:**

**SOLUTION:**

**NO WATER FLOW:**



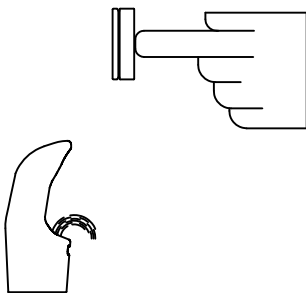
- 1.1 Check water main supply – open.
- 1.2 Inspect stop (by others) – open & no debris.
- 1.3 Inspect in–line strainer for debris – clean.
- 1.4 Replace valve cartridge.

**WATER DRIPS / WILL NOT SHUT OFF:**




- 2.1 For push pad activated drinking fountains only: Open fixture and move valve bracket assembly further back from push pad.
- 2.2 Replace valve cartridge.

**REDUCED WATER FLOW:**


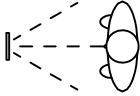


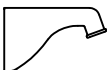
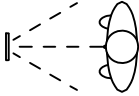


- 3.1 Adjust the valve flow rate. See appropriate fixture installation instructions.
- 3.2 Check water main supply for 20 psig minimum flow pressure.
- 3.3 Inspect stop (by others) – open & no debris.
- 3.4 Inspect in–line strainer for debris – clean.
- 3.5 Inspect bubbler for debris – clean.
- 3.6 Inspect all tubing for twists or kinks.
- 3.7 Replace valve cartridge.


 <p>MURDOCK–SUPER SECUR P.O. Box 3527 Industry, CA 91744 15125 Proctor Ave Industry, CA 91746 Phone: (800) 591–9880 www.murdock–supersecur.com</p>	<p>TITLE <b>DRINKING FOUNTAIN VALVE MAINTENANCE INSTRUCTIONS</b></p>		
	<p>MANUFACTURE DATE</p> <p><b>JANUARY 2006</b></p> <p><b>TO PRESENT</b></p>	<p>DATE ISSUED</p> <p><b>09/28/05</b></p> <hr/> <p>DATE REVISED</p> <p><b>03/02/16</b></p>	<p>DRAWING NUMBER</p> <p><b>9940-200-001</b></p>

### 9 VOLT DC SENSOR OPERATED VALVES

**NORMAL VALVE FUNCTION:** 9 Volt DC sensor operated valve has flow time of 90 seconds maximum. To reactivate, the user must move out of and return to the sensing area.

<b><i>CONDITION:</i></b> <b>WATER DOES NOT FLOW</b>		
 		
<b><i>INDICATORS:</i></b>	<b><i>PROBABLE CAUSE:</i></b>	<b><i>SOLUTION:</i></b>
Sensor flashes continuously every two seconds when hands are within range.	– Low battery warning.	– Replace battery.
Sensor does not flash when the users hands are within range.	– Circuit breaker tripped.	– Reset circuit breaker.
	– Battery completely used up.	– Replace battery.
	– Defective 9VDC transformer.	– Replace transformer.
	– Transformer polarity crossed.	– Replace transformer. (Sensor may be damaged & need replacement.)
	– Unit is in "Security Mode" after 90 seconds of constant detection.	– Remove sources of detection. Wait 30 seconds before checking.
	– Range is too short.	– Increase range.
	– Range is too long.	– Decrease range and wait 30 seconds.
	– Sensor is picking up a highly reflective surface.	– Eliminate cause of reflection. Wait 30 seconds before checking.
Sensor flashes once when the users hands are within range.	– Defective sensor.	– Replace sensor.
	– Stops or water main closed.	– Open stops or water main.
	– Bad sensor to solenoid connection.	– Ensure wires make proper contact.
	– Debris or scale in solenoid assembly.	– Remove solenoid, pull out plunger and spring, and clean with scale remover solution or pressurized air.
	– Debris or scale in diaphragm.	– Remove diaphragm and clean.
	– Debris or scale in strainer.	– Remove strainer and clean.
<b><i>CONDITION:</i></b> <b>WATER FLOWS CONTINUOUSLY</b>		
		
<b><i>INDICATORS:</i></b>	<b><i>PROBABLE CAUSE:</i></b>	<b><i>SOLUTION:</i></b>
Sensor flashes when users hands are within range.	– Debris or scale in diaphragm. – Diaphragm is defective or torn.	– Remove diaphragm and clean. – Replace diaphragm.
Sensor does not flash when the users hands are within range.	– Sensor is dirty or covered.	– Clean or uncover sensor and wait 30 seconds.
	– Range too long or Highly Reflective Surface, Sunlight, Bright Lights, etc. are Triggering Sensor.	– Decrease range and wait 30 seconds. – Eliminate cause of reflection or Correct Lighting Problem.
<b><i>CONDITION:</i></b> <b>WATER FLOWS CONTINUOUSLY BUT STOPS WHEN HANDS ARE WITHIN RANGE</b>		
  		
<b><i>INDICATORS:</i></b>	<b><i>PROBABLE CAUSE:</i></b>	<b><i>SOLUTION:</i></b>
Water runs continuously when sensor not activated. Sensor flashes when hands are within range and water shuts off.	– Solenoid polarity crossed.	– Disconnect solenoid and reverse polarity.

MINIMUM / MAXIMUM WATER PRESSURE (PSI) 30 / 100. MAXIMUM WATER TEMPERATURE 130°F.  
Refer to Acorn Operations And Maintenance Manual for installation instructions and repair parts.

 <b>MORRIS GROUP INTL</b> <small>P.O. BOX 3527 Industry, CA 91744 15125 Proctor Ave Industry, CA 91746 (626) 336-4561 FAX (626) 961-2200</small>	<b>TITLE</b> <b>9 VOLT DC SENSOR OPERATED VALVE MAINTENANCE INSTRUCTIONS -S0</b>		
	<b>MANUFACTURE DATE</b> <b>AUGUST 2001</b> <b>TO PRESENT</b>	<b>DATE ISSUED</b> <b>01/17/02</b>	<b>DRAWING NUMBER</b>  <b>9940-012-001</b>
		<b>DATE REVISED</b> <b>08/23/04</b>	