



# CONTEMPORARY DRINKING FOUNTAINS

## A132-VR Series

### MODEL A132400S-VR

BARRIER FREE, VANDAL RESISTANT, BI-LEVEL, WALL MOUNTED DRINKING FOUNTAIN WITH 32" TRIM PANEL

#### STANDARD FEATURES

- Child or Adult ADA Compliant (when properly installed)
- 18 gage, 304 Stainless Steel Basin and Flush Mounted Chrome Plated Brass Button
- Polished Stainless Steel, Vandal Resistant, Anti-Rotation, Non-Squirt Bubbler
- 100-Mesh Inlet Strainer
- Vandal Resistant Screws
- Integral P-Trap
- Mounting Plate with Hardware
- 32 Inch Trim Panel

#### SUGGESTED SPECIFICATIONS

Model A132400S-VR is a Vandal Resistant, Wall Mounted, Bi-Level Drinking Fountain made from 18 gage, 304 stainless steel with a brushed finish. Unit shall be activated by Chrome Plated Brass Pushbutton using less than 5 pounds of force. Bubblers shall be polished stainless steel with non-squirt features and operate on a water pressure range of 20-105 psig. Unit shall have a uniquely designed, two-piece contoured bowls with P-traps integral to the unit. Unit is certified to ANSI A117.1, Public Law 111-380 (NO-LEAD), CHSC 116875 and NSF/ANSI 61, Section 9. Fixture meets ADA, ADA Standing Person, and ADA Child requirements when mounted appropriately.



Model A132400S-VR Shown  
\*\* U.S. DESIGN PATENT D545,607 (Bowl Design)

**"INDOOR USE ONLY"**

#### MODEL:

(Must Specify)

##### FLEXIBLE BUBBLER (LOW FLOW)

- A132200F-VR Bronze Finish
- A132300F-VR Gold Finish (High Polish)
- A132400F-VR Satin stainless Finish

##### LEAD-FREE STAINLESS STEEL BUBBLER

- A132200S-VR Bronze Finish
- A132300S-VR Gold Finish (High Polish)
- A132400S-VR Satin stainless Finish (Shown)

#### OPTIONS

(additional costs may be incurred)

- AP3 Access panel for a dual fountain **(Must select -MF8)**
- W32-CSC Concealed support carrier
- HP High polished stainless steel
- MF8 Mounting frame for a dual fountain
- RBL Reverse bi-level
- SK4 Skirt kit, stainless steel, for upper unit
- WF1 1500 gallon capacity, NSF 42+53, 1 micron lead reduction filter

Complies with the following standards:



Federal Public Law 111-380 (No Lead)



Member of U.S. Green Building Council



Recyclable Product



Water Conserving Product

**WARNING:** Cancer and Reproductive Harm - [www.P65Warnings.ca.gov](http://www.P65Warnings.ca.gov)

MURDOCK MFG. • 15125 Proctor Avenue • City of Industry, CA 91746 USA  
Phone 800-453-7465 or 626-333-2543 • Fax 626-855-4860 • [www.murdockmfg.com](http://www.murdockmfg.com)

Member of MORRIS GROUP INTERNATIONAL

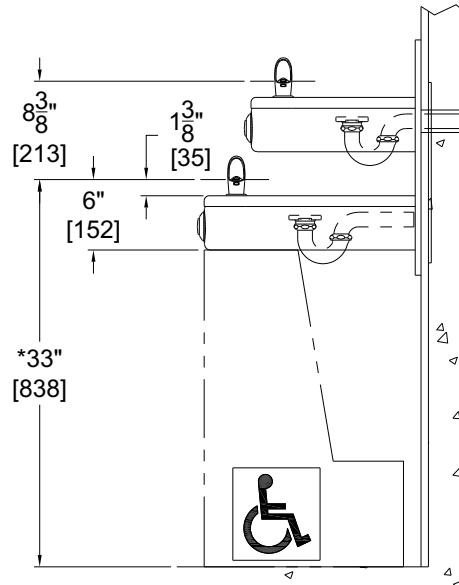
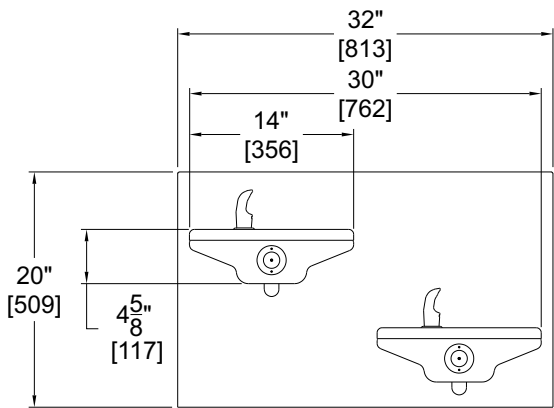
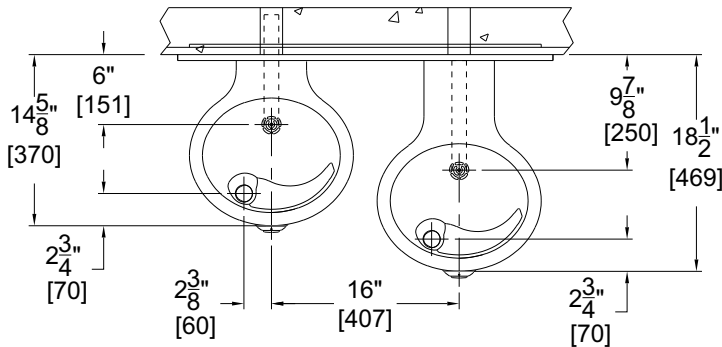


# CONTEMPORARY DRINKING FOUNTAINS

## A132-VR Series

### MODEL A132400S-VR

BARRIER FREE, VANDAL RESISTANT, BI-LEVEL, WALL MOUNTED DRINKING FOUNTAIN WITH 32" TRIM PANEL



**GENERAL NOTES:**

1. ALL DIMENSIONS ARE IN INCHES [MM].
- \*2. DIMENSIONS SHOWN ARE FOR RECOMMENDED ADULT HEIGHT. ADJUST VERTICAL DIMENSIONS AS NECESSARY TO COMPLY WITH FEDERAL, STATE, & LOCAL CODES.

Murdock Mfg.™ warrants that its products are free from defects in material or workmanship under normal use and service for a period of one year from date of shipment. Murdock's liability under this warranty shall be discharged solely by replacement or repair of defective material, provided Murdock™ is notified in writing within one year from date of shipment, F.O.B. Industry, California.

<b>SELECTION SUMMARY &amp; APPROVAL FOR MANUFACTURING</b>	Model Number & Options _____	Quantity _____	<p>All dimensions are subject to manufactures tolerance of plus or minus 1/2" nominal and subject to change without notice. Murdock assumes no responsibility for use of void or superseded data. Dimensions may change with the addition of optional accessories. Murdock Mfg.™, Member of Morris Group International™. Please visit <a href="http://www.murdockmfg.com">www.murdockmfg.com</a> for most current specifications.</p>
	Company _____		
	Contact _____	Title _____	
	Signature (Approval for Manufacturing) _____	Date _____	

**MURDOCK MFG.** • 15125 Proctor Avenue • City of Industry, CA 91746 USA  
 Phone 800-453-7465 or 626-333-2543 • Fax 626-855-4860 • [www.murdockmfg.com](http://www.murdockmfg.com)

Member of **MORRIS GROUP INTERNATIONAL**