



DRINKING FOUNTAIN

A151J Series

MODEL A151J00S

BARRIER FREE, CAST IRON
WALL MOUNTED DRINKING FOUNTAIN

STANDARD FEATURES

- Child or Adult ADA Compliant (when properly installed)
- Resistant to sunlight, heat, moisture and wear
- White enamel coated cast iron
- Polished stainless steel, lead-free, anti-rotation, non-squirt bubbler
- 100 mesh inlet strainer
- Vandal resistant screws and bottom plate
- Mounting plate and hardware provided
- P-trap

SUGGESTED SPECIFICATIONS

Model A151J00S is a wall mounted, vandal resistant drinking fountain. Unit shall be activated by a flush mounted push button which activates an internally mounted valve with an adjustable stream regulator controlling the water flow. Stainless steel bubbler shall be anti-rotational with integrally designed non-squirt feature and operate on water pressure range of 20-105 psig. Fountain is cast iron with a white enameled coating. Unit is certified to ANSI A117.1, Public Law 111-380 (NO-LEAD), CHSC 116875 and NSF/ANSI 61, Section 9. Fixture meets ADA, ADA Standing Person, and ADA Child requirements when mounted appropriately.



"INDOOR USE ONLY"

MODEL:

(Must Specify)

FLEXIBLE BUBBLER (LOW FLOW)

A151J00F White, Cast Iron

LEAD-FREE STAINLESS STEEL PUSHBUTTON

A151J00Q White, Cast Iron

LEAD-FREE STAINLESS STEEL BUBBLER

A151J00S White, Cast Iron (Shown)

OPTIONS

(additional costs may be incurred)

-CSC Concealed support carrier

Complies with the following standards:



Member of
U.S. Green
Building
Council



Recyclable
Product



Water
Conserving
Product

WARNING: Cancer and Reproductive Harm - www.P65Warnings.ca.gov

MURDOCK MFG. • 15125 Proctor Avenue • City of Industry, CA 91746 USA
Phone 800-453-7465 or 626-333-2543 • Fax 626-855-4860 • www.murdockmfg.com

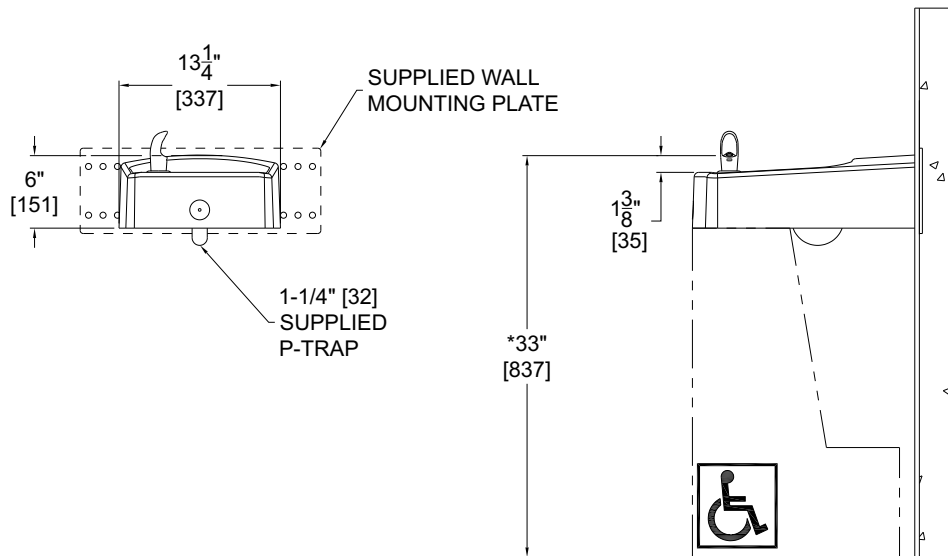
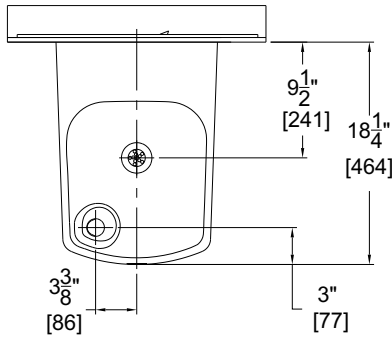
Member of
MORRIS GROUP
INTERNATIONAL



DRINKING FOUNTAIN

A151J Series MODEL A151J00S

BARRIER FREE, CAST IRON
WALL MOUNTED DRINKING FOUNTAIN



GENERAL NOTES:

1. ALL DIMENSIONS ARE IN INCHES [MM].
- *2. DIMENSIONS SHOWN ARE FOR RECOMMENDED ADULT HEIGHT. ADJUST VERTICAL DIMENSIONS AS NECESSARY TO COMPLY WITH FEDERAL, STATE, & LOCAL CODES.
3. STOP VALVE NOT PROVIDED.

Murdock Mfg.™ warrants that its products are free from defects in material or workmanship under normal use and service for a period of one year from date of shipment. Murdock's liability under this warranty shall be discharged solely by replacement or repair of defective material, provided Murdock™ is notified in writing within one year from date of shipment, F.O.B. Industry, California.

| | | | |
|---|--|----------------|--|
| SELECTION SUMMARY & APPROVAL FOR MANUFACTURING | Model Number & Options _____ | Quantity _____ | All dimensions are subject to manufactures tolerance of plus or minus 1/2" nominal and subject to change without notice. Murdock assumes no responsibility for use of void or superseded data. Dimensions may change with the addition of optional accessories. Murdock Mfg.™, Member of Morris Group International™. Please visit www.murdockmfg.com for most current specifications. |
| | Company _____ | | |
| | Contact _____ | Title _____ | |
| | Signature (Approval for Manufacturing) _____ | Date _____ | |
| | | | |

MURDOCK MFG. • 15125 Proctor Avenue • City of Industry, CA 91746 USA
Phone 800-453-7465 or 626-333-2543 • Fax 626-855-4860 • www.murdockmfg.com

Member of MORRIS GROUP INTERNATIONAL