

## A171-UG Series

### MODEL A171100F-UG

BARRIER FREE, WALL MOUNTED  
DRINKING FOUNTAIN

#### STANDARD FEATURES

- Child or Adult ADA Compliant (When Properly Installed)
- Apron and One-Piece Bottom Wrapper is Satin Finish Or Gray Powder Coat Finish
- Flexible, Low Flow, Anti-Microbial Anti-Rotation, Non-Squirt Bubbler
- 100-Mesh Inlet Strainer
- Hanging Bracket provided
- Auto-Stop Allows Cartridge And Strainer Service Without Shutting Off Water Supply Stop
- Lead-Free
- Rough-Ins Match Other Manufacturer's for Easy Replacement

#### SUGGESTED SPECIFICATIONS

Model A171100F-UG is a self-contained Drinking Fountain. Unit shall be activated from a front Pushbutton using less than 5 pounds of force. Bubbler shall deliver a 0.3 GPM flow, have a Flexible Guard with an integrally designed non-squirt feature and operate on a water pressure range of 20-105 PSIG. Basin shall be constructed from 304 Stainless Steel and have an Integral Drain. Cabinet shall be either Galvanized or Galvannealed Steel with Gray Powder Coat Finish or Stainless Steel with Satin Finish. Unit is certified to ANSI A117.1, Public Law 111-380 (NO-LEAD), CHSC 116875 and NSF/ANSI 61, Section 9. Fixture meets ADA, ADA Standing Person, and ADA Child requirements when mounted appropriately.



**"RATED FOR INDOOR USE"**

#### MODEL:

(Must Specify)

#### FLEXIBLE BUBBLER

- A171100F-UG Gray Finish (Standard Shown)
- A171400F-UG Satin Stainless Finish

#### STAINLESS STEEL BUBBLER

- A171100S-UG Gray Finish
- A171400S-UG Satin Stainless Finish

#### OPTIONS

(additional costs may apply)

- BP8 Back Panel, Stainless Steel
- CSC5 Concealed Support Carrier
- DD Drop Down Door (with -WF1 Only)
- GF1 Glass Filler with Lever Handle
- WF1 1500-Gallon Capacity, NSF 42+53, 1-Micron Lead Reduction Filter
- WF3 3000-Gallon Capacity, NSF 42+53, 1-Micron Lead Reduction Filter

Complies with the following standards:



NSF/ANSI 61



Federal Public Law 111-380 (No Lead)



Member of  
U.S. Green  
Building  
Council



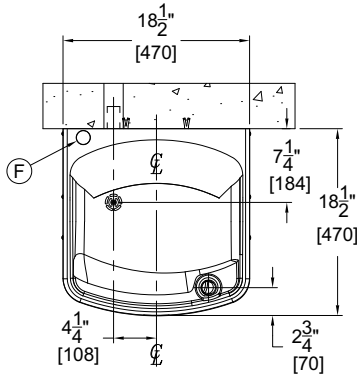
Recyclable  
Product



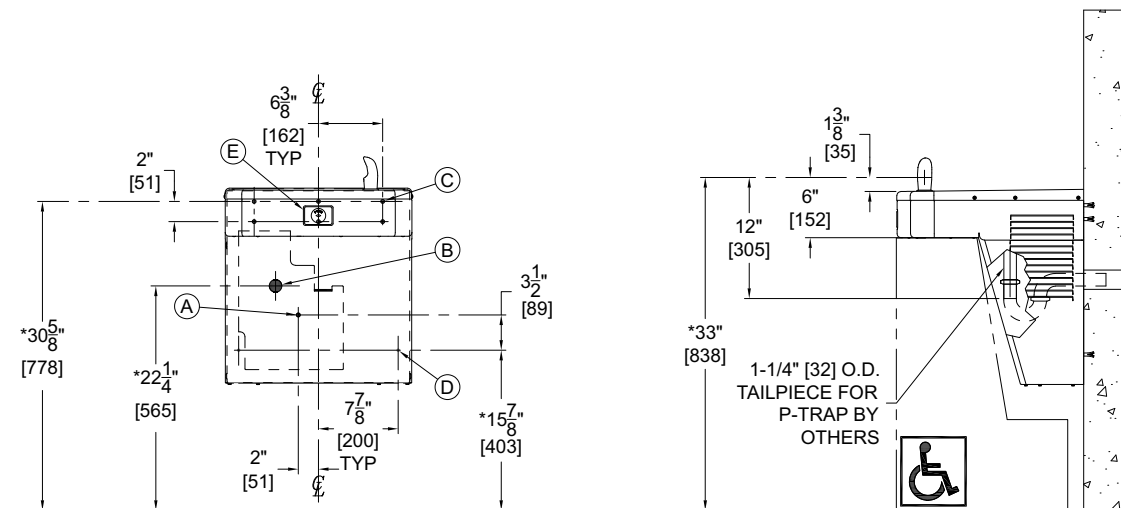
Water  
Conserving  
Product

 **WARNING: Cancer and Reproductive Harm - [www.P65Warnings.ca.gov](http://www.P65Warnings.ca.gov)**

**A171-UG Series**  
**MODEL A171100F-UG**  
BARRIER FREE, WALL MOUNTED  
DRINKING FOUNTAIN



- A. 3/8" O.D. SUPPLY INLET
- B. WASTE OUTLET FOR P-TRAP BY OTHERS FOR PROVIDED 1-1/4" O.D. TAILPIECE
- C. Ø3/8" HANGER BRACKET PUNCHING, 6 PLACES FOR ANCHORING HARDWARE BY OTHERS
- D. Ø1/4" PUNCHING, 2 PLACES FOR ANCHORING HARDWARE BY OTHERS
- E. PUSHBUTTON CARTRIDGE
- F. REMOVABLE PLUG FOR BOTTLE FILLER (-BF11 OR -BF12 ONLY)



GENERAL NOTES:

1. ALL DIMENSIONS ARE IN INCHES [MM]
- \*2. DIMENSIONS SHOWN ARE FOR ADA ADULT HEIGHT. ADJUST VERTICAL DIMENSIONS AS NECESSARY TO COMPLY WITH FEDERAL, STATE, & LOCAL CODES
3. STOP VALVE & P-TRAP, NOT SUPPLIED
4. IMPORTANT: DRINKING FOUNTAIN MUST BE ATTACHED TO WALL WITH APPROPRIATE ANCHOR SCREWS

Murdock Mfg.™ warrants that its products are free from defects in material or workmanship under normal use and service for a period of one year from date of shipment. Murdock's liability under this warranty shall be discharged solely by replacement or repair of defective material, provided Murdock™ is notified in writing within one year from date of shipment, F.O.B. Industry, California.

<b>SELECTION SUMMARY &amp; APPROVAL FOR MANUFACTURING</b>	Model Number & Options _____	Quantity _____	All dimensions are subject to manufactures tolerance of plus or minus 1/2" nominal and subject to change without notice. Murdock assumes no responsibility for use of void or superseded data. Dimensions may change with the addition of optional accessories. Murdock Mfg.™, Member of Morris Group International™. Please visit <a href="http://www.murdockmfg.com">www.murdockmfg.com</a> for most current specifications.
	Company _____		
	Contact _____	Title _____	
	Signature (Approval for Manufacturing) _____	Date _____	