



DRINKING FOUNTAIN

A192 Series

BARRIER FREE, BI-LEVEL, WALL MOUNTED DRINKING FOUNTAIN WITH 42" TRIM PANEL

STANDARD FEATURES

- Child or Adult ADA Compliant (when properly installed)
- 304 Stainless Steel Basin and Flush Mounted Chrome Plated Brass Button
- Polished Stainless Steel, Anti-Rotation, Non-Squirt Bubbler or Flexible Low Flow Bubbler
- 100-Mesh Inlet Strainer
- P-Trap
- Mounting Plate
- 42" Trim Panel



Model A192400S Shown

SUGGESTED SPECIFICATIONS

Model A192400S is a wall mounted, Bi-Level Drinking Fountain. Basin shall be constructed from 304 Stainless Steel and have an Integral Drain. Cabinet shall be made from 18 gage, 304 stainless steel with a brushed finish. Unit shall be activated by chrome plated brass Pushbutton using less than 5 pounds of force. Bubblers shall be polished stainless steel with non-squirt features and operate on a water pressure range of 20-105 PSIG. Unit shall have uniquely designed, two-piece contoured Bowls with P-Traps integral to the unit. Unit is certified to ANSI A117.1, Public Law 111-380 (NO-LEAD), CHSC 116875 and NSF/ANSI 61, Section 9. Fixture meets ADA, ADA Standing Person, and ADA Child requirements when mounted appropriately.

MODEL:

(Must Specify)

FLEXIBLE BUBBLER

A192400F Satin stainless finish

STAINLESS STEEL BUBBLER

A192400S Satin stainless finish (Shown)

OPTIONS

(additional costs may be incurred)

- RBL Reverse Bi-Level
- SK8 Skirt Kit for Upper Unit
- WF1 1500-Gallon Capacity, NSF 42+53, 1-Micron Lead Reduction filter
- WF3 3000 gallon capacity, NSF 42+53, 1 micron lead reduction filter

Complies with the following standards:



NSF/ANSI 61



Federal Public Law 111-380 (No Lead)



Member of U.S. Green Building Council



Recyclable Product



Water Conserving Product

WARNING: Cancer and Reproductive Harm - www.P65Warnings.ca.gov

MURDOCK MFG. • 15125 Proctor Avenue • City of Industry, CA 91746 USA
Phone 800-453-7465 or 626-333-2543 • Fax 626-855-4860 • www.murdockmfg.com

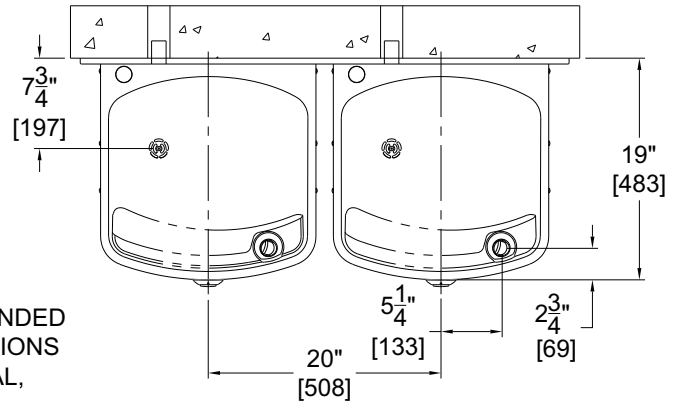
Member of MORRIS GROUP INTERNATIONAL



DRINKING FOUNTAIN

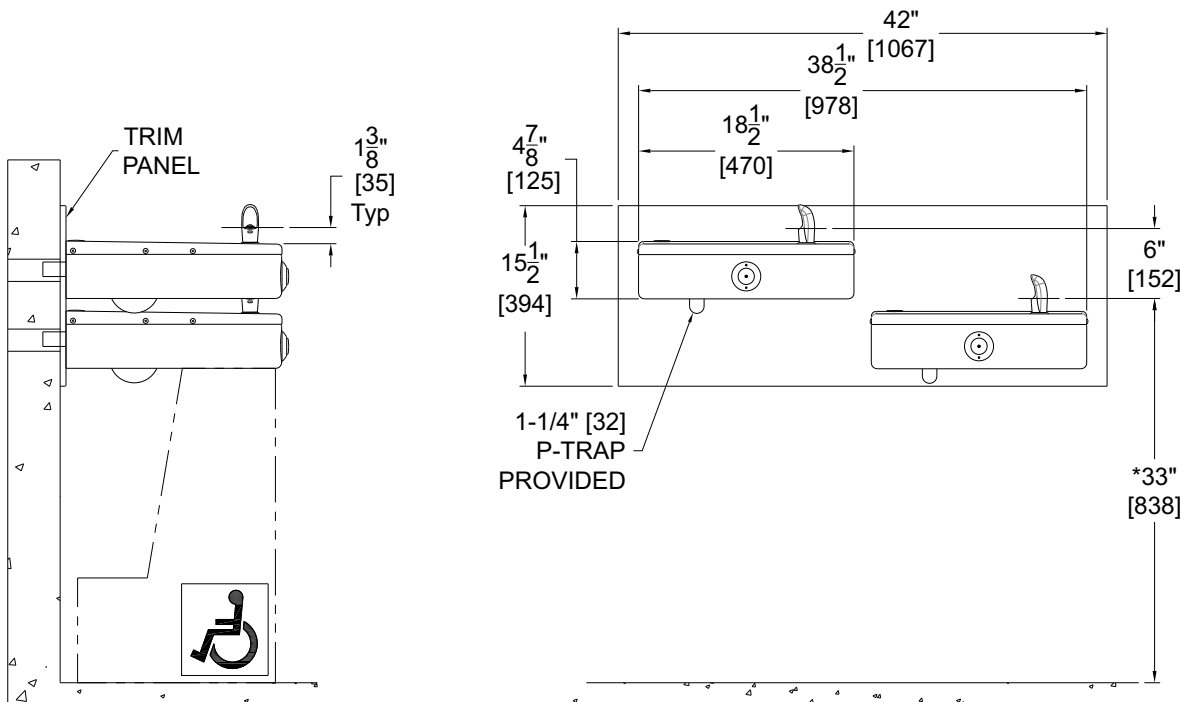
A192 Series

BARRIER FREE, BI-LEVEL, WALL MOUNTED DRINKING FOUNTAIN WITH 42" TRIM PANEL



GENERAL NOTES:

1. ALL DIMENSIONS ARE IN INCHES [MM]
- *2. DIMENSIONS SHOWN ARE FOR RECOMMENDED ADULT HEIGHT. ADJUST VERTICAL DIMENSIONS AS NECESSARY TO COMPLY WITH FEDERAL, STATE, & LOCAL CODES



Murdock Mfg.™ warrants that its products are free from defects in material or workmanship under normal use and service for a period of one year from date of shipment. Murdock's liability under this warranty shall be discharged solely by replacement or repair of defective material, provided Murdock™ is notified in writing within one year from date of shipment, F.O.B. Industry, California.

SELECTION SUMMARY & APPROVAL FOR MANUFACTURING

Model Number & Options _____ Quantity _____

Company _____

Contact _____ Title _____

Signature (Approval for Manufacturing) _____ Date _____

All dimensions are subject to manufactures tolerance of plus or minus 1/2" nominal and subject to change without notice. Murdock assumes no responsibility for use of void or superseded data. Dimensions may change with the addition of optional accessories. Murdock Mfg.™, Member of Morris Group International™. Please visit www.murdockmfg.com for most current specifications.