



DRINKING FOUNTAIN

A1I2J Series

MODEL A1I2J00S

BARRIER FREE, 2 STATION, CAST IRON WALL MOUNTED DRINKING FOUNTAIN

STANDARD FEATURES

- Child or Adult ADA Compliant (when properly installed)
- Resistant to sunlight, heat, moisture and wear
- White enamel coated cast iron fixtures
- Polished stainless steel, lead-free, anti-rotation, non-squirt bubbler
- 100 mesh inlet strainer
- Vandal resistant galvanized steel bottom plate and screws
- P-trap, 1-1/4" O.D.



"INDOOR USE ONLY"

SUGGESTED SPECIFICATIONS

Model A1I2J00S is a wall mounted, two (2) station drinking fountain made from cast iron with a white enamel coated finish. Unit shall be activated by side mounted, self-closing pushbutton valves, by using less than 5 pounds of force. Internally mounted adjustable stream regulators shall control the water flow. Bubblers shall be stainless steel with non-squirt features and operate on a water pressure range of 20-105 psig. Unit is certified to ANSI A117.1, ANSI/NSF 61.9 and Public Law 111-380. Fixture meets ADA, ADA Standing Person, and ADA Child requirements when mounted appropriately.

MODEL:

(Must Specify)

FLEXIBLE BUBBLER (LOW FLOW)

A1I2J00F White, Cast Iron

LEAD-FREE STAINLESS STEEL PUSHBUTTON

A1I2J00Q White, Cast Iron

LEAD-FREE STAINLESS STEEL BUBBLER

A1I2J00S White, Cast Iron (Shown)



Member of
U.S. Green
Building
Council



Recyclable
Product



Water
Conserving
Product

Please visit www.murdockmfg.com
for most current specifications.

Complies
with the
following
standards:



Federal
Public Law
111-380
(No Lead)



MURDOCK MFG. • 15125 Proctor Avenue • City of Industry, CA 91746 USA
Phone 800-453-7465 or 626-333-2543 • Fax 626-855-4860 • www.murdockmfg.com

Member of
MORRIS GROUP
INTERNATIONAL

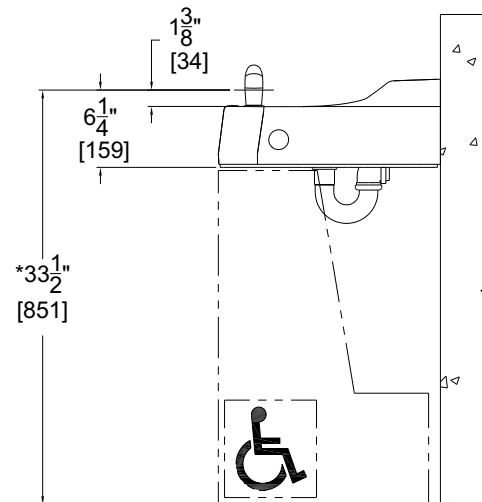
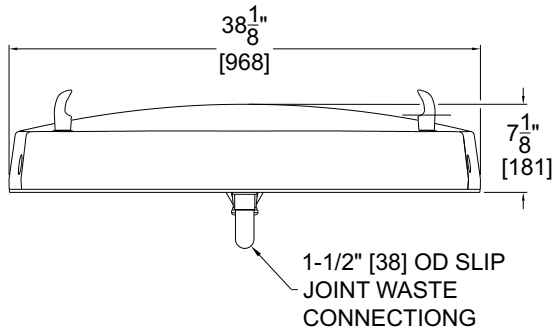
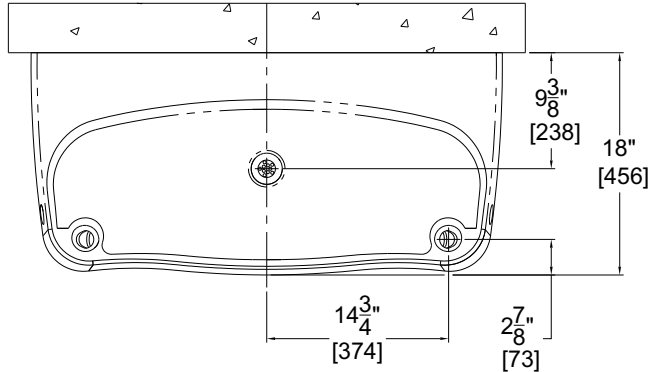


DRINKING FOUNTAIN

All dimensions are subject to manufactures tolerance of plus or minus 1/8" nominal and subject to change without notice. Murdock Mfg. assumes no responsibility for use of void or superseded data. Dimensions may change with the addition of optional accessories. Murdock Mfg.™, Member of Morris Group International™. Please visit www.Murdockmfg.com for most current specifications.

A112J Series MODEL A112J00S

BARRIER FREE, 2 STATION, CAST IRON
WALL MOUNTED DRINKING FOUNTAIN



GENERAL NOTES:

1. ALL DIMENSIONS ARE IN INCHES [MM].
- *2. DIMENSIONS SHOWN ARE FOR RECOMMENDED ADULT HEIGHT, ADJUST VERTICAL DIMENSIONS AS NECESSARY TO COMPLY WITH FEDERAL, STATE & LOCAL CODES.
3. STOP VALVE NOT PROVIDED.

Murdock Mfg.™ warrants that its products are free from defects in material or workmanship under normal use and service for a period of one year from date of shipment. Murdock's liability under this warranty shall be discharged solely by replacement or repair of defective material, provided Murdock™ is notified in writing within one year from date of shipment, F.O.B. Industry, California.

SELECTION SUMMARY & APPROVAL FOR MANUFACTURING	Model Number & Options _____	Quantity _____	All dimensions are subject to manufactures tolerance of plus or minus 1/8" nominal and subject to change without notice. Murdock assumes no responsibility for use of void or superseded data. Dimensions may change with the addition of optional accessories. Murdock Mfg.™, Member of Morris Group International™. Please visit www.murdockmfg.com for most current specifications.
	Company _____		
	Contact _____	Title _____	
	Signature (Approval for Manufacturing) _____	Date _____	

MURDOCK MFG. • 15125 Proctor Avenue • City of Industry, CA 91746 USA
Phone 800-453-7465 or 626-333-2543 • Fax 626-855-4860 • www.murdockmfg.com

Member of
MORRIS GROUP INTERNATIONAL