



# CONTEMPORARY DRINKING FOUNTAINS

## A421-VR Series

BARRIER FREE, VANDAL RESISTANT,  
WALL MOUNTED DRINKING FOUNTAIN

### STANDARD FEATURES

- Child or Adult ADA Compliant (when properly installed)
- 18 gage, 304 Stainless Steel Basin and Flush Mounted Chrome Plated Brass Button
- Polished Stainless Steel, Vandal Resistant, Anti-Rotation, Non-Squirt Bubbler
- 100-Mesh Inlet Strainer
- Vandal resistant screws
- Integral P-trap
- Mounting plate with hardware

### SUGGESTED SPECIFICATIONS

Model A421400S-VR is a Vandal Resistant, Wall Mounted Drinking Fountain made from 18 gage, 304 stainless steel with a brushed finish. Unit shall be activated by Chrome Plated Brass Pushbutton using less than 5 pounds of force. Bubbler shall be polished stainless steel with a non-squirt feature and operate on a water pressure range of 20-105 psig. Unit shall have a uniquely designed, two-piece contoured bowl with P-trap integral to the unit. Unit is certified to ANSI A117.1, Public Law 111-380 (NO-LEAD), CHSC 116875 and NSF/ANSI 61, Section 9. Fixture meets ADA, ADA Standing Person, and ADA Child requirements when mounted appropriately.



**"RATED FOR INDOOR AND OUTDOOR USE"**

### MODEL:

(Must Specify)

#### FLEXIBLE BUBBLER (LOW FLOW)

- A421200F-VR Bronze Finish
- A421300F-VR Gold Finish (High Polish)
- A421400F-VR Satin stainless Finish

#### LEAD-FREE STAINLESS STEEL BUBBLER

- A421200S-VR Bronze Finish
- A421300S-VR Gold Finish (High Polish)
- A421400S-VR Satin stainless Finish (Shown)

### OPTIONS

(additional costs may be incurred)

- AD1 Access door
- AP1 Access panel for a single fountain
- BP2 Back panel for single contoured fountain
- CSC Concealed support carrier
- FRA1 Freeze resistant valve (Chase mounted)
- HP High polished stainless steel
- MF1 Mounting frame for a single fountain
- SO Sensor Operated (Indoor use only)

Complies with the following standards:



Member of U.S. Green Building Council



Recyclable Product



Water Conserving Product

**WARNING:** Cancer and Reproductive Harm - [www.P65Warnings.ca.gov](http://www.P65Warnings.ca.gov)

**MURDOCK MFG.** • 15125 Proctor Avenue • City of Industry, CA 91746 USA  
Phone 800-453-7465 or 626-333-2543 • Fax 626-855-4860 • [www.murdockmfg.com](http://www.murdockmfg.com)

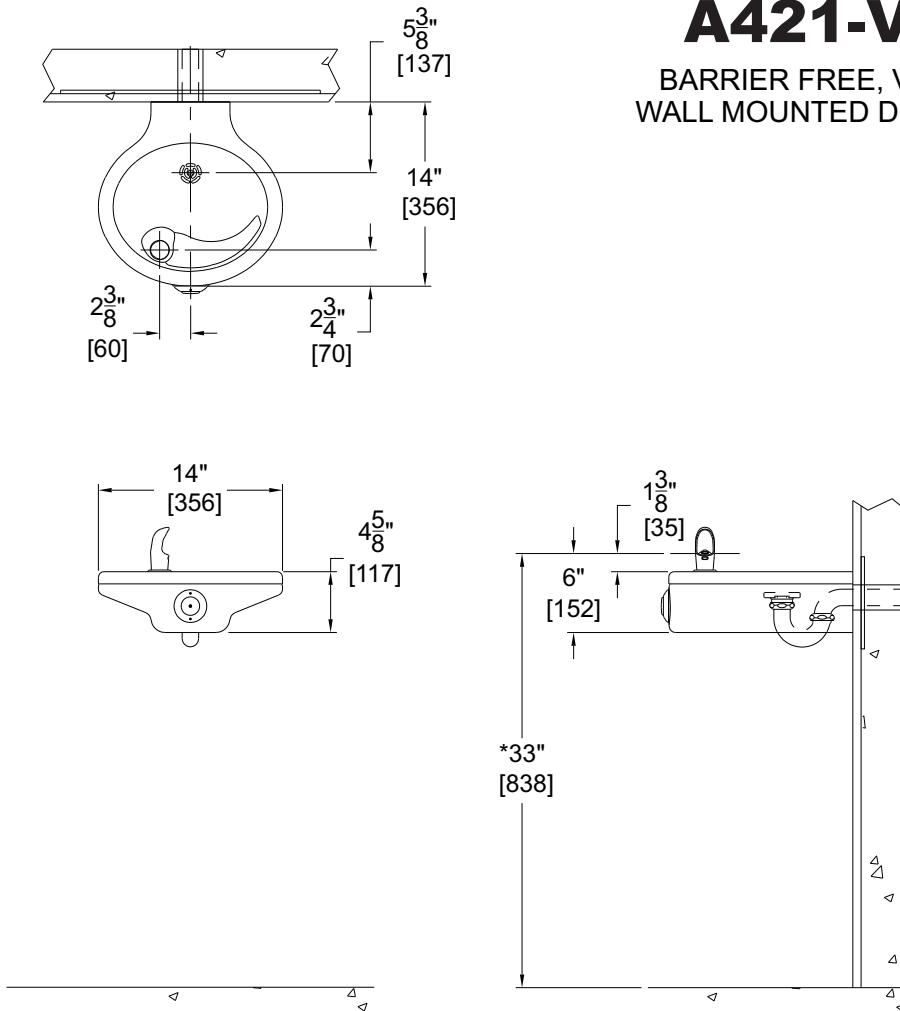
Member of **MORRIS GROUP INTERNATIONAL**



# CONTEMPORARY DRINKING FOUNTAINS

## A421-VR Series

BARRIER FREE, VANDAL RESISTANT  
WALL MOUNTED DRINKING FOUNTAIN




**GENERAL NOTES:**

1. ALL DIMENSION ARE IN INCHES [MM]
- \*2. DIMENSION SHOWN ARE FOR RECOMMENDED ADULT HEIGHT  
ADJUST VERTICAL DIMENSIONS AS NECESSARY TO COMPLY  
WITH FEDERAL, STATE, & LOCAL CODES

*Murdock Mfg.™ warrants that its products are free from defects in material or workmanship under normal use and service for a period of one year from date of shipment. Murdock's liability under this warranty shall be discharged solely by replacement or repair of defective material, provided Murdock™ is notified in writing within one year from date of shipment, F.O.B. Industry, California.*

<b>SELECTION SUMMARY &amp; APPROVAL FOR MANUFACTURING</b>	Model Number & Options _____	Quantity _____	<p><small>All dimensions are subject to manufactures tolerance of plus or minus 1/2" nominal and subject to change without notice. Murdock assumes no responsibility for use of void or superseded data. Dimensions may change with the addition of optional accessories. Murdock Mfg.™, Member of Morris Group International™. Please visit <a href="http://www.murdockmfg.com">www.murdockmfg.com</a> for most current specifications.</small></p>
	Company _____		
	Contact _____	Title _____	
	Signature (Approval for Manufacturing) _____	Date _____	

**MURDOCK MFG.** • 15125 Proctor Avenue • City of Industry, CA 91746 USA  
Phone 800-453-7465 or 626-333-2543 • Fax 626-855-4860 • [www.murdockmfg.com](http://www.murdockmfg.com)

Member of  MORRIS GROUP INTERNATIONAL