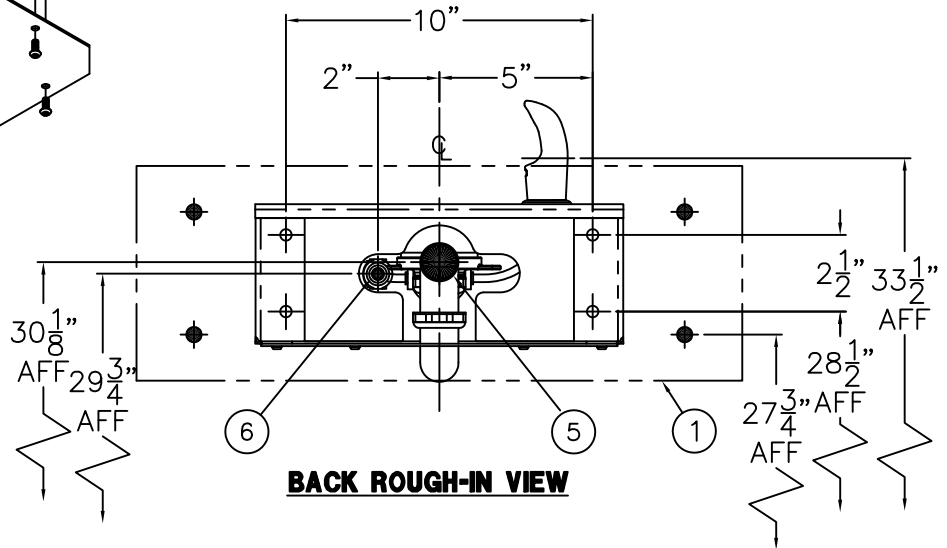
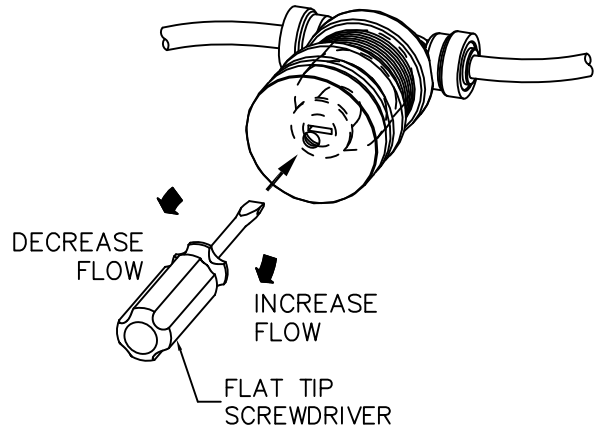
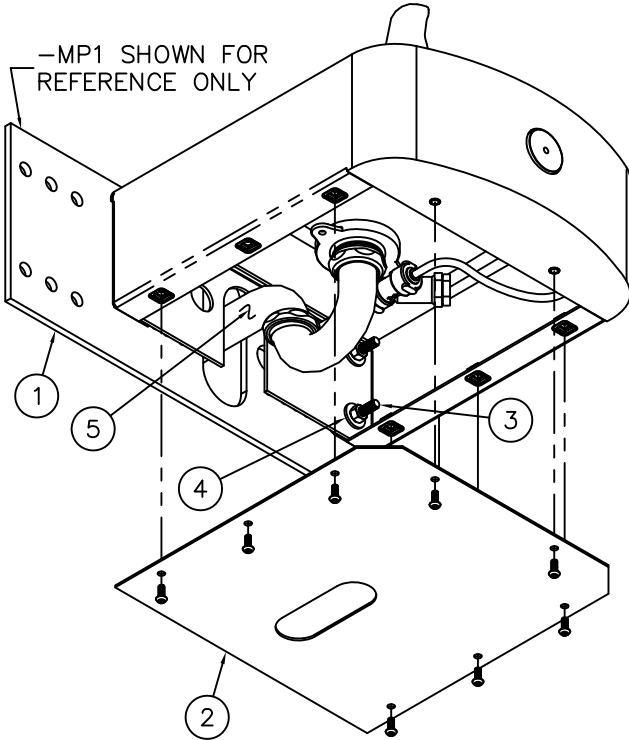




**DETAIL A
FLOW ADJUSTMENT**



BACK ROUGH-IN VIEW

INSTALLATION INSTRUCTIONS:

REFER TO APPROPRIATE MOUNTING PLATE SHEET TO INSTALL WALL MOUNTING PLATE CORRECTLY.

- A-ROUGH-IN WASTE AND SUPPLY LINES DURING -MP1 (1) INSTALLATION OR PRIOR TO MOUNTING FIXTURE.
- B-CAREFULLY REMOVE FIXTURE FROM PACKING MATERIAL AND COVER TO PREVENT SCRATCHING OR DAMAGE.
- C-SEPARATE BASIN ASSEMBLY (2) FROM HOUSING AND INSPECT FIXTURE TO ENSURE ALL TUBING CONNECTIONS, BUBBLERS AND PUSHBUTTONS HAVE NOT BECOME LOOSE DURING SHIPPING. CORRECT IF NECESSARY.
- D-ALIGN FIXTURE MOUNTING POINTS WITH STUDS (3) AND SLIDE FIXTURE TO FINISHED WALL. FIX WITH NUTS AND WASHERS PROVIDED (4).

- E-MAKE UP CONNECTIONS TO 1-1/4" OD WASTE TRAP ASSEMBLY (5) PROVIDED.
- F-FLUSH SUPPLY LINES THOROUGHLY BEFORE CONNECTING SUPPLY INLETS (6).
- G-TEST OPERATION OF BUBBLERS BY DEPRESSING BUTTONS AND ADJUST THE FLOW RATE AS REQUIRED. SEE DETAIL A. CHECK ALL CONNECTIONS AND WASTE PIPING FOR LEAKS. CORRECT IF PRESENT.
- H-INSTALL BASIN ASSEMBLY (2) TO COMPLETE THE INSTALLATION.

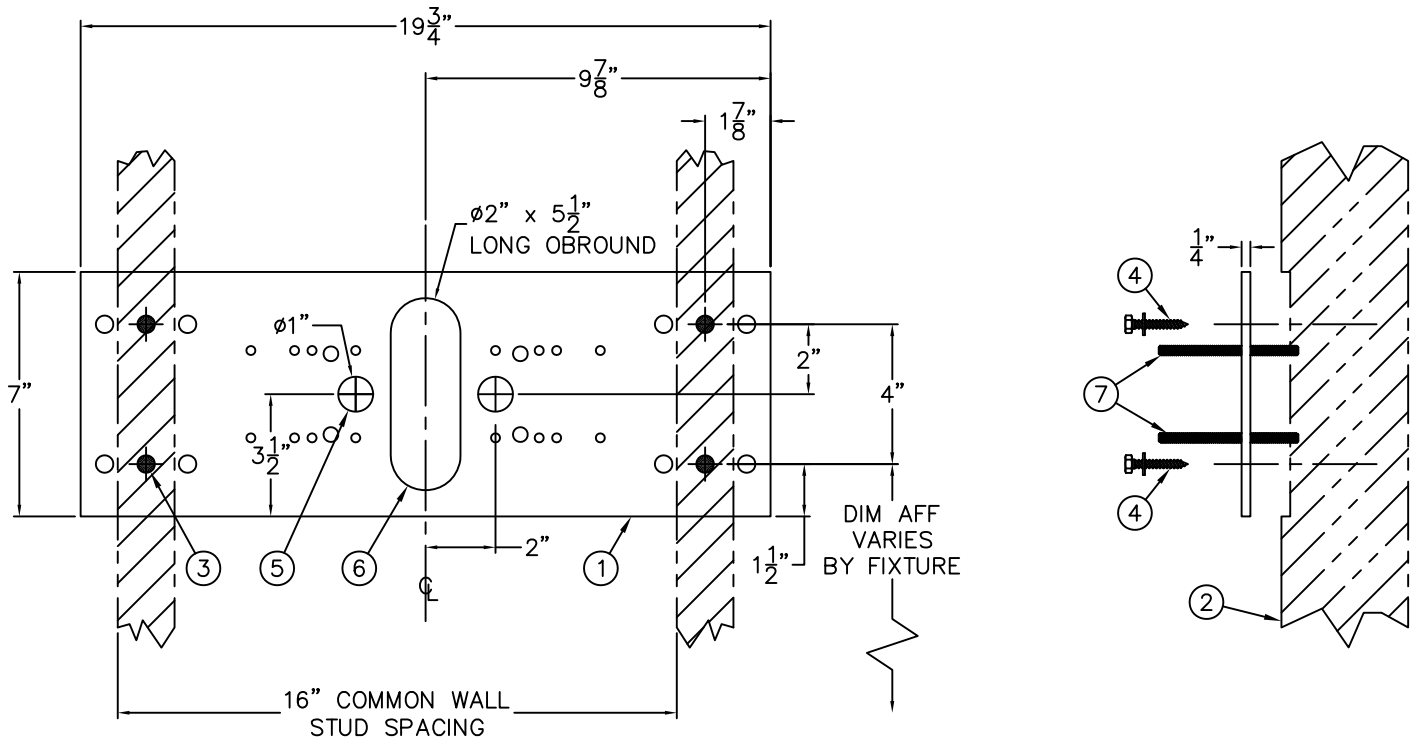
<p>MURDOCK-SUPER SECUR P.O. Box 3527 Industry, CA 91744 15125 Proctor Ave Industry, CA 91746 Phone: (800) 591-9880 www.murdock-supersecur.com</p>	<p>TITLE OVAL BOX WALL MOUNTED 14" LONG DRINKING FOUNTAIN, -FG</p>	
	<p>MANUFACTURE DATE JANUARY 2006 TO PRESENT</p>	<p>DATE ISSUED 09/27/05</p> <p>DATE REVISED 03/03/16</p>



INSTALLATION INSTRUCTIONS

DRINKING FOUNTAIN

ROUGH-IN FOR 3/8" OD PUSH-IN SUPPLY INLET, STRAIGHT STOP RECOMMENDED. *1/4" NCT x 2" LONG TUBE STUB OUT PROVIDED.
ROUGH-IN FOR 1-1/4" OD P-TRAP WASTE OUTLET.

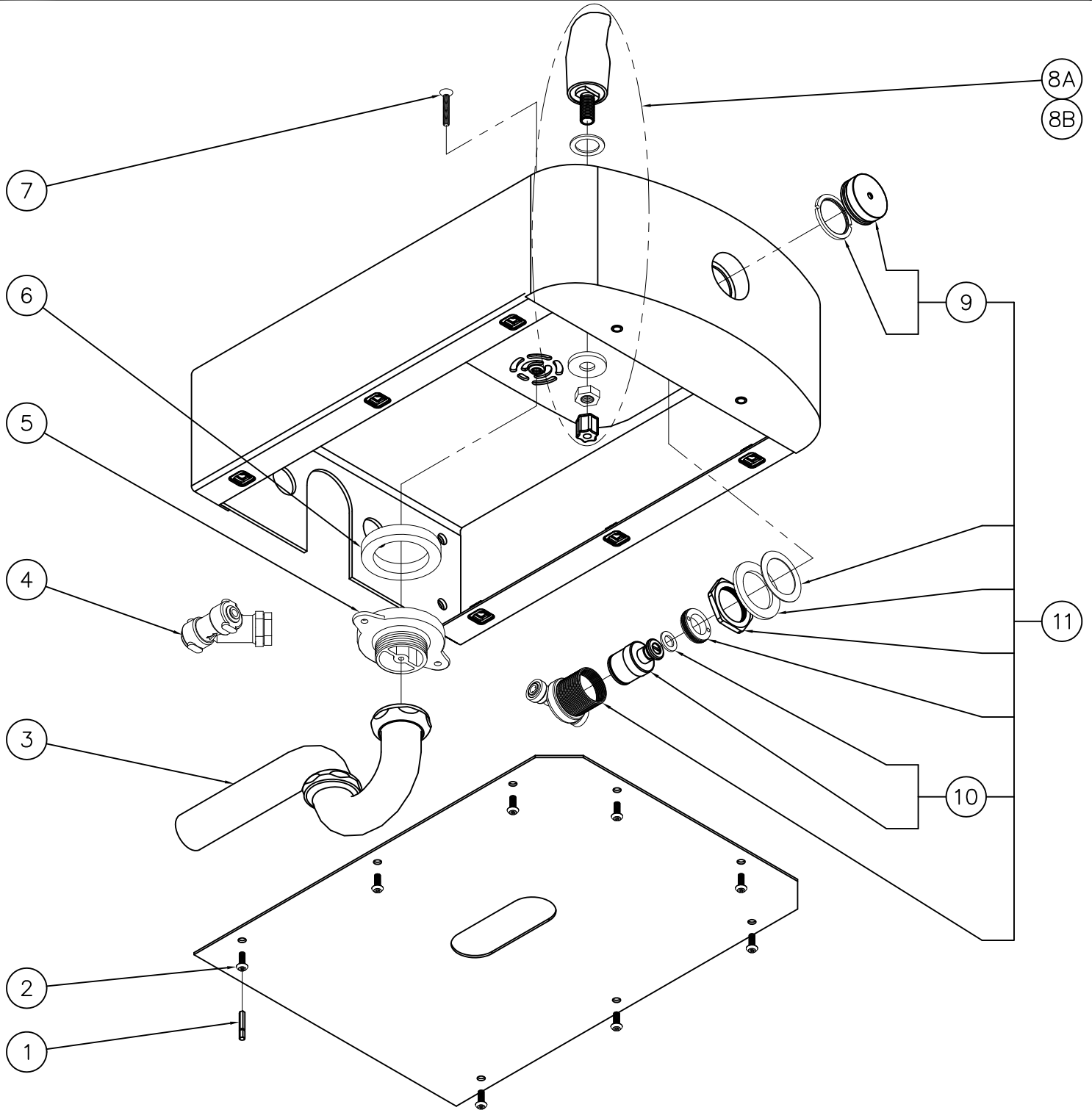


INSTALLATION INSTRUCTIONS:

- A-PLATE ① INTENDED TO BE RECESSED FLUSH WITH SUPPORT FRAMING ② PROVIDED BY INSTALLER. FRAME & BLOCK OUT SUPPORT USING DIMENSIONS SHOWN. FRAME SHOULD SUPPORT 300 LBS MINIMUM.
- B-MOUNTING PLATE ① IS 1/4" THICK AND INCLUDES 12, 1/2" DIAMETER PUNCHING FOR ANCHORING HARDWARE BY OTHERS.
- C-STRIKE A HORIZONTAL CHALK LINE TO LOCATE BOTTOM MOUNTING HOLES ③. REFERENCE DISCHARGE HEIGHT REQUIREMENTS FOR YOUR MODEL AND FACILITY TO DETERMINE CORRECT HEIGHT AT FINISHED FLOOR (AFF).

- D-AFTER POSITIONING PLATE CORRECTLY, FIX PLATE TO WALL USING APPROPRIATE, INSTALLER PROVIDED ANCHORING HARDWARE ④.
- E-MAKE UP APPROPRIATE SUPPLY ⑤ AND WASTE ⑥ ROUGHS THROUGH MOUNTING PLATE OPENINGS. A STRAIGHT SUPPLY STOP IS RECOMMENDED.
- F-REFER TO FIXTURE INSTALLATION SHEETS TO LOCATE 5/16" THREADED STUDS MOUNTING HARDWARE AND THREAD STUDS ⑦ THRU PLATE SO THAT A MINIMUM OF 1-1/4" OF THREAD PROJECTS BEYOND THE FINISHED WALL MATERIAL.
- G-PROTECT THREADED STUDS ⑦, SUPPLY ⑤ AND WASTE ⑥ ROUGHS WHILE FINISHING WALL.

<p>MURDOCK-SUPER SECUR P.O. Box 3527 Industry, CA 91744 15125 Proctor Ave Industry, CA 91746 Phone: (800) 591-9880 www.murdock-supersecur.com</p>	<p>TITLE -MP1 WALL MOUNTING PLATE</p>	
	<p>MANUFACTURE DATE JANUARY 2006 TO PRESENT</p>	<p>DATE ISSUED 09/28/05</p> <p>DATE REVISED 03/02/16</p>



1	0296-025-199	CENTER REJECT HEX DRIVER BIT	7	0152-010-000	CENTER REJECT ALLEN FLAT HEAD SCREW
2	0112-002-000	CENTER REJECT ALLEN BUTTON HEAD SCREW	8A	7000-012-001	STAINLESS STEEL BUBBLER
3	7000-015-000	1-1/4" OUTER DIAMETER P-TRAP	8B	7000-099-002	FLEXIBLE BUBBLER ASSEMBLY
4	7000-021-001	"Y" STRAINER	9	7000-068-001	RETAINING RING & BUTTON ASSEMBLY
5	7000-005-199	DRAIN ADAPTER	10	7000-069-001	VALVE CARTRIDGE WITH FOAM WASHER
6	7000-006-000	FLAT DRAIN ADAPTER GASKET	11	7000-065-001	RECESSED PUSHBUTTON VALVE ASSEMBLY
ITEM	PART NUMBER	DESCRIPTION	ITEM	PART NUMBER	DESCRIPTION



MURDOCK-SUPER SECUR
P.O. Box 3527 Industry, CA 91744
15125 Proctor Ave Industry, CA 91746
Phone: (800) 591-9880
www.murdock-supersecur.com

TITLE **14 GAGE OVAL BOX DRINKING FOUNTAIN**

MANUFACTURE DATE
JANUARY 2006
TO PRESENT

DATE ISSUED
10/21/05
DATE REVISED
03/04/16

DRAWING NUMBER
9938-020-500

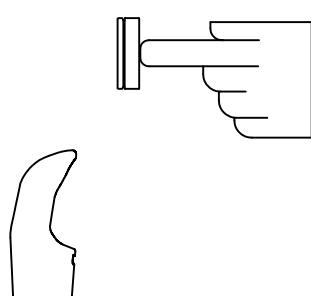

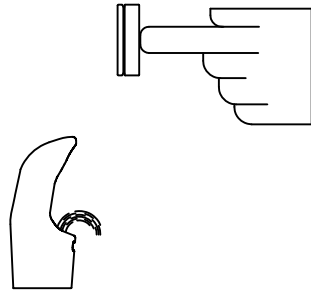



INSTALLATION INSTRUCTIONS

STANDARD PUSH PAD / PUSH BUTTON DRINKING FOUNTAIN

CONDITION:

SOLUTION:

<p>NO WATER FLOW:</p> 	<ol style="list-style-type: none"> 1.1 Check water main supply – open. 1.2 Inspect stop (by others) – open & no debris. 1.3 Inspect in–line strainer for debris – clean. 1.4 Replace valve cartridge.
<p>WATER DRIPS / WILL NOT SHUT OFF:</p> 	<ol style="list-style-type: none"> 2.1 For push pad activated drinking fountains only: Open fixture and move valve bracket assembly further back from push pad. 2.2 Replace valve cartridge.
<p>REDUCED WATER FLOW:</p> 	<ol style="list-style-type: none"> 3.1 Adjust the valve flow rate. See appropriate fixture installation instructions. 3.2 Check water main supply for 20 psig minimum flow pressure. 3.3 Inspect stop (by others) – open & no debris. 3.4 Inspect in–line strainer for debris – clean. 3.5 Inspect bubbler for debris – clean. 3.6 Inspect all tubing for twists or kinks. 3.7 Replace valve cartridge.

 <p>MURDOCK-SUPER SECUR P.O. Box 3527 Industry, CA 91744 15125 Proctor Ave Industry, CA 91746 Phone: (800) 591-9880 www.murdock-supersec.com</p>	<p>TITLE DRINKING FOUNTAIN VALVE MAINTENANCE INSTRUCTIONS</p>		
<p>MANUFACTURE DATE JANUARY 2006 TO PRESENT</p>	<p>DATE ISSUED 09/28/05</p> <p>DATE REVISED 03/02/16</p>	<p>DRAWING NUMBER 9940-200-001</p>	