

A611.8 Series

MODEL A611108F-G

FREE STANDING
WATER COOLER

STANDARD FEATURES

- Granite Powder Coated Cabinet
- Flexible, Anti-Rotation, Non-Squirt Bubbler
- 100-Mesh Inlet Strainer
- Vandal Resistant Screws



Model A611108F-G Shown

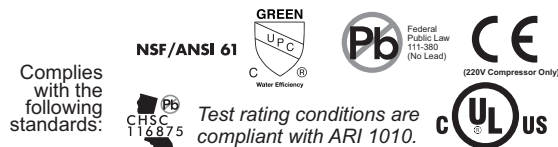
"INDOOR USE ONLY"

SUGGESTED SPECIFICATIONS

Model A611108F is a self-contained, pressurized water cooler that shall deliver a minimum of **8.0 GPH** (30.3 LPH) of water at 50°F (10°C) cooled from 80°F (26.7°C) inlet water and 90°F (32.2°C) ambient. Unit shall be activated by a self-closing Pushbutton which activates an internally mounted Valve with an adjustable stream regulator controlling the water flow. Bubbler shall deliver a 0.3 GPM flow, have a Flexible Guard with an integrally designed Non-Squirt feature and operate on a water pressure range of 20-105 PSIG. Basin shall be constructed from 304 Stainless Steel and have an Integral Drain. Cabinet shall be either galvanized or galvanized steel with Gray Powder Coat or stainless steel. Cooling system shall use R-134a Refrigerant and be Capillary Tube regulated. An adjustable Thermostat with an off position shall regulate the refrigeration system. Unit shall be listed by Underwriters Laboratories for both the US and Canada and is compliant to the Air Conditioning and Refrigeration Institute Standard 1010. Unit is certified to ANSI A117.1, Public Law 111-380 (NO-LEAD), CHSC 116875 and NSF/ANSI 61, Section 9. Fixture meets requirements for ADA Standing Person.

Model Number	GPH*	Rated Watts	Full Load Amps	Approx. Shipping Weight
A611108F	8.0	400	4.8	70 lbs.

* GPH of 50°F water at 90°F ambient room temperature and 80°F inlet water temperature
Compressor motor operates on 115 Volt / 60 Hz single phase.



MODEL:

(Must Specify)

FLEXIBLE BUBBLER (LOW FLOW)

- A611108F-G Gray Finish (Shown)
- A611408F Satin Stainless Finish

LEAD-FREE STAINLESS STEEL PUSHBUTTON

- A611108Q-G Gray Finish
- A611408Q Satin Stainless Finish

LEAD-FREE STAINLESS STEEL BUBBLER

- A611108S-G Gray Finish
- A611408S Satin Stainless Finish

OPTIONS

(additional costs may be incurred)

- EB4 Enclosed Back
- FPO Foot Pedal
- GF1 Glass Filler
- HGF Hot Water Glass Filler
- WF1 1500-Gallon Capacity, NSF 42+53, 1-Micron Lead Reduction Filter
- 220V 220 volt / 50 Hz compressor

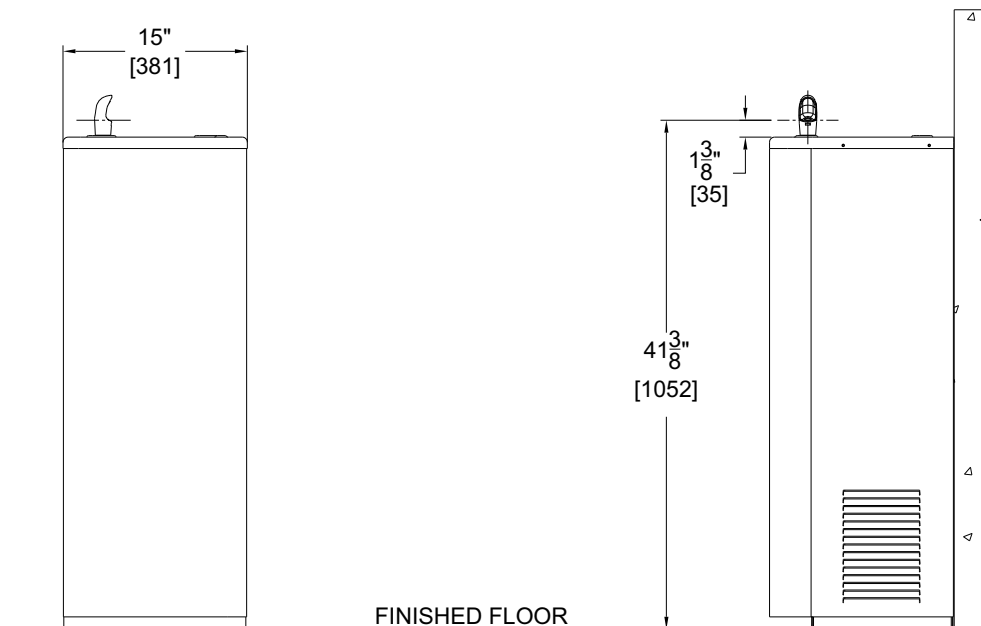
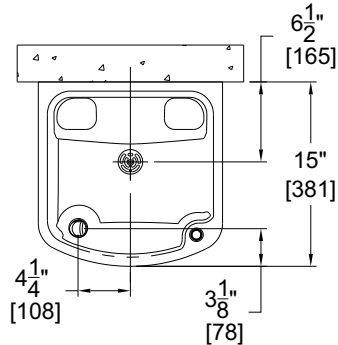


WARNING: Cancer and Reproductive Harm - www.P65Warnings.ca.gov

A611.8 Series

MODEL A611108F-G

**FREE STANDING
WATER COOLER**



FINISHED FLOOR

GENERAL NOTES:

1. ALL DIMENSIONS ARE IN INCHES [MM]
2. ALLOW 4 INCHES [102 MM] MINIMUM CLEARANCE PER LEFT AND RIGHT SIDE FOR VENTILATION
3. STOP VALVE, P-TRAP, & ELECTRICAL OUTLET NOT SUPPLIED.

Murdock Mfg.™ warrants that its products are free from defects in material or workmanship under normal use and service for a period of one year from date of shipment. Murdock's liability under this warranty shall be discharged solely by replacement or repair of defective material, provided Murdock™ is notified in writing within one year from date of shipment, F.O.B. Industry, California.

SELECTION SUMMARY & APPROVAL FOR MANUFACTURING	Model Number & Options _____	Quantity _____	All dimensions are subject to manufactures tolerance of plus or minus 1/2" nominal and subject to change without notice. Murdock assumes no responsibility for use of void or superseded data. Dimensions may change with the addition of optional accessories. Murdock Mfg.™, Member of Morris Group International™. Please visit www.murdockmfg.com for most current specifications.
	Company _____		
	Contact _____	Title _____	
	Signature (Approval for Manufacturing) _____	Date _____	