



# DRINKING FOUNTAIN

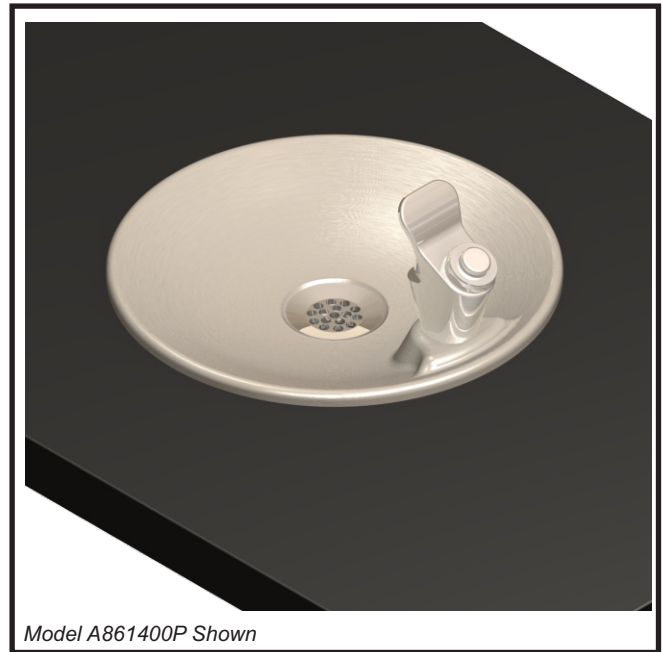
## A861 Series Deck Mounted Drinking Fountain Model A861400P

### STANDARD FEATURES

- 18 gage, 304 stainless steel
- Polished chrome plated brass, anti-rotation, non-squirt pushbutton bubbler
- Vandal-resistant screws
- Mounting plate with hardware

### SUGGESTED SPECIFICATIONS

Model A861400P is a deck mounted, drinking fountain made from 18 gage, 304 stainless steel with a brushed finish. Unit shall be activated by a self-closing, pushbutton polished chrome plated brass bubbler with a non-squirt feature and operates on a water pressure range of 20-105 PSIG. Unit is certified to ANSI A117.1, ANSI/NSF 61.9 and Public Law 111-380.



Model A861400P Shown

**"INDOOR USE ONLY"**

### MODEL:

*(Must Specify)*

- A861400P Chrome Plated Brass Pushbutton Bubbler
- A861400F Flexible Bubbler With A Pushbutton Cartridge Assembly
- A861400S Stainless Steel Bubbler With A Pushbutton Cartridge Assembly

### OPTIONS

*(additional costs may be incurred)*

- PT1 P-trap, 1-1/4" O.D.

Complies with the following standards:



Member of U.S. Green Building Council



Recyclable Product



Water Conserving Product

**WARNING:** Cancer and Reproductive Harm - [www.P65Warnings.ca.gov](http://www.P65Warnings.ca.gov)

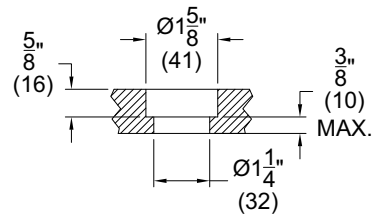
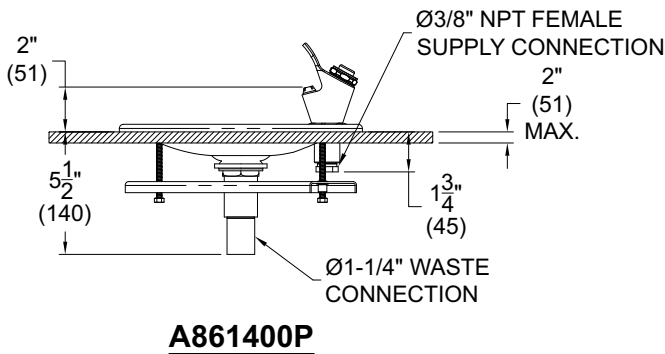
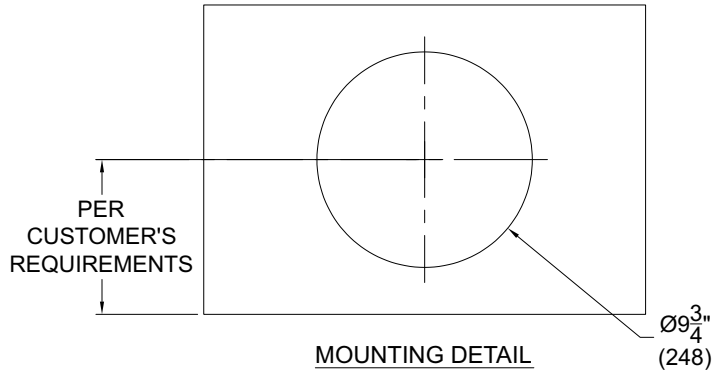
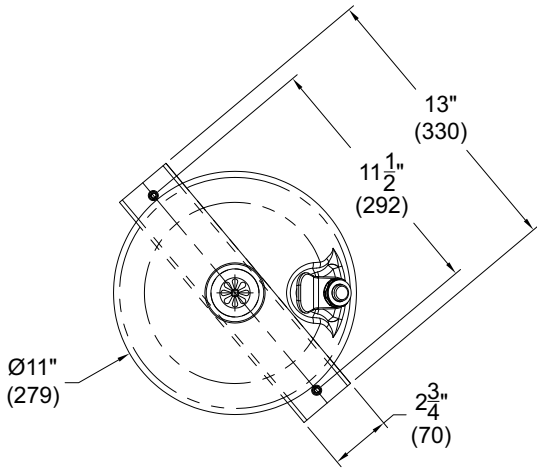
**MURDOCK MFG.** • 15125 Proctor Avenue • City of Industry, CA 91746 USA  
Phone 800-453-7465 or 626-333-2543 • Fax 626-855-4860 • [www.murdockmfg.com](http://www.murdockmfg.com)

Member of **MORRIS GROUP INTERNATIONAL**

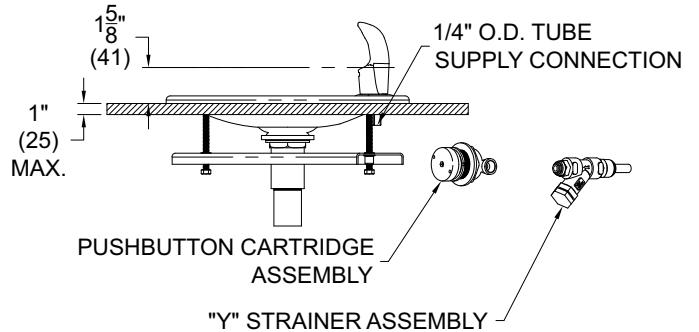


# DRINKING FOUNTAIN

## A861 Series Deck Mounted Drinking Fountain Model A861400P



PUSHBUTTON MOUNTING  
DETAIL SCALED x 2



### A861400F / A861400S

**NOTES:**

1. ALL DIMENSIONS ARE IN INCHES (MM).

Murdock Mfg.™ warrants that its products are free from defects in material or workmanship under normal use and service for a period of one year from date of shipment. Murdock's liability under this warranty shall be discharged solely by replacement or repair of defective material, provided Murdock™ is notified in writing within one year from date of shipment, F.O.B. Industry, California.

SELECTION SUMMARY & APPROVAL FOR MANUFACTURING	Model Number & Options _____	Quantity _____	All dimensions are subject to manufactures tolerance of plus or minus 1/2" nominal and subject to change without notice. Murdock assumes no responsibility for use of void or superseded data. Dimensions may change with the addition of optional accessories. Murdock Mfg.™, Member of Morris Group International™. Please visit <a href="http://www.murdockmfg.com">www.murdockmfg.com</a> for most current specifications.
	Company _____		
	Contact _____	Title _____	
	Signature (Approval for Manufacturing) _____	Date _____	