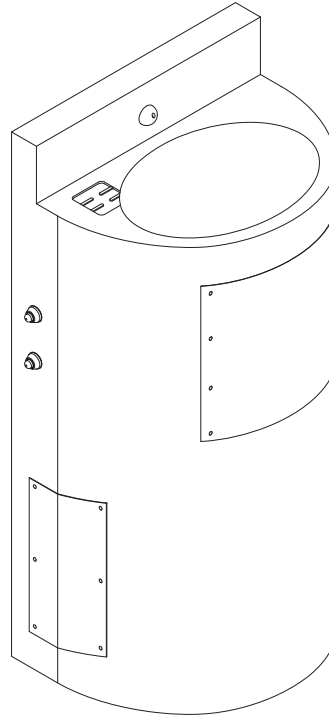


ASHS-1013-06-FA Stainless Steel 18" Wide Front Mounted Ligature-resistant Lavatory



(Unit may be shown with optional features)

To specify fixture and accessories, use the Model Number and Options page.

Example: To specify an 18" Wide, Front Mounted, Ligature-resistant Lavatory with ligature-resistant bubbler, dual temp. pneumatic metering valve, ligature-resistant pneumatic push buttons, and removable 'p'-trap

Use the following Willoughby Model Number:

ASHS-1013-06-FA-BPH-PML2-PBH-RPT

Recommended Specifications

Stainless Steel, 18" Wide, Front Mounted, Ligature-resistant Lavatory shall be: Willoughby Model No. **ASHS-1013-06-FA** (Select from model number and options list on next page)

Fixture shall be fabricated from 14 GA., Type 304 stainless steel. The construction shall be all welded, with exposed stainless surfaces polished to a #4 satin finish.

Standard lavatory shall include:

- Oval-shaped bowl, 13" x 9-1/2" x 6" deep
- Stainless steel ligature-resistant bubbler/filler
- Slow drain with air vent
- (1-1/2") slip joint, cast brass union 'p'-trap
- (3) removable cabinet mounted panels attached with vandal resistant screws
- Self-draining soap dish
- 0.5 GPM flow rate

Anchoring shall be from the front with anchoring holes provided. Anchoring hardware by others. Unit requires no chase area for installation and maintenance.



WARNING: Cancer and Reproductive Harm

- www.P65Warnings.ca.gov

visit our website at www.willoughby-ind.com
5105 West 78th Street • Indianapolis, IN. 46268
(317) 875-0830 • Fax: (317) 875-0837 • (800) 428-4065



MADE IN THE U.S.A.

MODEL NUMBER AND OPTIONS:

1.) Base Model Number:

- ASHS-1013-06-FA Stainless Steel, 18" Wide, Front Mounted,
Ligature-resistant Lavatory

2.) Bubbler Selection:

- BPH Ligature-resistant Bubbler/Filler (Standard)
 FLH Ligature-resistant Lav. Filler

3.) Lavatory Valve Selection:

- NV No Valve
 PSL1 Single Temp. Pneumatic Non-metering
 PSL2 Dual Temp. Pneumatic Non-metering
 PML1 Single Temp. Pneumatic Metering
 PML2 Dual Temp. Pneumatic Metering
 E1L1 Single Temp. Electronic (pick control)*
 E1L2 Dual Temp. Electronic (pick control)*

4.) Lavatory Valve Actuation:

- PBH Ligature-resistant Pneumatic Push Buttons
 PZPB Ligature-resistant Piezo Electronic Push Buttons

5.) Electronic Controls* (Must Use Electronic Push Button):

- WUCC-3010 Pneutronic WMSII
(The WUCC-3010 Control can be used to pair a Lavatory with a Toilet)

6.) Lavatory Waste:

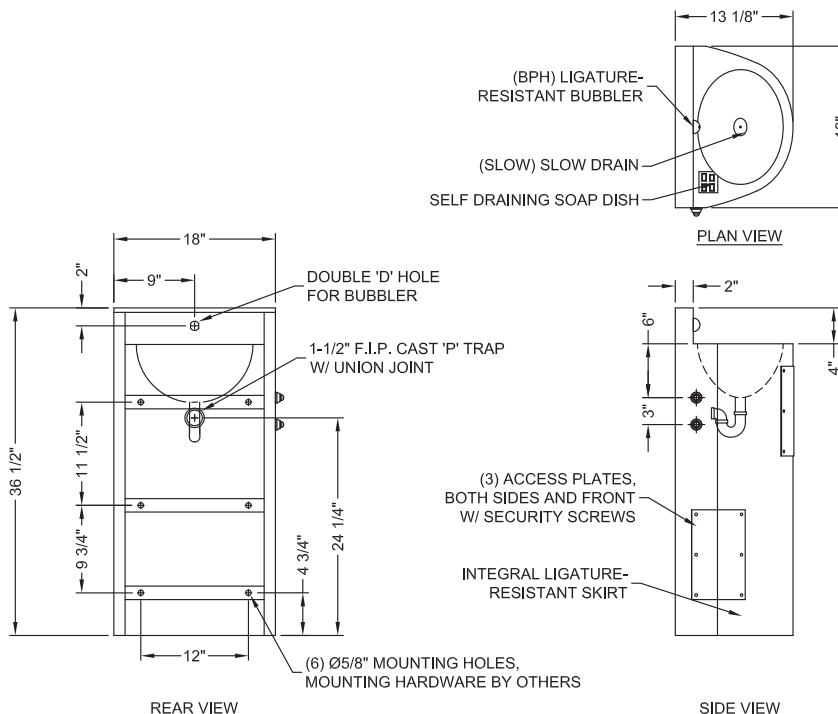
- RPT Removable 'P'-Trap (Standard)
 OV Lavatory Overflow
 SLOW Slow Drain (Standard)

7.) Options:

- MT Wall Template
 TF24H Hard-wired Transformer, 110VAC to 24VAC*
 TF24P Plug-in Transformer, 110VAC to 24VAC*
 TH1 Single Towel Hook
 Right Left
 TH2 Dual Towel Hook
 Right Left
 Other: _____
 Other: _____
*(Req. 110V power through ground fault interrupter (GFCI) receptacle)

Approved For Manufacturing By: _____ Date: _____ Company: _____
Wall Thickness: _____ Wall Type: _____

VERIFY ALL DIMENSIONS WITH FACTORY PRIOR TO ROUGH-IN
 WILLOUGHBY RESERVES THE RIGHT TO MAKE CHANGES IN DESIGN AND DIMENSIONS WITHOUT FORMAL NOTICE AND WITHOUT INCURRING OBLIGATION.



visit our website at www.willoughby-ind.com
 5105 West 78th Street • Indianapolis, IN. 46268
 (317) 875-0830 • Fax: (317) 875-0837 • (800) 428-4065



MADE IN THE U.S.A.