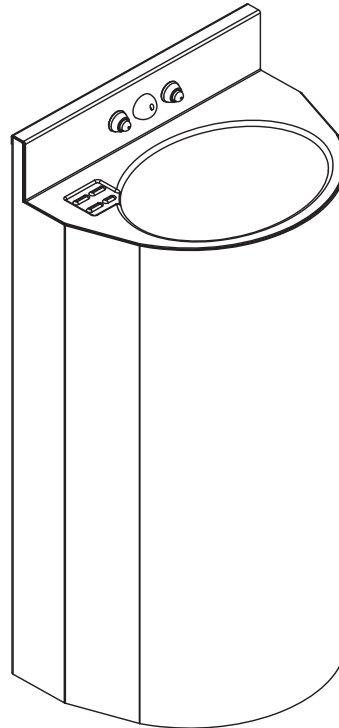


ASHS-1013-06 Stainless Steel 18" Wide Rear Mounted Ligature-resistant Lavatory



(Unit may be shown with optional features)

To specify fixture and accessories, use the Model Number and Options page.

Example: To specify an 18" Wide, Rear Mounted, Ligature-resistant Lavatory with ligature-resistant bubbler and dual temp. pneumatic metering valve, ligature-resistant pneumatic push buttons, and elbow waste

Use the following Willoughby Model Number:

ASHS-1013-06-BPH-PML2-PBH-EB

Recommended Specifications

Stainless Steel, 18" Wide, Rear Mounted, Ligature-resistant Lavatory shall be: Willoughby Model No. **ASHS-1013-06**
(Select from model number and options list on next page)

Fixture shall be fabricated from 14 GA., Type 304 stainless steel. The construction shall be all welded, with exposed stainless surfaces polished to a #4 satin finish.

Standard lavatory shall include:

- Oval-shaped bowl, 13" x 9-1/2" x 6" deep
- Stainless steel ligature-resistant bubbler/filler
- Slow drain with air vent
- Elbow Waste (1-1/2" Plain End)
- Self-draining soap dish
- 0.5 GPM flow rate

Anchoring shall be by standard 4-point system: threaded rods, nuts and washers shall be furnished for walls up to 8" thick.
Unit shall require chase area for installation and maintenance.



WARNING: Cancer and Reproductive Harm

- www.P65Warnings.ca.gov

visit our website at www.willoughby-ind.com
5105 West 78th Street • Indianapolis, IN. 46268
(317) 875-0830 • Fax: (317) 875-0837 • (800) 428-4065



MADE IN THE U.S.A.

MODEL NUMBER AND OPTIONS:

1.) Base Model Number:

- ASHS-1013-06 Stainless Steel, 18" Wide, Rear Mounted, Ligature-resistant Lavatory

2.) Bubbler Selection:

- BPH Ligature-resistant Bubbler/Filler (Standard)
- FLH Ligature-resistant Lav. Filler

3.) Lavatory Valve Selection:

- NV No Valve
- PSL1 Single Temp. Pneumatic Non-metering
- PSL2 Dual Temp. Pneumatic Non-metering
- PML1 Single Temp. Pneumatic Metering
- PML2 Dual Temp. Pneumatic Metering
- E1L1 Single Temp. Electronic (pick control)*
- E1L2 Dual Temp. Electronic (pick control)*

Valve Manifold Options:

Pneumatic or Electronic Only:

- MA2 MA3 MA4

4.) Lavatory Valve Actuation:

- PBH Ligature-resistant Pneumatic Push Buttons
- PZPB Ligature-resistant Piezo Electronic Push Buttons

5.) Electronic Controls* (Must Use Electronic Push Button):

- WUCC-3010 Pneutronic WMSII
- (The WUCC-3010 Control can be used to pair a Lavatory with a Toilet)

6.) Lavatory Waste:

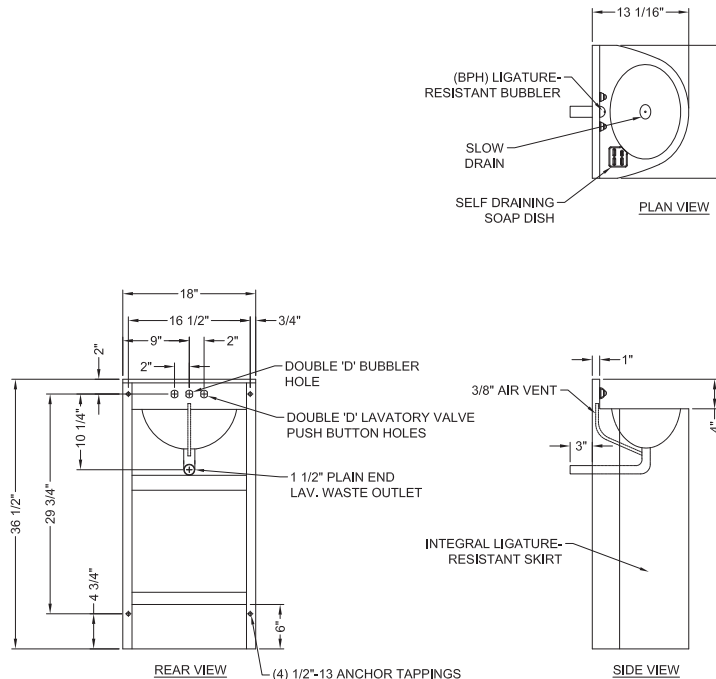
- EB Elbow Waste (1-1/2" Plain End) (Standard)
- PT Integral 'P'-Trap
- LWE Lavatory Waste Extension (Specify if more than 3")
- OV Lavatory Overflow
- LW1 Thru-Wall Extension, 'P'-Trap
- LW2 Thru-Wall Extension and Clean-Out
- SLOW Slow Drain (Standard)
- LWC1 Coupling, 1-1/2" Tube to 1-1/2" Tube
- LWC2 Coupling, 1-1/2" Tube to 1-1/2" PVC/Cast Iron

7.) Options:

- MT Wall Template
 - TF24H Hard-wired Transformer, 110VAC to 24VAC*
 - TF24P Plug-in Transformer, 110VAC to 24VAC*
 - TH1 Single Towel Hook
 - Right Left
 - TH2 Dual Towel Hook
 - Right Left
 - WS Wall Sleeve (Requires Accessible Chase)
 - Other: _____
 - Other: _____
- *(Req. 110V power through ground fault interrupter (GFCI) receptacle)

Approved For Manufacturing By: _____ Date: _____ Company: _____
 Wall Thickness: _____ Wall Type: _____

VERIFY ALL DIMENSIONS WITH FACTORY PRIOR TO ROUGH-IN
 WILLOUGHBY RESERVES THE RIGHT TO MAKE CHANGES IN DESIGN AND DIMENSIONS WITHOUT FORMAL NOTICE AND WITHOUT INCURRING OBLIGATION.



visit our website at www.willoughby-ind.com
 5105 West 78th Street • Indianapolis, IN. 46268
 (317) 875-0830 • Fax: (317) 875-0837 • (800) 428-4065



MADE IN THE U.S.A.