



Location:

**C-86-2-X, C-86-2-TRM & C862TRMTC Shower Valve System & Trim Specification Submittal**

**Temptrol® Commercial**



**Feature Highlights**

- Temptrol Commercial Shower Valve System or Trim
- Requires Temptrol® Pressure Balancing Shower Valve (included with C-86-2-X)
- Integral service stops allow water shutoff at valve for service (included with C-86-2-X)
- Adjustable stop screw to limit hand turn (included with C-86-2-X)
- Metal lever handle
- Tub spout and showerhead not included
- Components shall be metal and nonmetallic construction, plated in standard Polished Chrome finish
- Available with TA-10 flow control spindle and T-12A cap assembly for Temptrol valve bodies installed with Test Cap (order p/n C862TRMTC)

**Model Numbers**

- C-86-2-X**  
Shower Valve System with Temptrol Pressure Balancing Shower Valve
- C-86-2-TRM**  
Shower Valve Trim, Temptrol Pressure Balancing Shower Valve ordered separately
- C862TRMTC**  
Shower Valve Trim with TA-10 flow control spindle and T-12A cap assembly, must order Temptrol valve with Test Cap

**Compliance**



- ASME A112.18.1/CSA B125.1



**Warranty**

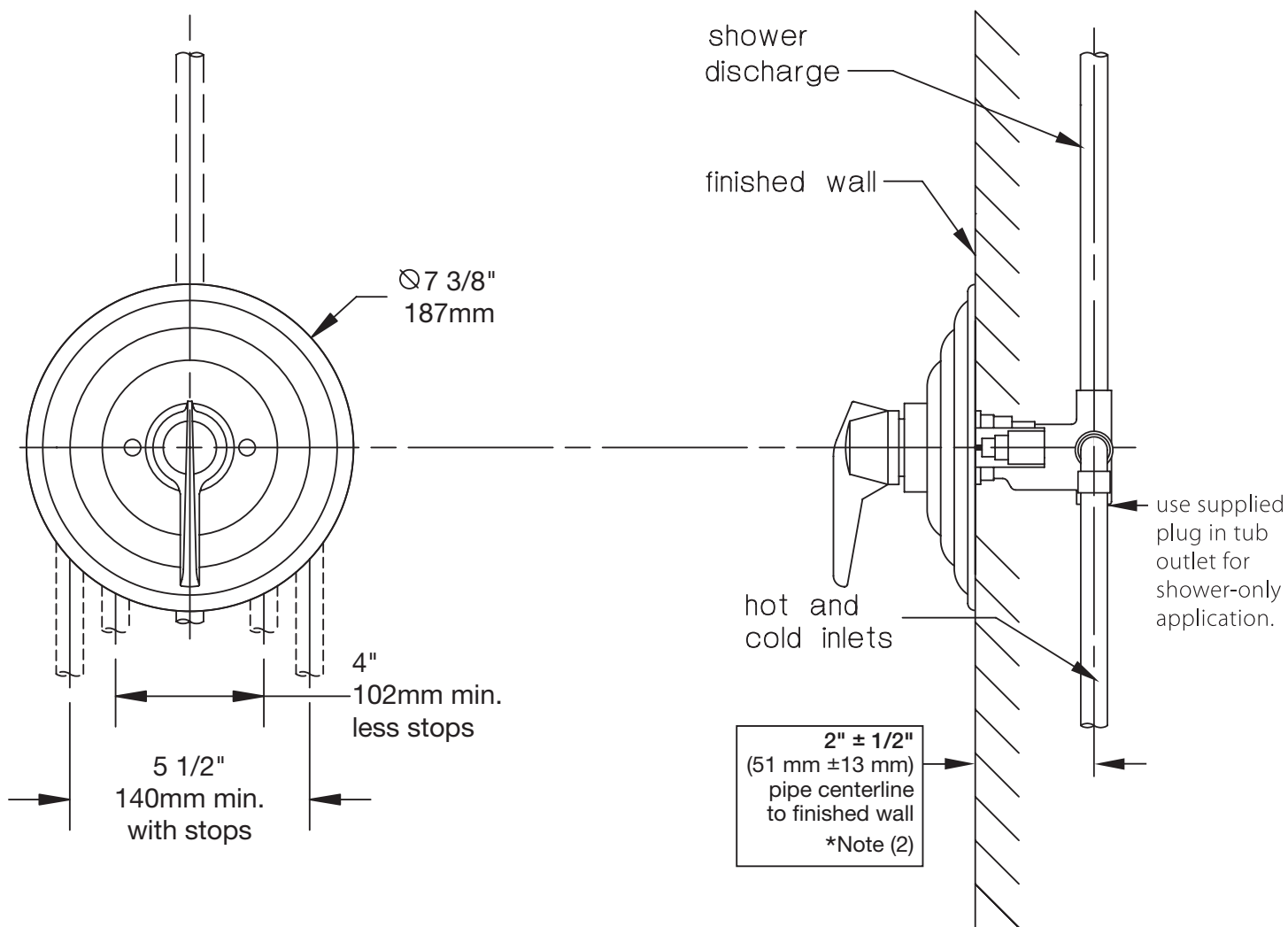
**Limited Lifetime** - to the original end purchaser in consumer/residential installations.  
**5 Years** - for industrial/commercial installations.  
 Refer to [www.symmons.com/warranty](http://www.symmons.com/warranty) for complete warranty information.  
 Go to [www.symmons.com/register](http://www.symmons.com/register) to register your Symmons product.

**Options/Modifications**

- LAM**  *Metal finish insert handle*
- LP**  *Loop handle*
- REB** *Rebuild trim kit, includes TA-10 and TA-4*
- VP** *Vandal resistant escutcheon screws in place of standard screws*
- Delete Suffix X** *Less integral service stops*
- CHKS** *Integral check stops - for use in installations where a positive shut-off device is used downstream of mixing valve*

**Note:** Append appropriate -suffix to model number.

## Dimensions



### Notes:

- 1) Valve body and piping not included and shown as reference only.
- 2) Plaster shield (p/n T-176) for dry wall, plaster or other type walls 1/2" or greater.
- 3) All dimensions measured from nominal rough-in.
- 4) Dimensions subject to change without notice.