

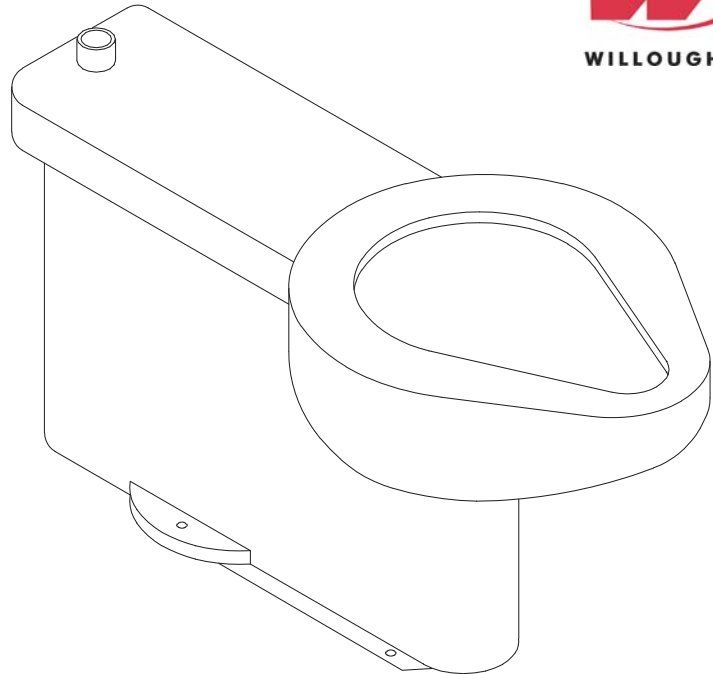


## ETF-1490-OW Stainless Steel Floor Outlet Off-Wall Mounted Siphon Jet Series Toilet



**IN COMPLIANCE  
WITH A.D.A. 2010**

**\*\* USE "HC" SUFFIX FOR  
18" A.F.F. SEAT HEIGHT**



**(1.6 GPF UNIT W/ 15" A.F.F.  
SEAT HEIGHT\* SHOWN)  
(Unit may be shown with optional features)**

**To specify fixture and accessories, use the Model Number and Options page.**

Example: To specify a Floor Outlet, Off Wall Mounted, Siphon Jet Series Toilet with top spud, standard 15" seat height, 1.6 GPF, floor outlet waste connection, high polish seat, and toilet shipping cover

Use the following Willoughby Model Number:  
**ETF-1490-OW-TS-1.6-TW4-HPS-TSC**

## Recommended Specifications

Stainless Steel, Floor Outlet, Off-Wall Mounted, Siphon Jet Series Toilet shall be: Willoughby Model No. **ETF-1490-OW**  
(Select from model number and options list on next page)

Fixture shall be fabricated from 14 gauge, type 304 stainless steel. The construction shall be all welded, with exposed stainless surfaces polished to a #4 satin finish.

Standard toilet shall include:

- Elongated toilet bowl with contoured seat
- Integral crevice-free self-draining flushing rim with positive afterfill
- Fully enclosed 2-3/8" O.D. trap which shall maintain a minimum 2" seal and pass a 2" ball
- Bead blast finish bowl interior

Toilet shall be siphon jet type, requiring 35 PSI minimum flushing pressure. Model shall meet the requirements of ASME A112.19.3/CSA B45.4.

Fixture shall withstand loadings of 5,000 lbs. without permanent damage.

Anchoring shall be through the floor (anchoring hardware provided by others).

Unit requires no chase area for installation and maintenance.

**Note:** Unit will pass a 2" ball.

**Note:** Fixture should only be used with a listed high-efficiency flushometer to ensure the complete system meets the requirements of WaterSense.



**WARNING:** Cancer and Reproductive Harm

- [www.P65Warnings.ca.gov](http://www.P65Warnings.ca.gov)

visit our website at [www.willoughby-ind.com](http://www.willoughby-ind.com)  
5105 West 78th Street • Indianapolis, IN. 46268  
(317) 875-0830 • Fax: (317) 875-0837 • (800) 428-4065



MADE IN THE U.S.A.

# MODEL NUMBER AND OPTIONS:

**1.) Base Model Number:**

- ETF-1490-OW    Stainless Steel, Floor Outlet, Off-Wall Mounted, Siphon Jet Series Toilet

**2.) Inlet Location:**

- TS    Top Spud

**3.) Toilet Seat Height:**

- 15" Seat Height (Standard)
- HC    18" Seat Height, Handicap-ADA Compliant

**4.) Flush Valve GPF (Must Specify):**

- 1.28 GPF HET (4.8 Lpf) (WaterSense Labeled)
- 1.6 GPF ULF (6.0 Lpf)
- 3.5 GPF (13.2 Lpf)

**5.) Toilet Waste:**

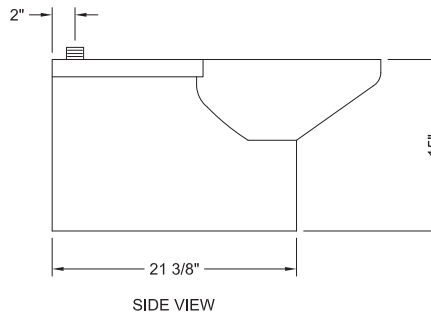
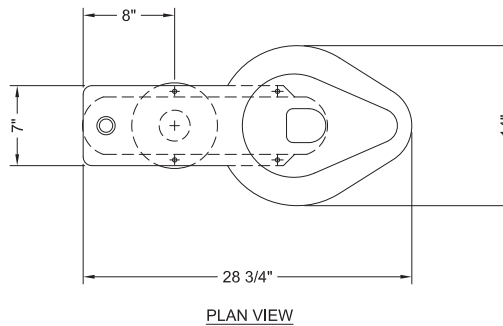
- GWC    Gasketed Waste Connection (Standard)
- TW4    Floor Outlet Waste Connection

**6.) Other Options:**

- HS    Hinged White Plastic Seat (No Cover, not recommended for Maximum Security/Ligature-resistant use)
- DC    Decorator Color (Fixture exterior only - White)
- HPS    High Polish Seat
- TSC    Toilet Shipping Cover
- RTH1    Wall Mounted Recessed Tissue Holder (Rear Mounted, Requires Accessible Chase)
- RTH2    Wall Mounted Recessed Tissue Holder (Front Mounted, 4-1/2" Depth)
- Other    \_\_\_\_\_
- Other    \_\_\_\_\_

Approved For Manufacturing By: \_\_\_\_\_ Date: \_\_\_\_\_ Company: \_\_\_\_\_  
 Wall Thickness: \_\_\_\_\_ Wall Type: \_\_\_\_\_

**VERIFY ALL DIMENSIONS WITH FACTORY PRIOR TO ROUGH-IN**  
 WILLOUGHBY RESERVES THE RIGHT TO MAKE CHANGES IN DESIGN AND DIMENSIONS WITHOUT FORMAL NOTICE AND WITHOUT INCURRING OBLIGATION.



**visit our website at [www.willoughby-ind.com](http://www.willoughby-ind.com)**  
 5105 West 78th Street • Indianapolis, IN. 46268  
 (317) 875-0830 • Fax: (317) 875-0837 • (800) 428-4065



**MADE IN THE U.S.A.**