

ETW-1490-CM Stainless Steel Carrier Mounted (3-bolt) Wall Outlet Blowout Series Toilet



IN COMPLIANCE*
WITH ADA 2010
& CBC 2013, 11B

* IF MOUNTING FIXTURE WITH
FINISHED TOILET SEAT HEIGHT
BETWEEN 17"-19" A.F.F.



(1.6 GPF UNIT SHOWN)

(Unit may be shown with optional features)

To specify fixture and accessories, use the Model Number and Options page.

Example: To specify a Stainless Steel, Carrier Mounted (3-bolt), Blowout Series Toilet with top spud, 1.6 GPF, gasketed waste connection, hydraulic flush valve, flush valve cover, high polish seat, and toilet shipping cover

Use the following Willoughby Model Number:
ETW-1490-CM-TS-1.6-GWC-FV-FVC-HPS-TSC

Recommended Specifications

Stainless Steel, Carrier Mounted (3-bolt), Wall Outlet, Blowout Series Toilet shall be: Willoughby Model No. **ETW-1490-CM**
(Select from model number and options list on next page)

Fixture shall be fabricated from 14 gauge, T304 stainless steel. The construction shall be all welded, with exposed stainless surfaces polished to a #4 satin finish.

Standard toilet shall include:

- Elongated toilet bowl with contoured seat
- Integral crevice-free self-draining flushing rim with positive afterfill
- Fully enclosed 2-3/8" O.D. trap which shall maintain a minimum 2" seal and pass a 2" ball
- Bead blast finish bowl interior

Toilet shall be blowout type, requiring 35 PSI minimum flushing pressure. Model shall meet the requirements of ASME A112.19.3/CSA B45.4.

Fixture shall withstand loadings of 5,000 lbs. without permanent damage.

Anchoring shall be by standard 3-bolt blowout carrier. (Carrier and fasteners by others).

Unit requires no chase area for installation and maintenance unless specified with any Toilet Waste Extension options or Toilet Overflow Preventer options.

On back to back fixture installations, do not use standard cross type waste fitting: cross flow may result due to blowout jet action. Use sanitary or off-set type waste fittings.

Note: Unit will pass a 2" ball.

Note: Fixture should only be used with a listed high-efficiency flushometer to ensure the complete system meets the requirements of WaterSense.



WARNING: Cancer and Reproductive Harm

- www.P65Warnings.ca.gov

visit our website at www.willoughby-ind.com
5105 West 78th Street • Indianapolis, IN. 46268
(317) 875-0830 • Fax: (317) 875-0837 • (800) 428-4065



MADE IN THE U.S.A.

MODEL NUMBER AND OPTIONS:

1.) Base Model Number:

- ETW-1490-CM Stainless Steel, Carrier Mounted (3-bolt), Wall Outlet Blowout Series Toilet

2.) Inlet Location:

- BS Back Spud
- TS Top Spud

3.) Flush Valve GPF (Must Specify):

- 1.28 GPF HET (4.8 Lpf) (WaterSense Labeled)
- 1.6 GPF ULF (6.0 Lpf)
- 3.5 GPF (13.2 Lpf)

4.) Toilet Waste:

- GWC Gasketed Waste Connection (Standard)

5.) Other Options:

- T4 Manual Reset Toilet Overflow Preventer, Requires: (FV) Hydraulic Flush Valve and Accessible Chase
- ET4 Electronic Toilet Overflow Preventer*, Requires (EFV), Accessible Chase, & (WUCC-3010) or (WMSII) control
- FV Hydraulic Flush Valve (Includes Actuator)
- EFVP Electronic Flush Valve w/ (PZPB) Ligature-resistant Piezo Push Button (Pick Control)*
- FVT Flush Valve Connection (Back Spud Only)
- ASFVC Flush Valve Cover (Ligature-resistant, Top Spud Only)
- ASFVCADA Ligature-resistant ADA Flush Valve Cover (Top Spud Only)
- ASFVC Flush Valve Cover (Ligature-resistant, Top Spud Only)
- ASFVCADA Ligature-resistant ADA Flush Valve Cover (Top Spud Only)
- AP Flush Valve Access Panel (Allows access to chase-mounted flush valve from fixture side)
- HS Hinged White Plastic Seat (No Cover, not recommended for Maximum Security/Ligature-resistant use)
- DC Decorator Color (Fixture exterior only - White)
- TF24H Hard-wired Transformer, 110VAC to 24VAC*
- TF24P Plug-in Transformer, 110VAC to 24VAC*

[CONTINUED IN NEXT COLUMN:]

[Other Options CONTINUED:]

- HPS High Polish Seat
- TSC Toilet Shipping Cover
- RTH1 Wall Mounted Recessed Tissue Holder (Rear Mounted, Requires Accessible Chase)
- RTH2 Wall Mounted Recessed Tissue Holder (Front Mounted, 4-1/2" Depth)
- RFVB Remote Flush Valve with Box
- REFVB Remote Electronic Flush Valve with Box*
- Other _____
- Other _____

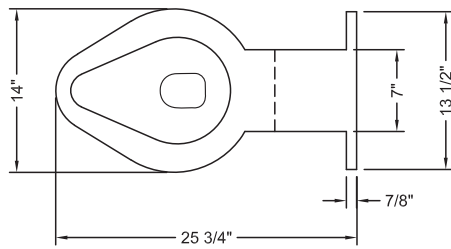
6.) Electronic Controls* (Must Use Electronic Flush Valve):

- WUFC-4000 Pneumatic WMSII
- WUCC-3010 (Select WUCC-3010 Control if pairing a Toilet with a Lavatory or if the Toilet is selected with an (ET4) overflow option)

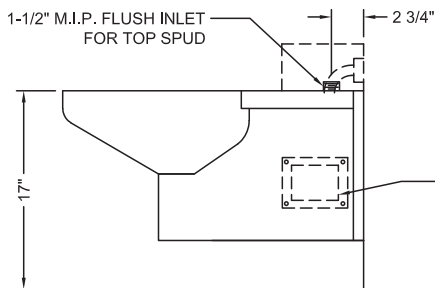
*(Req. 110V power through ground fault interrupter (GFCI) receptacle)

Approved For Manufacturing By: _____ Date: _____ Company: _____
 Wall Thickness: _____ Wall Type: _____

VERIFY ALL DIMENSIONS WITH FACTORY PRIOR TO ROUGH-IN
 WILLOUGHBY RESERVES THE RIGHT TO MAKE CHANGES IN DESIGN AND DIMENSIONS WITHOUT FORMAL NOTICE AND WITHOUT INCURRING OBLIGATION.

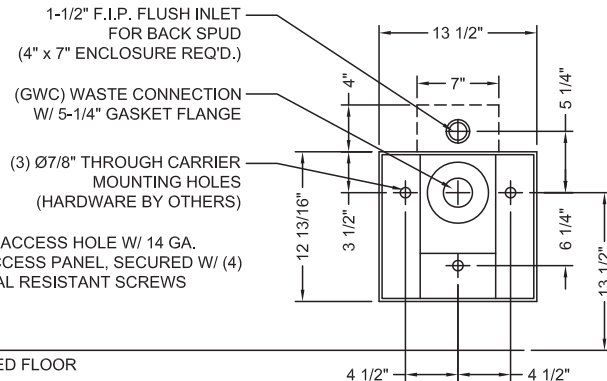


BACK VIEW



BACK VIEW

IN COMPLIANCE*
WITH ADA 2010
& CBC 2013, 11B
 * IF MOUNTING FIXTURE WITH FINISHED TOILET SEAT HEIGHT BETWEEN 17"-19" A.F.F.



REAR VIEW

visit our website at www.willoughby-ind.com
 5105 West 78th Street • Indianapolis, IN. 46268
 (317) 875-0830 • Fax: (317) 875-0837 • (800) 428-4065



MADE IN THE U.S.A.