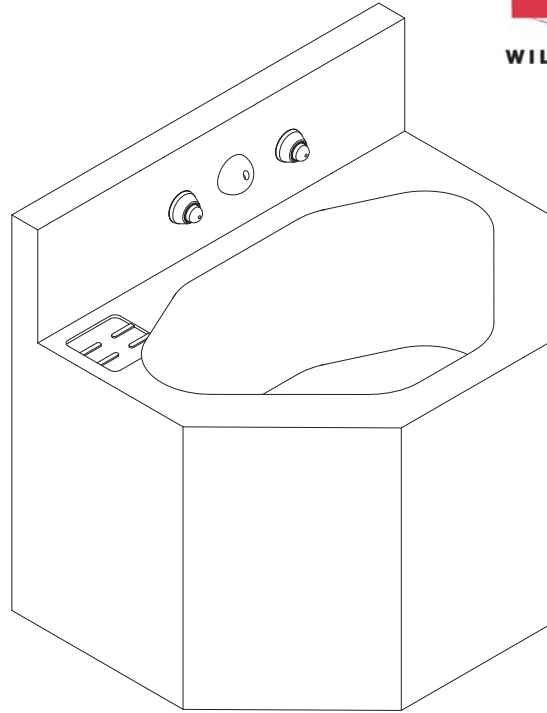




HS-1013-46-15 Stainless Steel 15" Wide Rear Mounted Lavatory



(Unit may be shown with optional features)

To specify fixture and accessories, use the Model Number and Options page.

Example: To specify a 15" Wide, Rear Mounted Lavatory with ligature-resistant bubbler, dual temp. pneumatic metering valve, ligature-resistant pneumatic push buttons, elbow waste, and single towel hook

Use the following Willoughby Model Number:

HS-1013-46-15-BPH-PML2-PBH-EB-TH1

Recommended Specifications

Stainless Steel, 15" Wide, Rear Mounted Lavatory shall be:
Willoughby Model No. **HS-1013-46-15**
(Select from model number and options list on next page)

Fixture shall be fabricated from 14 GA., Type 304 stainless steel. The construction shall be all welded, with exposed stainless surfaces polished to a #4 satin finish.

Standard lavatory shall include:

- Multi-sided bowl, 12-3/4" x 8-1/4" x 5" deep
- Stainless steel penal bubbler/filler
- Fast drain with air vent
- Elbow Waste (1-1/2" Plain End)
- Self-draining soap dish
- 0.5 GPM flow rate

Cabinet interior shall be sound deadened with fire-resistant material.

Anchoring shall be by standard 4-point system: threaded rods, nuts and washers shall be furnished for walls up to 8" thick. Unit shall require chase area for installation and maintenance.



WARNING: Cancer and Reproductive Harm

- www.P65Warnings.ca.gov

visit our website at www.willoughby-ind.com
5105 West 78th Street • Indianapolis, IN. 46268
(317) 875-0830 • Fax: (317) 875-0837 • (800) 428-4065



MADE IN THE U.S.A.

MODEL NUMBER AND OPTIONS:

1.) Base Model Number:

- HS-1013-46-15 Stainless Steel, 15" Wide, Rear Mounted Lavatory

2.) Bubbler Selection:

- BPH Ligature-resistant Bubbler/Filler (Standard)
- BC Code Bubbler/Filler (w/ Non Ligature-Resistant Mouth Guard)
- FLH Ligature-resistant Lav. Filler

3.) Lavatory Valve Selection:

- NV No Valve
- PSL1 Single Temp. Pneumatic Non-metering
- PSL2 Dual Temp. Pneumatic Non-metering
- PML1 Single Temp. Pneumatic Metering
- PML2 Dual Temp. Pneumatic Metering
- E1L1 Single Temp. Electronic (pick control)*
- E1L2 Dual Temp. Electronic (pick control)*

Valve Manifold Options:

Pneumatic or Electronic Only:

- MA2 MA3 MA4

4.) Lavatory Valve Actuation:

- PBH Ligature-resistant Pneumatic Push Buttons
- PZPB Ligature-resistant Piezo Electronic Push Buttons

5.) Electronic Controls* (Must Use Electronic Push Button):

- WUCC-3010 Pneutronic WMSII
- (The WUCC-3010 Control can be used to pair a Lavatory with a Toilet)

6.) Lavatory Waste:

- EB Elbow Waste (1-1/2" Plain End) (Standard)
- PT Integral 'P'-Trap
- LWE Lavatory Waste Extension (Specify if more than 3")
- OV Lavatory Overflow
- SLOW Slow Drain
- LW1 Thru-Wall Extension, 'P'-Trap
- LW2 Thru-Wall Extension and Clean-Out
- LWC1 Coupling, 1-1/2" Tube to 1-1/2" Tube
- LWC2 Coupling, 1-1/2" Tube to 1-1/2" PVC/Cast Iron

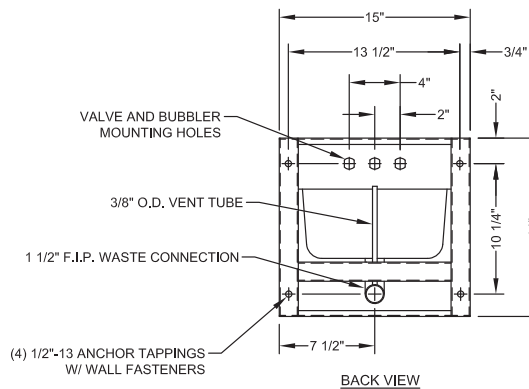
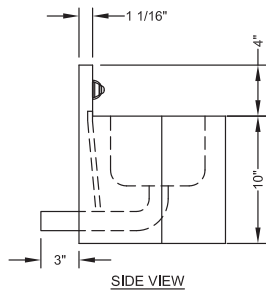
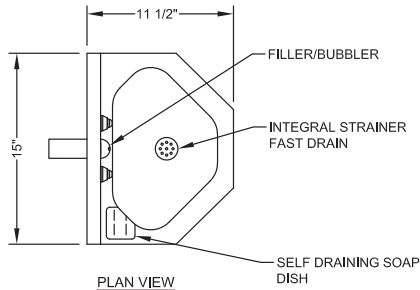
7.) Options:

- MT Wall Template
- TB1 Single Toothbrush Holder
 - Right Left
- TB2 Dual Toothbrush Holder
 - Right Left
- TF24H Hard-wired Transformer, 110VAC to 24VAC*
- TF24P Plug-in Transformer, 110VAC to 24VAC*
- TH1 Single Towel Hook
 - Right Left
- TH2 Dual Towel Hook
 - Right Left
- WS Wall Sleeve (Requires Accessible Chase)
- ISH Integral Shelf
- VG Ventilation Grille (Specify Location and Free Area)
- Other: _____
- Other: _____

*(Req. 110V power through ground fault interrupter (GFCI) receptacle)

Approved For Manufacturing By: _____ Date: _____ Company: _____
 Wall Thickness: _____ Wall Type: _____

VERIFY ALL DIMENSIONS WITH FACTORY PRIOR TO ROUGH-IN
 WILLOUGHBY RESERVES THE RIGHT TO MAKE CHANGES IN DESIGN AND DIMENSIONS WITHOUT FORMAL NOTICE AND WITHOUT INCURRING OBLIGATION.



visit our website at www.willoughby-ind.com
 5105 West 78th Street • Indianapolis, IN. 46268
 (317) 875-0830 • Fax: (317) 875-0837 • (800) 428-4065



MADE IN THE U.S.A.