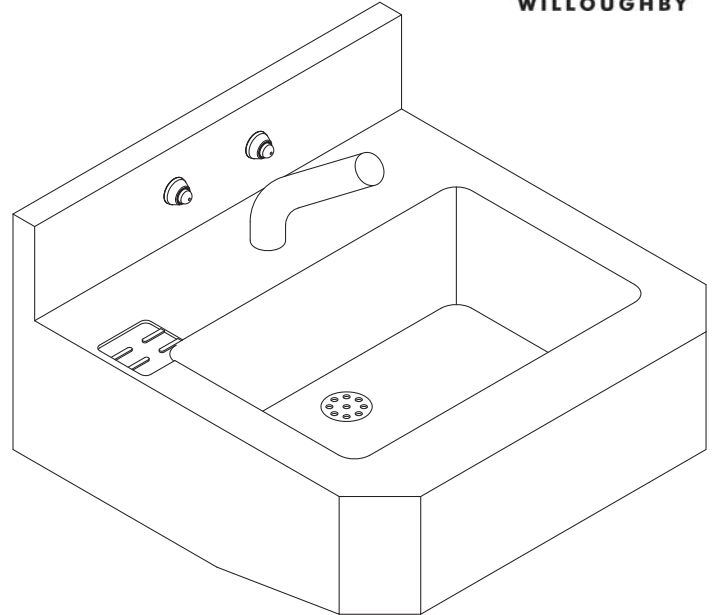




## HS-1014-96-HC Stainless Steel 18" Wide Rear Mounted Handicap-ADA Compliant Rectangular Bowl Lavatory



*(Unit may be shown with optional features)*

To specify fixture and accessories, use the Model Number and Options page.

Example: To specify an 18" Wide, Rear Mounted, Handicap-ADA Compliant, Rectangular Bowl Lavatory with dual temp. pneumatic metering valve, ligature-resistant pneumatic push buttons, deck mounted spout, standard Elbow Waste (1-1/2" Plain End), and wall sleeve

Use the following Willoughby Model Number:

**HS-1014-96-HC-PML2-PBH-DMS-EB-WS**

### Recommended Specifications

Stainless Steel, 18" Wide, Rear Mounted, Handicap-ADA Compliant, Rectangular Bowl Lavatory shall be:

Willoughby Model No. **HS-1014-96-HC**

(Select from model number and options list on next page)

Fixture shall be fabricated from 14 GA., Type 304 stainless steel. The construction shall be all welded, with exposed stainless surfaces polished to a #4 satin finish.

Standard lavatory shall include:

- Rectangular-shaped bowl, 14-1/2" x 9-1/2" x 4-3/8" deep
- Fast drain with air vent
- Elbow Waste (1-1/2" Plain End)
- Self-draining soap dish
- 0.5 GPM flow rate

Cabinet interior shall be sound deadened with fire-resistant material.

Anchoring shall be by standard 4-point system: threaded rods, nuts and washers shall be furnished for walls up to 8" thick. Unit shall require chase area for installation and maintenance.

Note: Only deck mounted Willoughby lavatory spouts and filler/bubblers are available with this lavatory model.



**WARNING:** Cancer and Reproductive Harm

- [www.P65Warnings.ca.gov](http://www.P65Warnings.ca.gov)

visit our website at [www.willoughby-ind.com](http://www.willoughby-ind.com)  
5105 West 78th Street • Indianapolis, IN. 46268  
(317) 875-0830 • Fax: (317) 875-0837 • (800) 428-4065



MADE IN THE U.S.A.

# MODEL NUMBER AND OPTIONS:

## 1.) Base Model Number:

- HS-1014-96-HC Stainless Steel, 18" Wide, Rear Mounted, Handicap-ADA Compliant, Rectangular Bowl Lavatory

## 2.) Spout/Bubbler Selection:

- DMS Deck Mounted Spout  
 DMB Deck Mounted Bubbler  
 DMBH Ligature-resistant Deck Mounted Bubbler

## 3.) Lavatory Valve Selection:

- NV No Valve (Select Hole Punching if needed)  
 PML1 Single Temp. Pneumatic Metering  
 PML2 Dual Temp. Pneumatic Metering  
 E1L1 Single Temp. Electronic (pick control)\*  
 E1L2 Dual Temp. Electronic (pick control)\*

### Valve Manifold Options:

- Pneumatic or Electronic Only:*  
 MA2  MA3  MA4

## 4.) Lavatory Valve Actuation:

- PBH Ligature-resistant Pneumatic Push Buttons  
 PZPB Ligature-resistant Piezo Electronic Push Buttons

## 5.) Electronic Controls\* (Must Use Electronic Push Button):

- WUCC-3010  Pneutronic  WMSII  
 (The WUCC-3010 Control can be used to pair a Lavatory with a Toilet)

## 6.) Hole Punching:

- 4CC 4" Centerset, Ø1-1/4" Holes (Specify 2 or 3 holes: \_\_\_)  
 8CC 8" Centerset, Ø1-1/4" Holes (Specify 2 or 3 holes: \_\_\_)  
 1CC Center Shank, (1) Ø1-1/4" Hole  
 SP Special Punching (Specify hole punching dim.)  
 SP: \_\_\_\_\_

## 7.) Lavatory Waste:

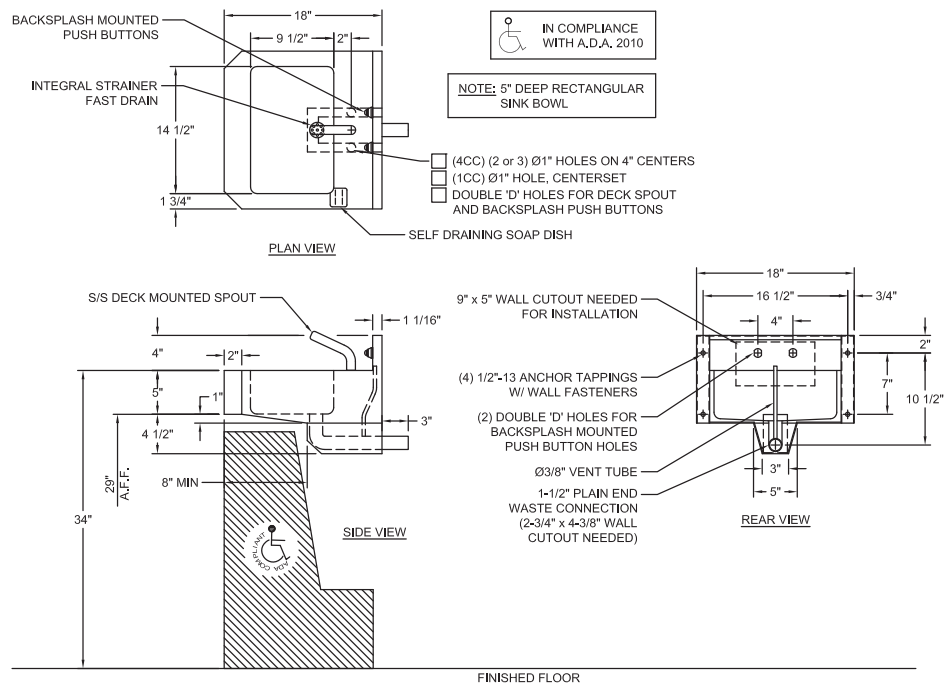
- EB Elbow Waste (1-1/2" Plain End) (Standard)  
 PT Integral 'P'-Trap  
 LWE Lavatory Waste Extension (Specify if more than 3")  
 OV Lavatory Overflow  
 SLOW Slow Drain  
 LW1 Thru-Wall Extension, 'P'-Trap  
 LW2 Thru-Wall Extension and Clean-Out  
 LWC1 Coupling, 1-1/2" Tube to 1-1/2" Tube  
 LWC2 Coupling, 1-1/2" Tube to 1-1/2" PVC/Cast Iron

## 8.) Options:

- MT Wall Template  
 TB1 Single Toothbrush Holder  
      Right  Left  
 TB2 Dual Toothbrush Holder  
      Right  Left  
 TF24H Hard-wired Transformer, 110VAC to 24VAC\*  
 TF24P Plug-in Transformer, 110VAC to 24VAC\*  
 TH1 Single Towel Hook  
      Right  Left  
 TH2 Dual Towel Hook  
      Right  Left  
 DC Decorator Color (Fixture exterior only - White)  
 WS Wall Sleeve (Requires Accessible Chase)  
 ISH Integral Shelf  
 VG Ventilation Grille (Specify Location and Free Area)  
 Other: \_\_\_\_\_  
 Other: \_\_\_\_\_  
 \*(Req. 110V power through ground fault interrupter (GFCI) receptacle)

Approved For Manufacturing By: \_\_\_\_\_ Date: \_\_\_\_\_ Company: \_\_\_\_\_  
 Wall Thickness: \_\_\_\_\_ Wall Type: \_\_\_\_\_

**VERIFY ALL DIMENSIONS WITH FACTORY PRIOR TO ROUGH-IN**  
 WILLOUGHBY RESERVES THE RIGHT TO MAKE CHANGES IN DESIGN AND DIMENSIONS WITHOUT FORMAL NOTICE AND WITHOUT INCURRING OBLIGATION.



visit our website at [www.willoughby-ind.com](http://www.willoughby-ind.com)  
 5105 West 78th Street • Indianapolis, IN. 46268  
 (317) 875-0830 • Fax: (317) 875-0837 • (800) 428-4065



MADE IN THE U.S.A.