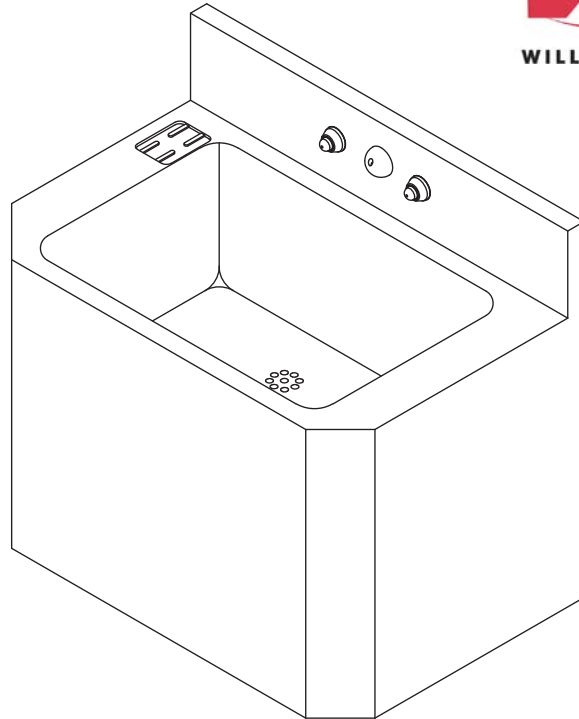


## HS-1015-20 Stainless Steel 20" Wide Rear Mounted Rectangular Bowl Lavatory



*(Unit may be shown with optional features)*

To specify fixture and accessories, use the Model Number and Options page.  
Example: To specify a 20" Wide, Rear Mounted, Rectangular Bowl Lavatory with ligature-resistant bubbler, dual temp. pneumatic metering valve ligature-resistant pneumatic push buttons, integral "P" trap, single towel hook, and wall sleeve  
Use the following Willoughby Model Number:  
**HS-1015-20-BPH-PML2-PBH-PT-TH1-WS**

### Recommended Specifications

Stainless Steel, 20" Wide, Rear Mounted, Rectangular Bowl Lavatory shall be: Willoughby Model No. **HS-1015-20**  
(Select from model number and options list on next page)

Fixture shall be fabricated from 14 GA., Type 304 stainless steel. The construction shall be all welded, with exposed stainless surfaces polished to a #4 satin finish.

Standard lavatory shall include:

- Rectangular-shaped bowl, 14-1/2" x 9-1/2" x 4-3/8" deep
- Stainless steel penal bubbler/filler
- Fast drain with air vent
- Elbow Waste (1-1/2" Plain End)
- Self-draining soap dish
- 0.5 GPM flow rate

Cabinet interior shall be sound deadened with fire-resistant material.

Anchoring shall be by standard 4-point system: threaded rods, nuts and washers shall be furnished for walls up to 8" thick.  
Unit shall require chase area for installation and maintenance.



**WARNING:** Cancer and Reproductive Harm

- [www.P65Warnings.ca.gov](http://www.P65Warnings.ca.gov)

visit our website at [www.willoughby-ind.com](http://www.willoughby-ind.com)  
5105 West 78th Street • Indianapolis, IN. 46268  
(317) 875-0830 • Fax: (317) 875-0837 • (800) 428-4065



MADE IN THE U.S.A.

# MODEL NUMBER AND OPTIONS:

## 1.) Base Model Number:

- HS-1015-20 Stainless Steel, 20" Wide, Rear Mounted, Rectangular Bowl Lavatory

## 2.) Bubbler Selection:

- BPH Ligature-resistant Bubbler/Filler (Standard)  
 BC Code Bubbler/Filler (w/ Non Ligature-Resistant Mouth Guard)  
 FLH Ligature-resistant Lav. Filler

## 3.) Lavatory Valve Selection:

- NV No Valve  
 PSL1 Single Temp. Pneumatic Non-metering  
 PSL2 Dual Temp. Pneumatic Non-metering  
 PML1 Single Temp. Pneumatic Metering  
 PML2 Dual Temp. Pneumatic Metering  
 E1L1 Single Temp. Electronic (pick control)\*  
 E1L2 Dual Temp. Electronic (pick control)\*

### Valve Manifold Options:

*Pneumatic or Electronic Only:*

- MA2  MA3  MA4

## 4.) Lavatory Valve Actuation:

- PBH Ligature-resistant Pneumatic Push Buttons  
 PZPB Ligature-resistant Piezo Electronic Push Buttons

## 5.) Electronic Controls\* (Must Use Electronic Push Button):

- WUCC-3010  Pneutronic  WMSII  
 (The WUCC-3010 Control can be used to pair a Lavatory with a Toilet)

## 6.) Lavatory Waste:

- EB Elbow Waste (1-1/2" Plain End) (Standard)  
 PT Integral 'P'-Trap  
 LWL Lavatory Waste Extension (Specify if more than 3")  
 OV Lavatory Overflow  
 SLOW Slow Drain  
 LW1 Thru-Wall Extension, 'P'-Trap  
 LW2 Thru-Wall Extension and Clean-Out  
 LWC1 Coupling, 1-1/2" Tube to 1-1/2" Tube  
 LWC2 Coupling, 1-1/2" Tube to 1-1/2" PVC/Cast Iron

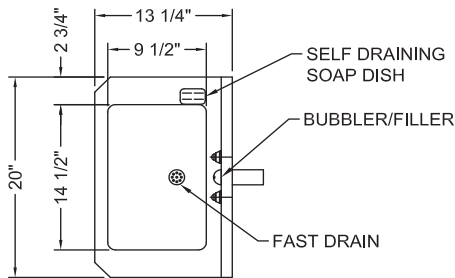
## 7.) Options:

- MT Wall Template  
 TB1 Single Toothbrush Holder  
      Right  Left  
 TB2 Dual Toothbrush Holder  
      Right  Left  
 TF24H Hard-wired Transformer, 110VAC to 24VAC\*  
 TF24P Plug-in Transformer, 110VAC to 24VAC\*  
 TH1 Single Towel Hook  
      Right  Left  
 TH2 Dual Towel Hook  
      Right  Left  
 WS Wall Sleeve (Requires Accessible Chase)  
 ISH Integral Shelf  
 VG Ventilation Grille (Specify Location and Free Area)  
 Other: \_\_\_\_\_  
 Other: \_\_\_\_\_

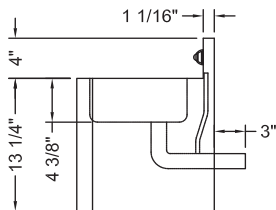
\* (Req. 110V power through ground fault interrupter (GFCI) receptacle)

Approved For Manufacturing By: \_\_\_\_\_ Date: \_\_\_\_\_ Company: \_\_\_\_\_  
 Wall Thickness: \_\_\_\_\_ Wall Type: \_\_\_\_\_

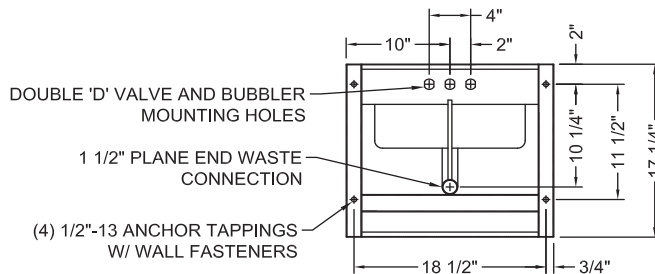
**VERIFY ALL DIMENSIONS WITH FACTORY PRIOR TO ROUGH-IN**  
 WILLOUGHBY RESERVES THE RIGHT TO MAKE CHANGES IN DESIGN AND DIMENSIONS WITHOUT FORMAL NOTICE AND WITHOUT INCURRING OBLIGATION.



PLAN VIEW



SIDE VIEW



REAR VIEW

visit our website at [www.willoughby-ind.com](http://www.willoughby-ind.com)  
 5105 West 78th Street • Indianapolis, IN. 46268  
 (317) 875-0830 • Fax: (317) 875-0837 • (800) 428-4065



MADE IN THE U.S.A.