



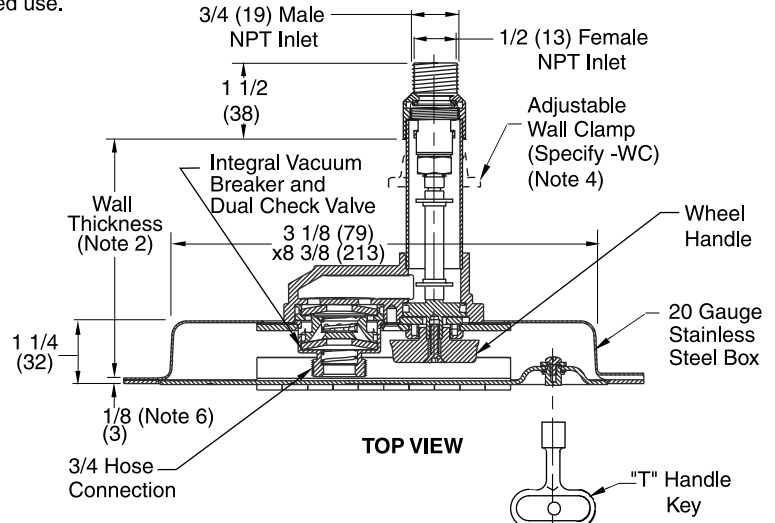
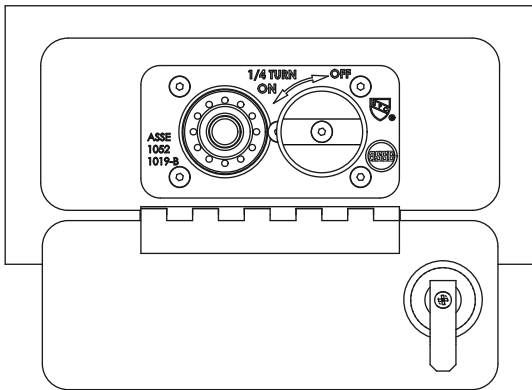
HYDRANTS

GUARDIAN DUAL CHECK 1/4 TURN NON-FREEZE WALL HYDRANT WITH AUTOMATIC DRAINING INTEGRAL VACUUM BREAKER, DUAL CHECK VALVE AND STAINLESS STEEL BOX BOX TYPE WITH CONCEALED HOSE CONNECTION

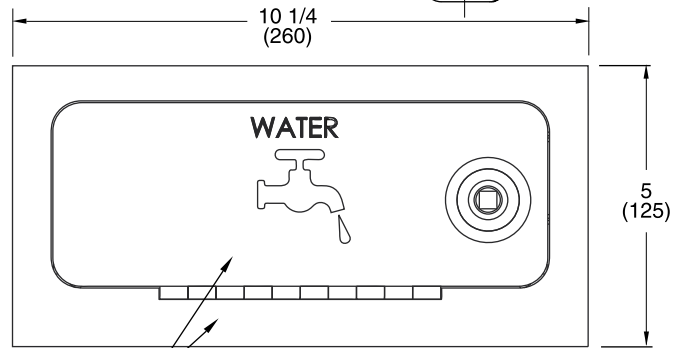
FUNCTION: Provides positive non-freeze protection where water is required at the outside of the building and features an integral vacuum breaker and dual check valve. The stainless steel recessed box conceals the nozzle and operating mechanism. The locking cover prevents unauthorized use.

1/4 Turn of the Key or Wheel Handle Allows Full Flow to Be Obtained

FRONT VIEW
with COVER OPEN



TOP VIEW



FRONT VIEW

16 Gauge Frame and Hinged Locking Cover. (Cover opens full 180°)

FIG. M-3519

NOTES:

1. Recommended wall opening 3 3/16 (83) x 8 1/2 (215).
2. When ordering, specify wall thickness in 1 (25) increments as follows 5,6,7,8,9.....24.
3. All hydrants are manufactured with "NO-LEAD" brazing rings, and USDA approved lubricants.
4. When wall clamp -WC is desired, increase wall thickness dimension by 2 (51).
5. Add 3/4 (19) to Overall Length When Specified
6. Add 3/8 (10) When Optional Box Face Material is Specified.
7. When specifying Fig. 3519 (-SAP) the wall thickness shall be 3 (76).
8. Dimensions shown in parentheses are in millimeters.
9. The AB1953, California Lead Law, and NSF/ANSI Standard 61-2008 - Drinking Water System Components are not applicable to hydrants as they do not convey/dispense water for human consumption through drinking or cooking.
10. FOR IRRIGATION PURPOSES ONLY

REGULARLY FURNISHED:

Bronze Quarter Turn Non-Freeze Automatic Draining Hydrant with Stainless Steel Face, Hose Connection, Integral Vacuum Breaker and Dual Check Valve, "T" Handle Key, Wheel Handle and Stainless Steel Box with Full 180° Cover Opening.

Meets ANSI A112.21.3M Specifications
Complies w/ ASSE 1019-B, 1052 and 1053.
IAPMO Listed- File #2749
Patent No. US 6,752,167

Seepage of a small amount of water may occur from the vacuum breaker upon the initial opening and closing of this hydrant. This is normal operation.

VARIATIONS:

- Adjustable Wall Clamp -WC (Note 4)
- 1 (25) Hose Connection -HC1
- 1 (25) Male NPT Inlet Connection -IC1 (Note 5)
- Mild Climate -SAP (Note 7)
- Cylinder Lock -CL

OPTIONAL MATERIALS:

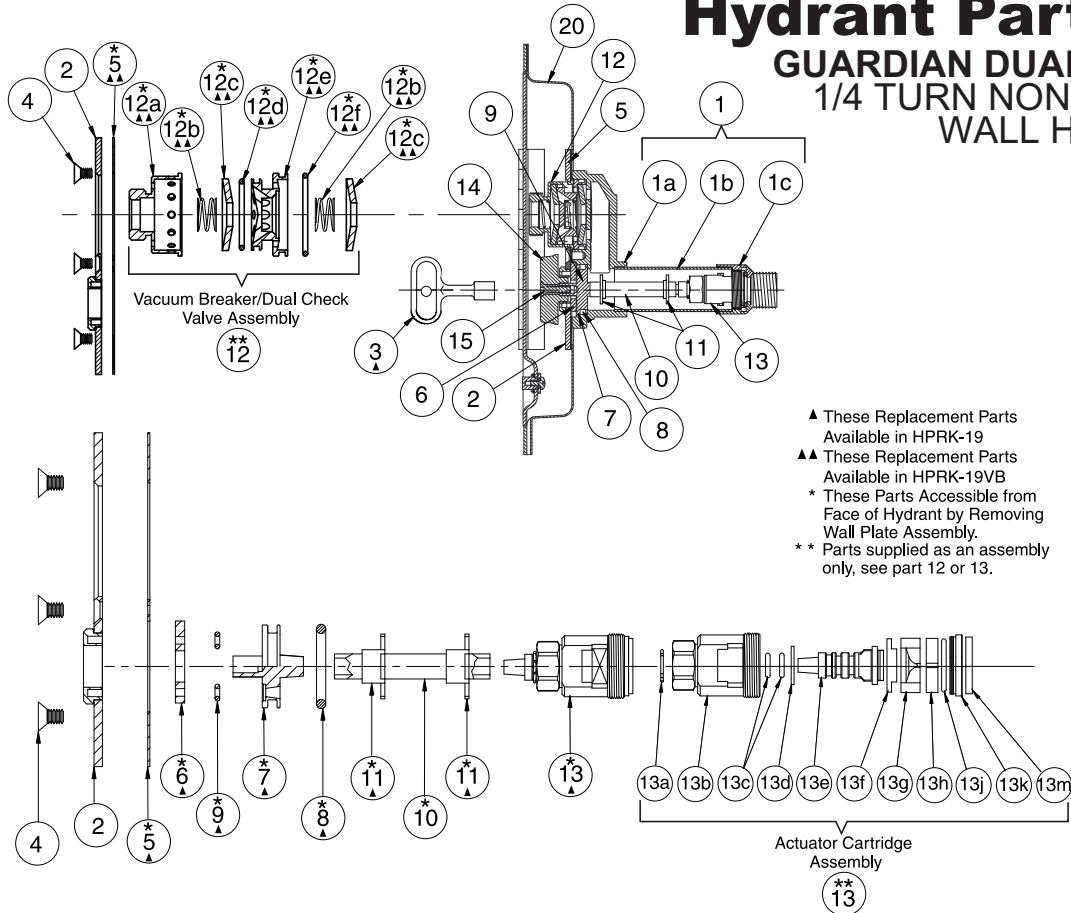
- Polished Bronze Box Face -PB
- Nickel Bronze Box Face-NB
- Rough Bronze Box Face-RB
- Chrome Plated Box Face-CP

⚠ WARNING: Cancer and Reproductive Harm - www.P65Warnings.ca.gov



HYDRANTS

Hydrant Part List GUARDIAN DUAL CHECK 1/4 TURN NON-FREEZE WALL HYDRANT



- ▲ These Replacement Parts Available in HPRK-19
- ▲▲ These Replacement Parts Available in HPRK-19VB
- * These Parts Accessible from Face of Hydrant by Removing Wall Plate Assembly.
- ** Parts supplied as an assembly only, see part 12 or 13.

HYDRANT PARTS LIST							
NO.	DESCRIPTION	NO.	DESCRIPTION	NO.	DESCRIPTION	NO.	DESCRIPTION
1	Casing Assembly	7	Moveable Operator Piece	12d	**Small O-Ring	13f	**Nylon Thrust Washer
1a	Head	8	Moveable Operator O-Ring	12e	**Flow Diverter	13g	**Rotating Ceramic Disc
1b	Casing	9	Drain Hole Seal (2)	12f	**Large O-Ring	13h	**Fixed Ceramic Disc
1c	Valve Housing	10	Operator Rod	13	Actuator Cartridge Assembly	13j	**O-Ring
2	Wall Plate Assembly	11	Operator Rod Guides (2)	13a	**Retaining Ring	13k	**O-Ring Gasket Retainer
3	Key	12	Vacuum Breaker/Dual Check Valve Assembly	13b	**Valve Body	13m	**Rubber Seal
4	Wall Plate Securing Screw (5)	12a	**Vacuum Breaker Housing	13c	**Actuator O-Ring (2)	14	Wheel Handle
5	Wall Plate Gasket	12b	**Spring (2)	13d	**Nylon Thrust Spacer	15	Wheel Handle Screw
6	Stationary Operator Piece	12c	**Cone Washer (2)	13e	**Valve Actuator	20	Box Assembly

Murdock Mfg.™ warrants that its products are free from defects in material or workmanship under normal use and service for a period of one year from date of shipment. Murdock's liability under this warranty shall be discharged solely by replacement or repair of defective material, provided Murdock™ is notified in writing within one year from date of shipment, F.O.B. Industry, California.

SELECTION SUMMARY & APPROVAL FOR MANUFACTURING	Model Number & Options _____	Quantity _____	All dimensions are subject to manufactures tolerance of plus or minus 1/2" nominal and subject to change without notice. Murdock assumes no responsibility for use of void or superseded data. Dimensions may change with the addition of optional accessories. Murdock Mfg.™, Member of Morris Group International™. Please visit www.murdockmfg.com for most current specifications.
	Company _____		
	Contact _____	Title _____	
	Signature (Approval for Manufacturing) _____	Date _____	