



# HYDRANTS

## QUARTERHORSE 1/4 TURN NON FREEZE WALL HYDRANT WITH INTEGRAL VACUUM BREAKER EXPOSED HOSE CONNECTION

**FUNCTION:** For installation in interior or exterior building walls where an exposed hose connection is acceptable. Provides positive non-freeze protection and features an integral vacuum breaker. Adaptable to all types of wall construction.

**1/4 Turn of the Key Allows Full Flow to be Obtained**

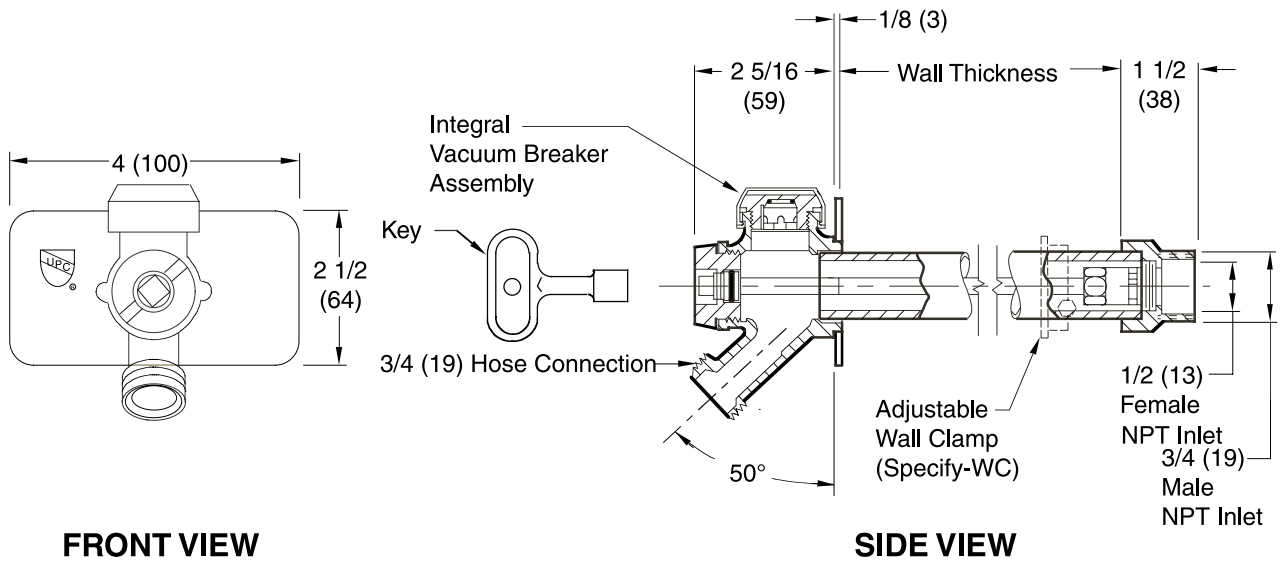


FIG. M-3609QT

Seepage of a small amount of water may occur from the vacuum breaker upon the initial opening of this hydrant. This is normal operation.

**REGULARLY FURNISHED:**

Bronze Nickel Plated Quarter Turn Non-Freeze Hydrant with 3/4" (19) Hose Connection, Backer Plate, Integral Vacuum Breaker with Vandal Resistant Cap and "T" Handle Key.

**VARIATIONS:**

- Adjustable Wall Clamp -WC
- 1" (25) Hose Connection -HC1
- 1" (25) Male NPT Inlet Connection -IC1
- Wheel Handle -WH

\*

\* Add 3/4" (19) to Overall Length When Specified

**OPTIONAL MATERIALS:**

- Chrome Plated -CP
- Chrome Plated Backer Plate -BPCP
- Polished Bronze -PB
- Polished Bronze Backer Plate -BPPB

**NOTES:**

1. Recommended wall opening 2(51) x 2(51). Hydrant shall be in the vertical position only, the hose connection must be on the bottom.
2. When ordering, specify wall thickness in 02"(51) increment as follows: 04(100), 06(150), 08(205), 10(255), 12(305), 14(355), 16(405), 18(455), 20(510), 22(560) or 24"(610). When wall clamp -WC is desired, increase wall thickness dimension by 2"(51).
3. All hydrants are manufactured with "NO-LEAD" brazing rings and USDA approved lubricants.
4. The AB1953, California Lead Law, and NSF/ANSI Standard 61-2008 - Drinking Water System Components are not applicable to hydrants as they do not convey/dispense water for human consumption through drinking or cooking.
5. Dimensions shown in parentheses are in millimeters.
6. FOR IRRIGATION PURPOSES ONLY.

**PATENTED**

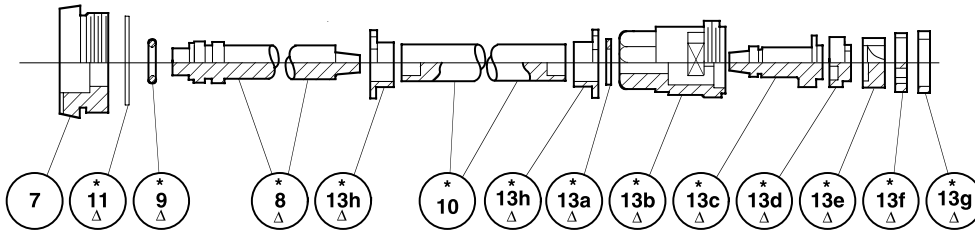
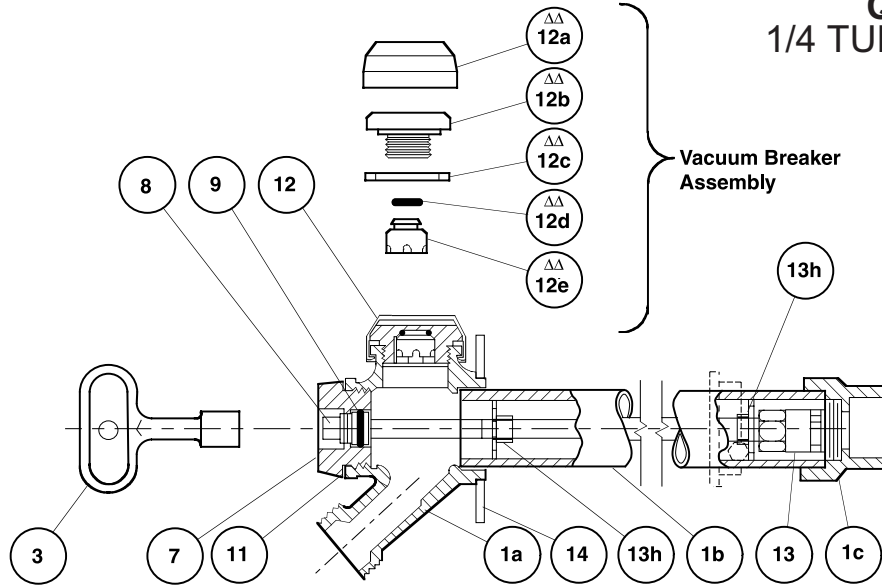
**WARNING:** Cancer and Reproductive Harm - [www.P65Warnings.ca.gov](http://www.P65Warnings.ca.gov)



# HYDRANTS

## Hydrant Part List

### QUARTERHORSE 1/4 TURN NON-FREEZE WALL HYDRANT



Δ These Replacement Parts Available in HPRK-7

ΔΔ These Replacement Parts Available in HPRK-7VB

\* These Parts Accessible from Face of Hydrant by Removing Face Nut.

HYDRANT PARTS LIST					
NO.	DESCRIPTION	NO.	DESCRIPTION	NO.	DESCRIPTION
1	Head/Casing Assembly	10	Operator Rod	13a	Retaining Ring
1a	Head	11	Face Nut Washer	13b	Valve Body
1b	Casing	12	Vacuum Breaker Assembly	13c	Valve Actuator
1c	Valve Housing	12a	VB Cap	13d	Nylon Thrust Washer
3	Key	12b	VB Body	13e	Rotating Ceramic Disc
7	Face Nut	12c	VB Washer	13f	Fixed Ceramic Disc
8	Actuator Shaft	12d	VB "O" Ring	13g	Silicon Rubber Seal
9	Actuator "O" Ring	12e	VB Piston	13h	Retainer Guide (2)
		13	Valve Body Assembly	14	Backer Plate w/Screws

Murdock Mfg.™ warrants that its products are free from defects in material or workmanship under normal use and service for a period of one year from date of shipment. Murdock's liability under this warranty shall be discharged solely by replacement or repair of defective material, provided Murdock™ is notified in writing within one year from date of shipment, F.O.B. Industry, California.

SELECTION SUMMARY & APPROVAL FOR MANUFACTURING	Model Number & Options _____	Quantity _____	All dimensions are subject to manufactures tolerance of plus or minus 1/2" nominal and subject to change without notice. Murdock assumes no responsibility for use of void or superseded data. Dimensions may change with the addition of optional accessories. Murdock Mfg.™, Member of Morris Group International™. Please visit <a href="http://www.murdockmfg.com">www.murdockmfg.com</a> for most current specifications.
	Company _____		
	Contact _____	Title _____	
	Signature (Approval for Manufacturing) _____	Date _____	