



HYDRANTS

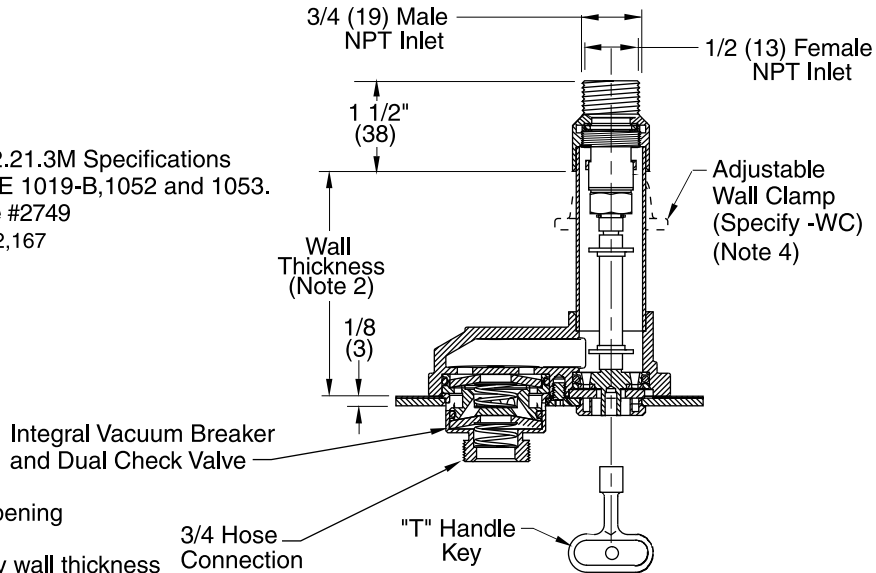
GUARDIAN DUAL CHECK 1/4 TURN NON-FREEZE WALL HYDRANT WITH AUTOMATIC DRAINING INTEGRAL VACUUM BREAKER AND DUAL CHECK VALVE

EXPOSED HOSE CONNECTION

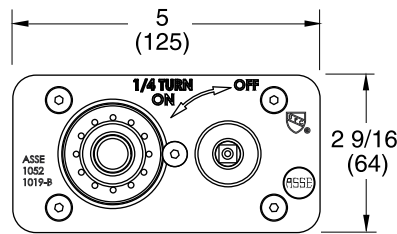
FUNCTION: For installation in interior or exterior building walls where an exposed hose connection is acceptable. Provides positive non-freeze protection. Adaptable to all types of wall construction.

1/4 Turn of the Key Allows Full Flow to Be Obtained

Meets ANSI A112.21.3M Specifications
Complies w/ ASSE 1019-B, 1052 and 1053.
IAPMO Listed- File #2749
Patent No. US 6,752,167



TOP VIEW



FRONT VIEW

FIG. M-3619

Seepage of a small amount of water may occur from the Vacuum Breaker upon the initial opening and closing of this hydrant. This is normal operation.

NOTES:

1. Recommended wall opening 2 1/4 (57) x 4 (100).
2. When ordering, specify wall thickness in 1 (25) increments as follows 4,5,6,7,8.....24.
3. All hydrants are manufactured with "NO-LEAD" brazing rings, and USDA approved lubricants.
4. When wall clamp -WC is desired, increase wall thickness dimension by 2 (51).
5. Add 3/4 (19) to Overall Length When Specified
6. When specifying Fig. 3619 (-SAP) the wall thickness shall be 2 (51).
7. Dimensions shown in parentheses are in millimeters.
8. The AB1953, California Lead Law, and NSF/ANSI Standard 61-2008 - Drinking Water System Components are not applicable to hydrants as they do not convey/dispense water for human consumption through drinking or cooking.
9. FOR IRRIGATION PURPOSES ONLY.

REGULARLY FURNISHED:

Bronze Quarter Turn Non-Freeze Automatic Draining Hydrant with Stainless Steel Face, Hose Connection, Integral Vacuum Breaker and Dual Check Valve and "T" Handle Key.

VARIATIONS:

- Adjustable Wall Clamp -WC (Note 4)
- 1 (25) Hose Connection -HC1
- 1 (25) Male NPT Inlet Connection -IC1 (Note 5)
- Mild Climate -SAP (Note 6)
- Wheel Handle (-WH)

OPTIONAL MATERIALS:

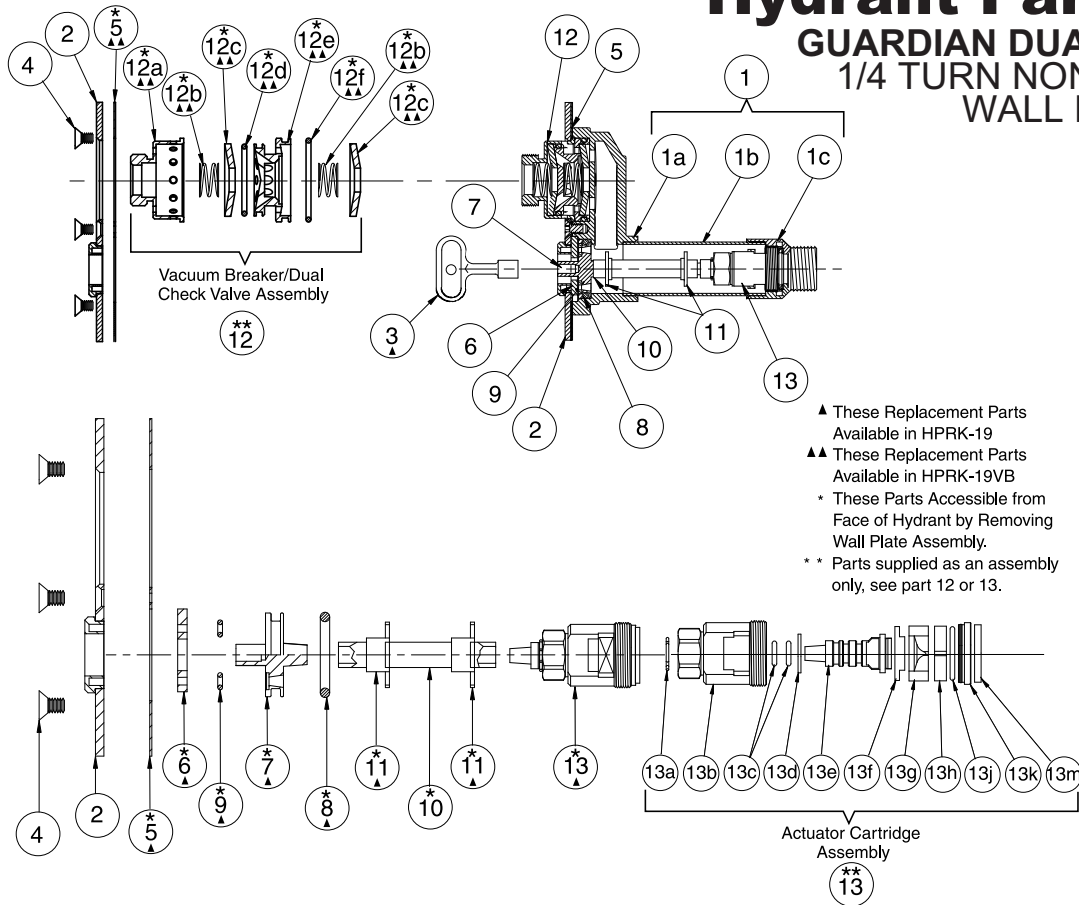
- Polished Bronze Face -PB
- Chrome Plated Face -CP

⚠ WARNING: Cancer and Reproductive Harm - www.P65Warnings.ca.gov



HYDRANTS

Hydrant Part List GUARDIAN DUAL CHECK 1/4 TURN NON-FREEZE WALL HYDRANT



- ▲ These Replacement Parts Available in HPRK-19
- ▲▲ These Replacement Parts Available in HPRK-19VB
- * These Parts Accessible from Face of Hydrant by Removing Wall Plate Assembly.
- ** Parts supplied as an assembly only, see part 12 or 13.

| HYDRANT PARTS LIST | | | | | |
|--------------------|-------------------------------|-----|--|-----|-----------------------------|
| NO. | DESCRIPTION | NO. | DESCRIPTION | NO. | DESCRIPTION |
| 1 | Casing Assembly | 7 | Moveable Operator Piece | 12d | **Small O-Ring |
| 1a | Head | 8 | Moveable Operator O-Ring | 12e | **Flow Diverter |
| 1b | Casing | 9 | Drain Hole Seal (2) | 12f | **Large O-Ring |
| 1c | Valve Housing | 10 | Operator Rod | 13 | Actuator Cartridge Assembly |
| 2 | Wall Plate Assembly | 11 | Operator Rod Guides (2) | 13a | **Retaining Ring |
| 3 | Key | 12 | Vacuum Breaker/Dual Check Valve Assembly | 13b | **Valve Body |
| 4 | Wall Plate Securing Screw (5) | 12a | **Vacuum Breaker Housing | 13c | **Actuator O-Ring (2) |
| 5 | Wall Plate Gasket | 12b | **Spring (2) | 13d | **Nylon Thrust Spacer |
| 6 | Stationary Operator Piece | 12c | **Cone Washer (2) | 13e | **Valve Actuator |
| | | | | 13f | **Nylon Thrust Washer |
| | | | | 13g | **Rotating Ceramic Disc |
| | | | | 13h | **Fixed Ceramic Disc |
| | | | | 13j | **O-Ring |
| | | | | 13k | **O-Ring Gasket Retainer |
| | | | | 13m | **Rubber Seal |

Murdock Mfg.™ warrants that its products are free from defects in material or workmanship under normal use and service for a period of one year from date of shipment. Murdock's liability under this warranty shall be discharged solely by replacement or repair of defective material, provided Murdock™ is notified in writing within one year from date of shipment, F.O.B. Industry, California.

| | | | |
|--|--|----------------|--|
| SELECTION SUMMARY & APPROVAL FOR MANUFACTURING | Model Number & Options _____ | Quantity _____ | All dimensions are subject to manufactures tolerance of plus or minus 1/2" nominal and subject to change without notice. Murdock assumes no responsibility for use of void or superseded data. Dimensions may change with the addition of optional accessories. Murdock Mfg.™, Member of Morris Group International™. Please visit www.murdockmfg.com for most current specifications. |
| | Company _____ | | |
| | Contact _____ | Title _____ | |
| | Signature (Approval for Manufacturing) _____ | Date _____ | |