



HYDRANTS

INSTALLATION INSTRUCTIONS FOR HYDRANT M-NPL75

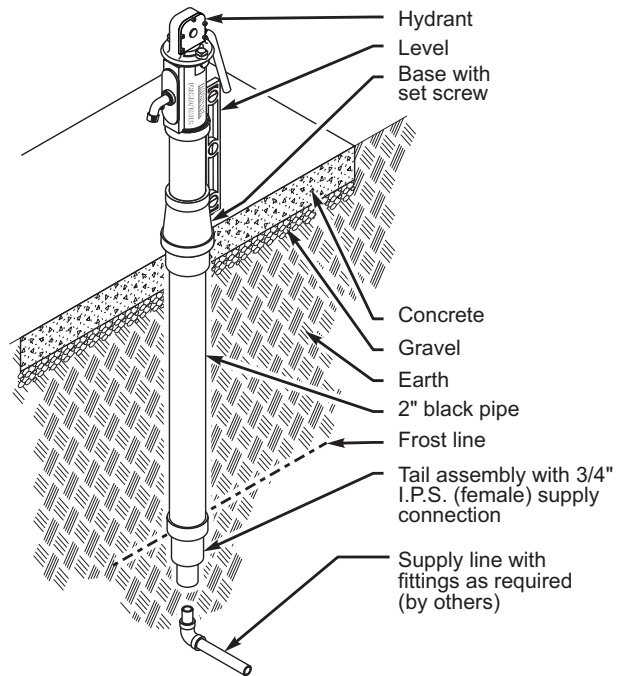
Prepare trench for water-supply line. Below hydrant location, prepare hole to trench depth and large enough for a person to work. Lay water-supply line into trench.

Install hydrant fully assembled as shipped. Position hydrant at desired location by laying two boards across hole, one on either side of outer casing, and brace as necessary under hydrant stock. To ensure plumb installation, place a bubble level against hydrant and adjust bracing boards until unit is plumb.

Purge water-supply line. Connect water-supply line, adding fittings as necessary.

Back-fill trench and hole. Compact back-filled earth. Remove bracing boards. If necessary, loosen set screw in base and adjust vertical position of base on outer casing so that bottom of flared part of base is at grade level.

If concrete slab is desired, prepare hole surrounding hydrant to accommodate concrete slab. Spread and compact gravel as necessary. Pour concrete up to bottom of flared part of hydrant base. Finish concrete as necessary.



MAINTENANCE INSTRUCTIONS FOR HYDRANT M-NPL75

All normal maintenance is done from above grade. O-rings and washers should normally be replaced annually. A repair kit including these items is available from the factory. A T-handle wrench is necessary and is also available from the factory.

Hydrant handle must turn 180° without resistance to turn on water. If handle meets resistance toward end of stroke or does not turn on water, turnbuckle needs to be adjusted.

To replace O-rings and washers, shut off water supply. Remove nuts and bolts securing top to stock. Unscrew and remove nozzle from stock. Remove entire assembly from stock, keeping all parts in same alignment as removed so that turnbuckle adjustment is not changed. Using T-handle wrench, remove valve from bottom of hydrant housing.

Replace seals as follows:

- Piston 1 small O-ring
- 2 large O-rings
- Valve body 1 O-ring
- Valve stem 1 tapered washer

Lubricate O-rings with FDA-approved, food-grade grease. Reassemble supply-line assembly and valve assembly. Replace valve in bottom of hydrant housing. Lower supply-line assembly carefully into stock. As assembly approaches operating position, plunger must be inserted gently into valve body.

Replace slide and nozzle. Replace nuts and bolts securing top to stock. Reconnect turnbuckle to crank. Replace access plate and lever.

