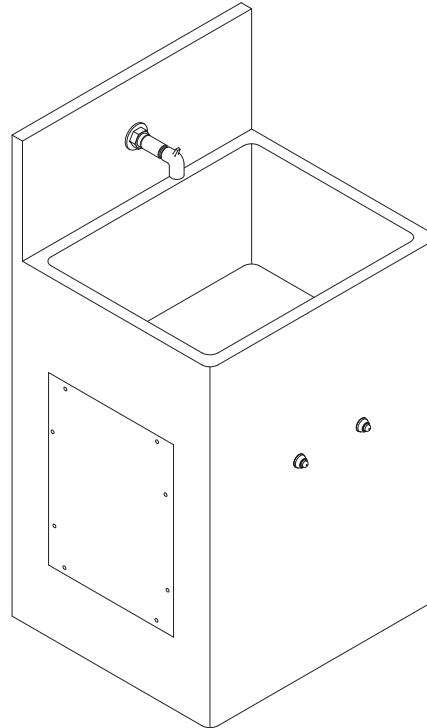


SS-FA Series Stainless Steel Front Mounted Service Sink



(Unit may be shown with optional features)

To specify fixture and accessories, use the Model Number and Options page.

Example: To specify a Front Mounted Service Sink, 22" x 20" with plain end spout, dual temp. pneumatic metering valve ligature-resistant pneumatic push buttons, and removable 'p'-trap

Use the following Willoughby Model Number:
SS-2220-FM-FA-SE-PML2-PBH-RPT

Recommended Specifications

Stainless Steel, Front Mounted Service Sink shall be:

Willoughby Model No. **SS-FA**

(Select from model number and options list on next page)

Entire fixture, including bracing and internal plumbing, shall be fabricated from 14 GA., Type 304 stainless steel. The construction shall be all welded, with exposed stainless surfaces polished to a #4 satin finish.

Standard equipment shall include:

- Rectangular shaped, 10" deep sink bowl
- Fast drain with air vent
- (1-1/2") slip joint, cast brass union 'p'-trap
- Removable access panels attached with security screws to provide access to fixture interior
- 0.5 GPM flow rate

Anchoring shall be from the front with 'z'-clip. Wall/floor anchoring holes provided. Anchoring hardware by others. Unit requires no chase area for installation and maintenance.



WARNING: Cancer and Reproductive Harm

- www.P65Warnings.ca.gov

visit our website at www.willoughby-ind.com
5105 West 78th Street • Indianapolis, IN. 46268
(317) 875-0830 • Fax: (317) 875-0837 • (800) 428-4065



MADE IN THE U.S.A.

MODEL NUMBER AND OPTIONS:

1.) Base Model Number:

- SS-2220-FM-FA 22" x 20" Stainless Steel, Front Mounted Service Sink (Floor Mounted, Wall Outlet)
- SS-2420-FM-FA 24" x 20" Stainless Steel, Front Mounted Service Sink (Floor Mounted, Wall Outlet)

2.) Spout Selection:

- SE Spout with Plain End
- SHVB Spout with Hose End With Vacuum Breaker

3.) Lavatory Valve Selection:

- NV No Valve (Select Hole Punching if needed)
- PSL1 Single Temp. Pneumatic Non-metering
- PSL2 Dual Temp. Pneumatic Non-metering
- PML1 Single Temp. Pneumatic Metering
- PML2 Dual Temp. Pneumatic Metering
- E1L1 Single Temp. Electronic (pick control)*
- E1L2 Dual Temp. Electronic (pick control)*

4.) Lavatory Valve Actuation:

- PBH Ligature-resistant Pneumatic Push Buttons
- PZPB Ligature-resistant Piezo Electronic Push Buttons

5.) Electronic Controls* (Must Use Electronic Push Button):

- WUCC-3010 Pneutronic WMSII
- (The WUCC-3010 Control can be used to pair a Sink with a Toilet)

6.) Hole Punching:

- 4CC 4" Centerset, Ø1-1/4" Holes (Specify 2 or 3 holes: ____)
- 8CC 8" Centerset, Ø1-1/4" Holes (Specify 2 or 3 holes: ____)
- 1CC Center Shank, (1) Ø1-1/4" Hole
- SP Special Punching (Specify hole punching dim.)
SP: _____

7.) Lavatory Waste:

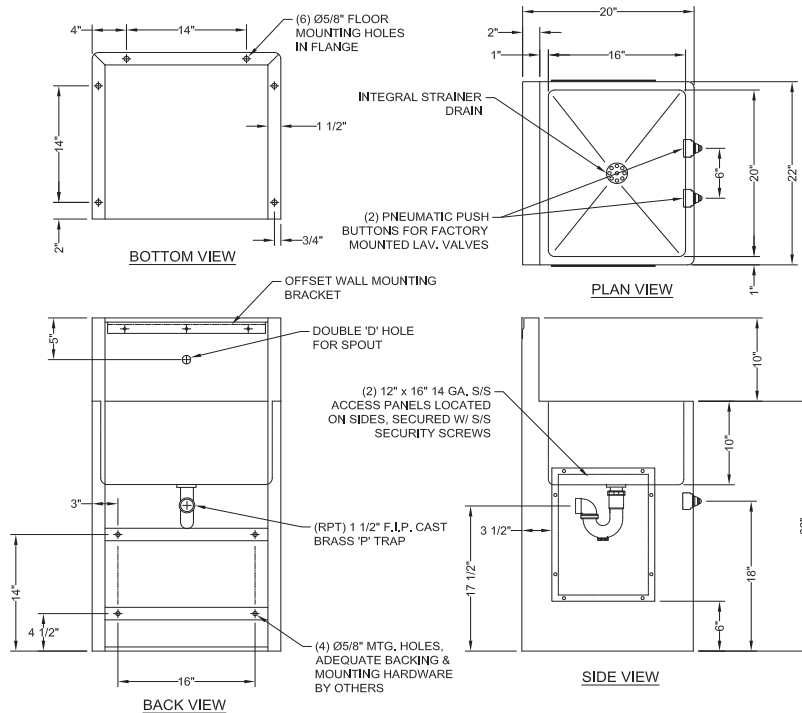
- RPT Removable 'P'-Trap (Standard)

8.) Options:

- MT Wall Template
 - SD Surface Mounted Soap Dish
 - TF24H Hard-wired Transformer, 110VAC to 24VAC*
 - TF24P Plug-in Transformer, 110VAC to 24VAC*
 - VG Ventilation Grille (Specify Location and Free Area)
 - DC Decorator Color (Fixture exterior only - White)
 - TG 12 Gauge Cabinet
 - Other: _____
 - Other: _____
- *(Req. 110V power through ground fault interrupter (GFCI) receptacle)

Approved For Manufacturing By: _____ Date: _____ Company: _____
 Wall Thickness: _____ Wall Type: _____

VERIFY ALL DIMENSIONS WITH FACTORY PRIOR TO ROUGH-IN
 WILLOUGHBY RESERVES THE RIGHT TO MAKE CHANGES IN DESIGN AND DIMENSIONS WITHOUT FORMAL NOTICE AND WITHOUT INCURRING OBLIGATION.



visit our website at www.willoughby-ind.com
 5105 West 78th Street • Indianapolis, IN. 46268
 (317) 875-0830 • Fax: (317) 875-0837 • (800) 428-4065



MADE IN THE U.S.A.