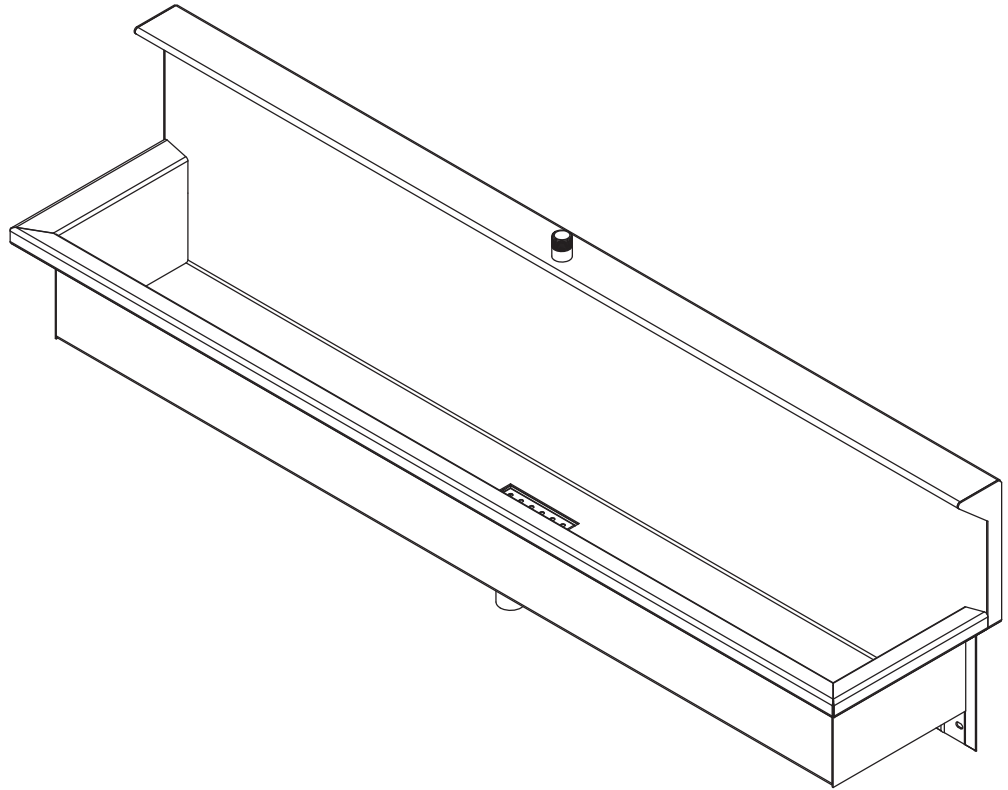


UW-1800-FA Series Stainless Steel Multi-Person Front Mounted Washout Trough Urinal



(Unit may be shown with optional features)

To specify fixture and accessories, use the Model Number and Options page.

Example: To specify a Stainless Steel, Multi-Person, Front Mounted, Washout Trough Urinal, 60" length with Top Spud

Use the following Willoughby Model Number: **UW-1860-FA-TS**

Recommended Specifications

Stainless Steel, Multi-Person, Front Mounted, Washout Trough Urinal shall be: Willoughby Model No. **UW-18__-FA**
(Select from model number and options list on next page)

Fixture is fabricated from 14 gauge, Type 304 stainless steel. The construction shall be all-welded with exposed stainless surfaces polished to a #4 satin finish.

Standard equipment shall include:

- Beehive strainer with tailpiece
- Full length back wall flushing chamber with $\text{\O}1/4$ " holes, spaced 1" apart

Anchoring shall be from Z-clip and anchoring holes provided. Anchoring hardware by others.

Unit requires no chase area for installation and maintenance unless specified with any options requiring an accessible chase.



WARNING: Cancer and Reproductive Harm

- www.P65Warnings.ca.gov

visit our website at www.willoughby-ind.com
5105 West 78th Street • Indianapolis, IN. 46268
(317) 875-0830 • Fax: (317) 875-0837 • (800) 428-4065



MADE IN THE U.S.A.

MODEL NUMBER AND OPTIONS:

1.) Base Model Number:

- UW-1836-FA 36" Stainless Steel, Multi-Person, Front Mounted, Washout Trough Urinal (Wall Outlet)
- UW-1848-FA 48" Stainless Steel, Multi-Person, "
- UW-1860-FA 60" Stainless Steel, Multi-Person, "
- UW-1872-FA 72" Stainless Steel, Multi-Person, "
- UW-1896-FA 96" Stainless Steel, Multi-Person, "

2.) Inlet Location:

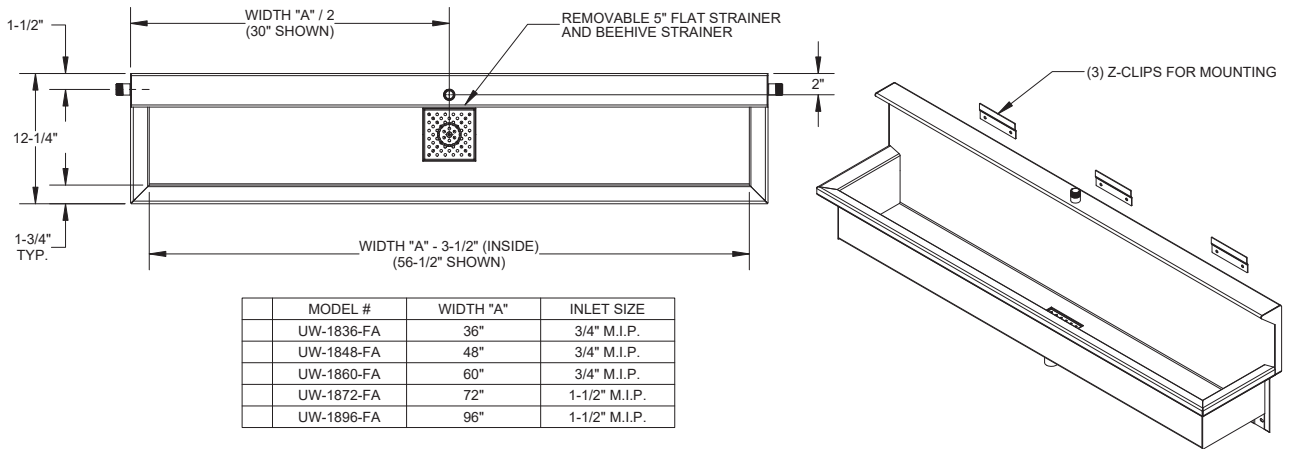
- TS Top Spud
- LS Left Spud
- RS Right Spud

3.) Options:

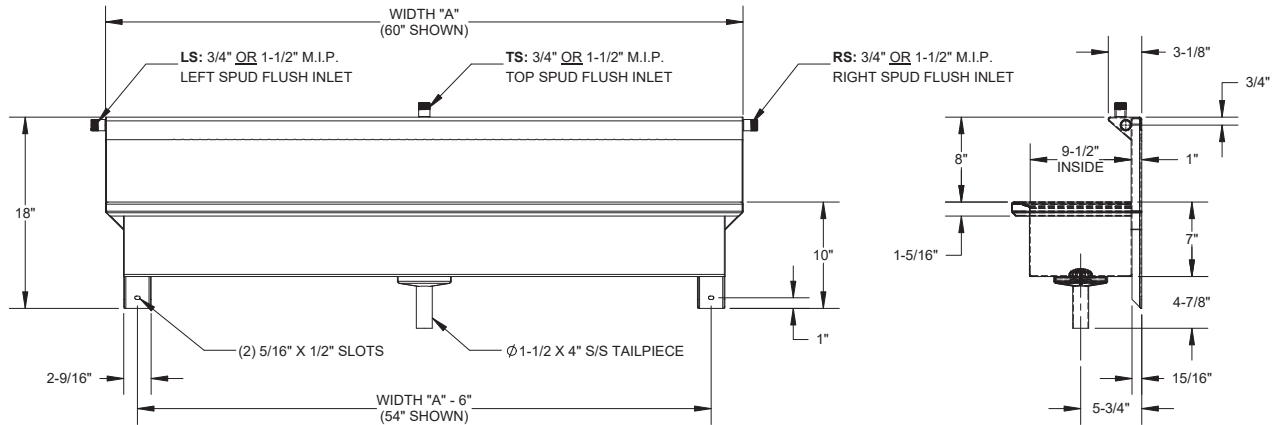
- TE Trap Enclosure
- Other _____
- Other _____

Approved For Manufacturing By: _____ Date: _____ Company: _____
 Wall Thickness: _____ Wall Type: _____

VERIFY ALL DIMENSIONS WITH FACTORY PRIOR TO ROUGH-IN
 WILLOUGHBY RESERVES THE RIGHT TO MAKE CHANGES IN DESIGN AND DIMENSIONS WITHOUT FORMAL NOTICE AND WITHOUT INCURRING OBLIGATION.



MODEL #	WIDTH "A"	INLET SIZE
UW-1836-FA	36"	3/4" M.I.P.
UW-1848-FA	48"	3/4" M.I.P.
UW-1860-FA	60"	3/4" M.I.P.
UW-1872-FA	72"	1-1/2" M.I.P.
UW-1896-FA	96"	1-1/2" M.I.P.



visit our website at www.willoughby-ind.com
 5105 West 78th Street • Indianapolis, IN. 46268
 (317) 875-0830 • Fax: (317) 875-0837 • (800) 428-4065



MADE IN THE U.S.A.