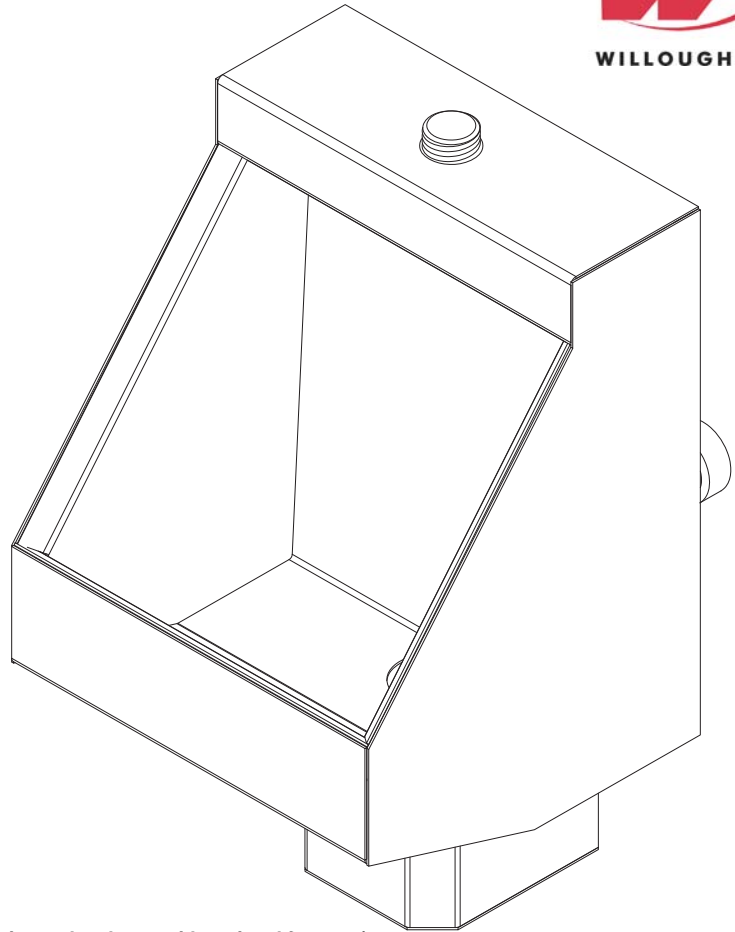


## UW-1814-BJ Stainless Steel Single Person Rear Mounted Blowout Flush Trough Urinal



*(Unit may be shown with optional features)*

To specify fixture and accessories, use the Model Number and Options page.

Example: To specify a Stainless Steel, Single Person, Rear Mounted, Blowout Flush Trough Urinal with top spud, hydraulic flush valve, and wall sleeve

Use the following Willoughby Model Number:

**UW-1814-BJ-TS-FV-WS**

## Recommended Specifications

Stainless Steel, Single Person, Rear Mounted, Blowout Flush Trough Urinal shall be: Willoughby Model No. **UW-1814-BJ** (Select from model number and options list on next page)

Fixture is fabricated from 14 GA., Type 304 stainless steel. The construction shall be all-welded with exposed stainless surfaces polished to a #4 satin finish.

Standard equipment shall include:

- Full perimeter 360° flushing rim
- Integral stainless steel P-trap

Urinal shall be blowout type which requires 25 PSI minimum flushing pressure. Trap shall be fully enclosed and maintain a 3" seal.

Anchoring shall be by a standard 4-point system: threaded rods, nuts and washers furnished for walls up to 8" thick.

Unit requires chase area for installation and maintenance.



**WARNING:** Cancer and Reproductive Harm

- [www.P65Warnings.ca.gov](http://www.P65Warnings.ca.gov)

visit our website at [www.willoughby-ind.com](http://www.willoughby-ind.com)  
5105 West 78th Street • Indianapolis, IN. 46268  
(317) 875-0830 • Fax: (317) 875-0837 • (800) 428-4065



MADE IN THE U.S.A.

# MODEL NUMBER AND OPTIONS:

**1.) Base Model Number:**

UW-1814-BJ      Stainless Steel, Single Person, Rear Mounted, Blowout Flush Trough Urinal

**2.) Inlet Location:**

BS      Back Spud  
 TS      Top Spud

**3.) Flush Valve GPF (Must Specify):**

1.5 GPF  
 1.0 GPF Low Flow

**4.) Options:**

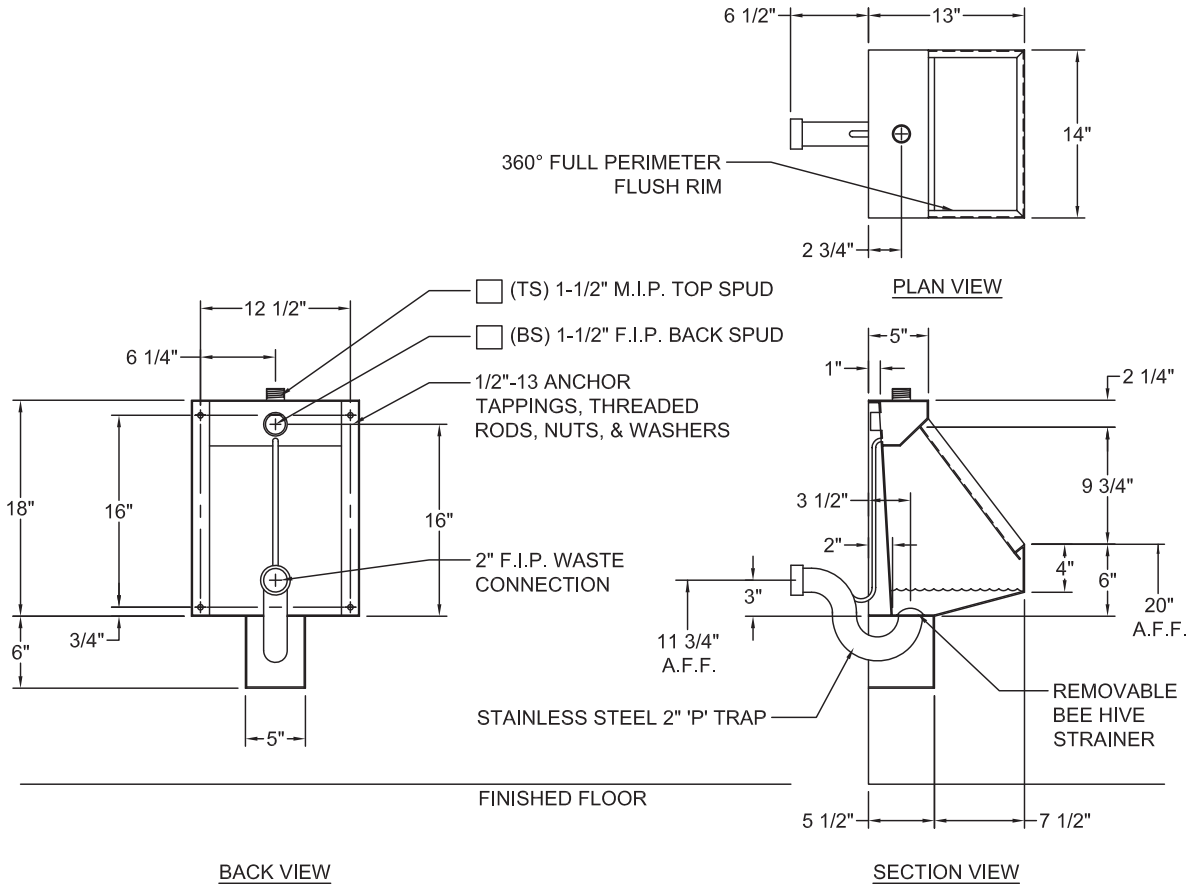
MT      Wall Template  
 WS      Wall Sleeve (Requires Accessible Chase)  
 FV      Hydraulic Flush Valve (Includes Actuator)  
 EFV      Electronic Flush Valve (Pick Control)\*  
 EFVP      Electronic Flush Valve w/ (PZPB) Ligature-resistant Piezo Push Button (Pick Control)\*  
 ASUFVC      Ligature-resistant Urinal Flush Valve Cover (Top Spud Only)  
 FVT      Flush Valve Connection (Back Spud Only)  
 AP      Flush Valve Access Panel (Allows access to chase mounted flush valve from fixture side)  
 TF24H      Hard-wired Transformer, 110VAC to 24VAC\*  
 TF24P      Plug-in Transformer, 110VAC to 24VAC\*  
 Other \_\_\_\_\_  
 Other \_\_\_\_\_

**5.) Electronic Controls\* (Must Use Electronic Flush Valve):**

WUFC-4000       Pneutronic       WMSII  
 \*(Req. 110V power through ground fault interrupter (GFCI) receptacle)

Approved For Manufacturing By: \_\_\_\_\_ Date: \_\_\_\_\_ Company: \_\_\_\_\_  
 Wall Thickness: \_\_\_\_\_ Wall Type: \_\_\_\_\_

**VERIFY ALL DIMENSIONS WITH FACTORY PRIOR TO ROUGH-IN**  
 WILLOUGHBY RESERVES THE RIGHT TO MAKE CHANGES IN DESIGN AND DIMENSIONS WITHOUT FORMAL NOTICE AND WITHOUT INCURRING OBLIGATION.



BACK VIEW

SECTION VIEW

visit our website at [www.willoughby-ind.com](http://www.willoughby-ind.com)

5105 West 78th Street • Indianapolis, IN. 46268

(317) 875-0830 • Fax: (317) 875-0837 • (800) 428-4065



MADE IN THE U.S.A.