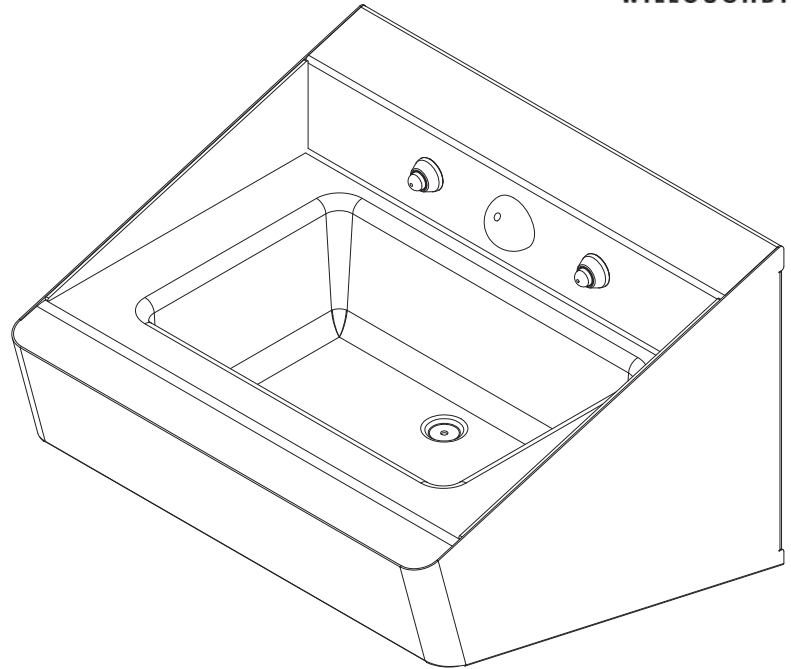


WBLS-2018-HC Stainless Steel Ligature-resistant Rear Mounted Behavioral Lavatory



(Unit may be shown with optional features)



To specify fixture and accessories, use the Model Number and Options page.
Example: To specify a Ligature-resistant Rear Mounted Stainless Steel Behavioral Lavatory with ligature-resistant bubbler/filler, dual temp. pneumatic metering valve, ligature-resistant pneumatic push buttons, and elbow waste
Use the following Willoughby Model Number:
WBLS-2018-HC-BPH-PML2-PBH-EB

Recommended Specifications

Stainless Steel, Ligature-resistant, Rear Mounted, Behavioral Lavatory shall be: Willoughby Model No. **WBLS-2018-HC** (Select from model number and options list on next page)

Wall-hung angular profile fixture shall accommodate one user and is designed to minimize ligature points. Fixture shall be fabricated from 14GA. / 16GA. Type 304 stainless steel. The construction shall be all welded, with exposed stainless surfaces polished to a #4 satin finish.

- Standard lavatory shall include:
- Rectangular bowl, 14" x 9" x 5" deep
 - Stainless steel ligature-resistant bubbler/filler
 - Slow drain with air vent
 - Elbow waste (1-1/2" Plain End)
 - Angular profile with sloped top
 - 0.5 GPM flow rate

* Use "DFMH" suffix to be CBC compliant

Vandal Resistance/Safety Features:

The bubbler, push buttons, and slow drain are non-removable from the user-side and are designed to minimize ligature points. Supply and waste connections are concealed within the lavatory cabinet, with valves and water supplies remotely located in the mechanical chase. The lavatory is rear-access and does not have any exposed fasteners.

ADA and ANSI Compliant:

When the lavatory is mounted at the standard adult rim height it is designed to comply with all applicable ADA and ANSI (Z124.3 and Z124.6) accessibility guidelines.

Mounting:

Anchoring shall be by standard 4-point system: threaded rods, nuts and washers shall be furnished for walls up to 8" thick. Unit shall require chase area for installation and maintenance; proper backing for lavatory mounting provided by others.



WARNING: Cancer and Reproductive Harm

- www.P65Warnings.ca.gov

visit our website at www.willoughby-ind.com
5105 West 78th Street • Indianapolis, IN. 46268
(317) 875-0830 • Fax: (317) 875-0837 • (800) 428-4065



MADE IN THE U.S.A.

MODEL NUMBER AND OPTIONS:

1.) Base Model Number:

- WBLS-2018-HC Stainless Steel, Ligature-resistant,
Rear Mounted, Behavioral Lavatory

2.) Bubbler Selection:

- BPH Ligature-resistant Bubbler/Filler (Standard)
 FLH Ligature-resistant Lav. Filler

2A.) ADA/CBC Drinking Fountain Bubbler Selection:

- DFBH Ligature-resistant DM Drinking Fountain Bubbler**
**(Compliant to ADA, Sec 602.5, w/ Panel Mounted Push Button)

3.) Lavatory Valve Selection:

- NV No Valve
 PML1 Single Temp. Pneumatic Metering
 PML2 Dual Temp. Pneumatic Metering
 E1L1 Single Temp. Electronic (pick control)*
 E1L2 Dual Temp. Electronic (pick control)*

Valve Manifold Options:

Pneumatic or Electronic Only:

- MA2 MA3 MA4

4.) Lavatory Valve Actuation:

- PBH Ligature-resistant Push Buttons
 PZPB Ligature-resistant Piezo Electronic Push Buttons*

5.) Electronic Controls* (Must Use Electronic Push Button):

- WUCC-3010 Pneutronic WMSII
(The WUCC-3010 Control can be used to pair a Lavatory with a Toilet)

6.) Lavatory Waste:

- EB Elbow Waste (Standard)
 LWE Lavatory Waste Extension
 OV Lavatory Overflow
 SLOW Slow Drain (Standard)
 LW1 Thru-Wall Extension, 'P'-Trap
 LW2 Thru-Wall Extension and Clean-Out
 LWC1 Coupling, 1-1/2" Tube to 1-1/2" Tube
 LWC2 Coupling, 1-1/2" Tube to 1-1/2" PVC/Cast Iron

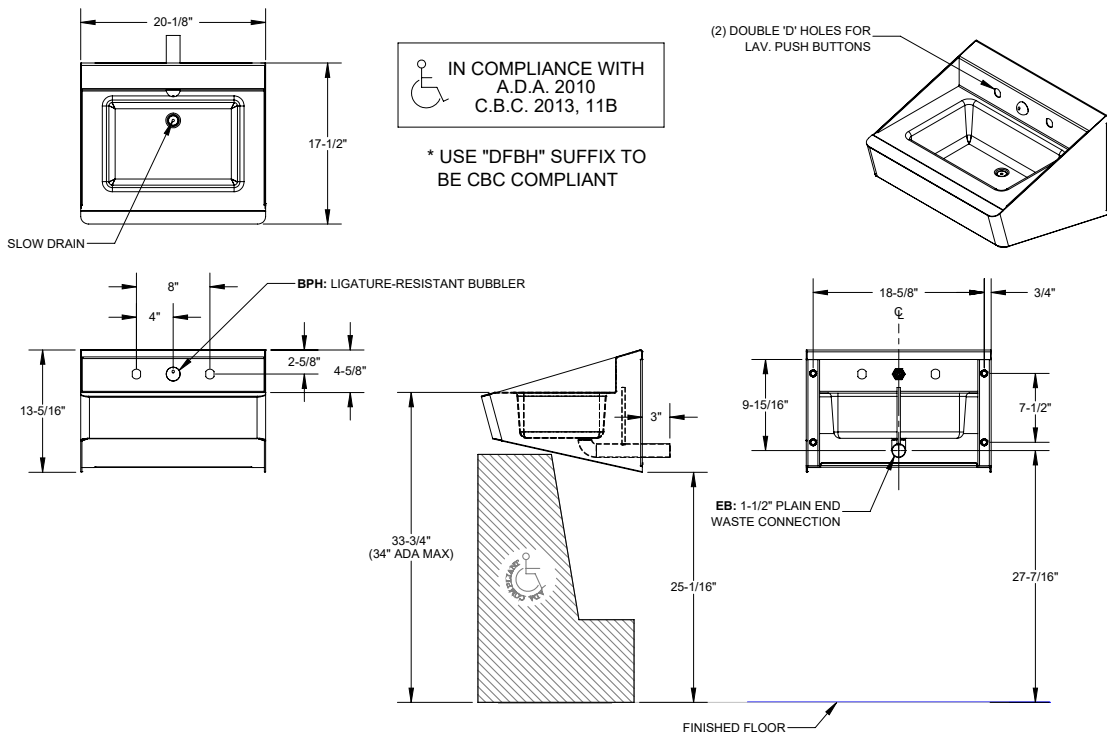
7.) Options:

- MT Wall Template
 TF24H Hard-wired Transformer, 110VAC to 24VAC*
 TF24P Plug-in Transformer, 110VAC to 24VAC*
 TH1 Single Towel Hook
 TH2 Dual Towel Hook
 WS Wall Sleeve (Requires Accessible Chase)
 DC Decorator Color
 TMV In-line Thermostatic Mixing Valve
 Other: _____
 Other: _____

*(Req. 110V power through ground fault interrupter (GFCI) receptacle)

Approved For Manufacturing By: _____ Date: _____ Company: _____
Wall Thickness: _____ Wall Type: _____

VERIFY ALL DIMENSIONS WITH FACTORY PRIOR TO ROUGH-IN
WILLOUGHBY RESERVES THE RIGHT TO MAKE CHANGES IN DESIGN AND
DIMENSIONS WITHOUT FORMAL NOTICE AND WITHOUT INCURRING OBLIGATION.



visit our website at www.willoughby-ind.com

5105 West 78th Street • Indianapolis, IN. 46268

(317) 875-0830 • Fax: (317) 875-0837 • (800) 428-4065



MADE IN THE U.S.A.