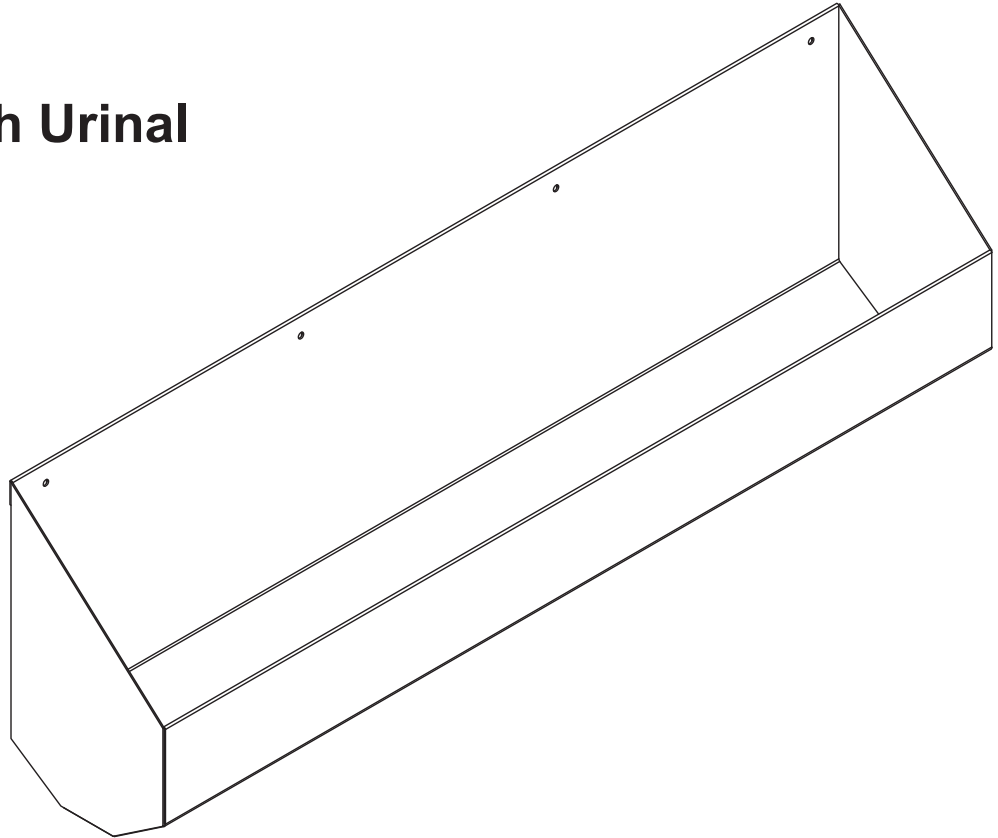




WWU-1500 Series Stainless Steel Multi-Person Waterless Trough Urinal



(Unit may be shown with optional features)

To specify fixture and accessories, use the Model Number and Options page.

Example: To specify a 36" Stainless Steel, Multi-Person Waterless Trough Urinal

Use the following Willoughby Model Number:

WWU-1536

Recommended Specifications

Stainless Steel, Multi-Person Waterless Trough Urinal shall be:
Willoughby Model No. **WWU-15**____
(Select from model number and options list on next page)

Fixture is fabricated from 14 GA., Type 304 stainless steel. The construction shall be all-welded with exposed stainless surfaces polished to a #4 satin finish.

Standard equipment shall include:

- Beehive strainer with Ø1-1/2", 2" long tailpiece

Anchoring shall be from the front, anchoring holes provided.
Anchor hardware by others.

Unit requires no chase area for installation and maintenance.



WARNING: Cancer and Reproductive Harm

- www.P65Warnings.ca.gov

visit our website at www.willoughby-ind.com
5105 West 78th Street • Indianapolis, IN. 46268
(317) 875-0830 • Fax: (317) 875-0837 • (800) 428-4065



MADE IN THE U.S.A.

MODEL NUMBER AND OPTIONS:

1.) Base Model Number:

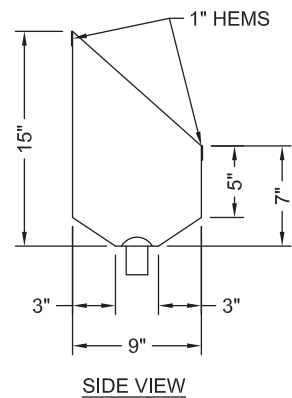
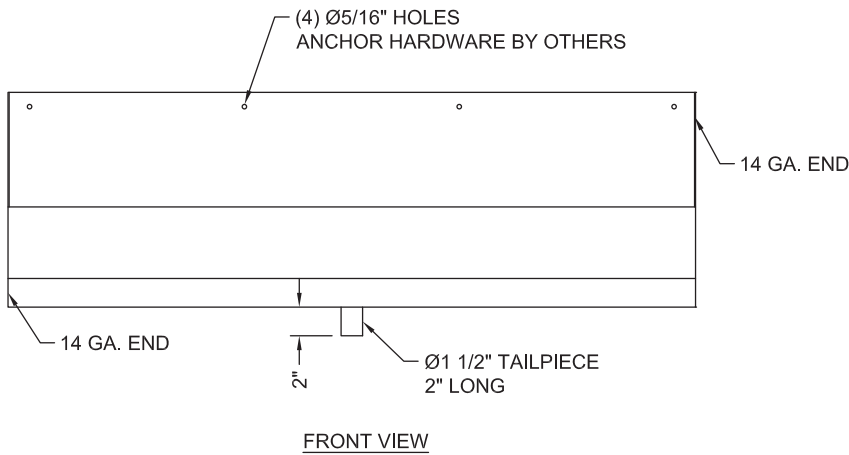
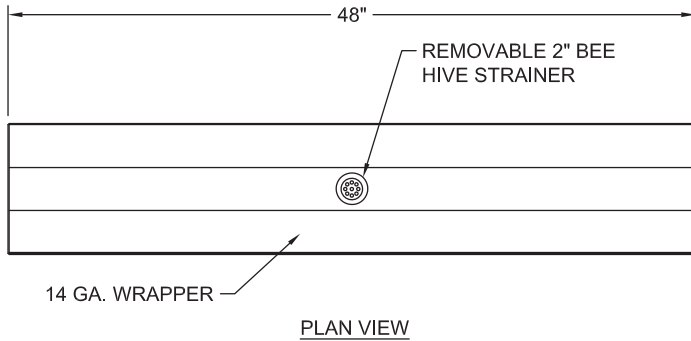
- WWU-1536 36" Stainless Steel, Multi-Person, Waterless Trough Urinal
- WWU-1548 48" Stainless Steel, Multi-Person, Waterless "
- WWU-1560 60" Stainless Steel, Multi-Person, Waterless "
- WWU-1572 72" Stainless Steel, Multi-Person, Waterless "
- WWU-1596 96" Stainless Steel, Multi-Person, Waterless "

2.) Options:

- BKSPL36 36" x 36" 14 GA. Stainless Steel Backsplash
- BKSPL48 36" x 48" 14 GA. "
- BKSPL60 36" x 60" 14 GA. "
- BKSPL72 36" x 72" 14 GA. "
- BKSPL96 36" x 96" 14 GA. "
- Other _____
- Other _____

Approved For Manufacturing By: _____ Date: _____ Company: _____
 Wall Thickness: _____ Wall Type: _____

VERIFY ALL DIMENSIONS WITH FACTORY PRIOR TO ROUGH-IN
 WILLOUGHBY RESERVES THE RIGHT TO MAKE CHANGES IN DESIGN AND DIMENSIONS WITHOUT FORMAL NOTICE AND WITHOUT INCURRING OBLIGATION.



visit our website at www.willoughby-ind.com
 5105 West 78th Street • Indianapolis, IN. 46268
 (317) 875-0830 • Fax: (317) 875-0837 • (800) 428-4065



MADE IN THE U.S.A.