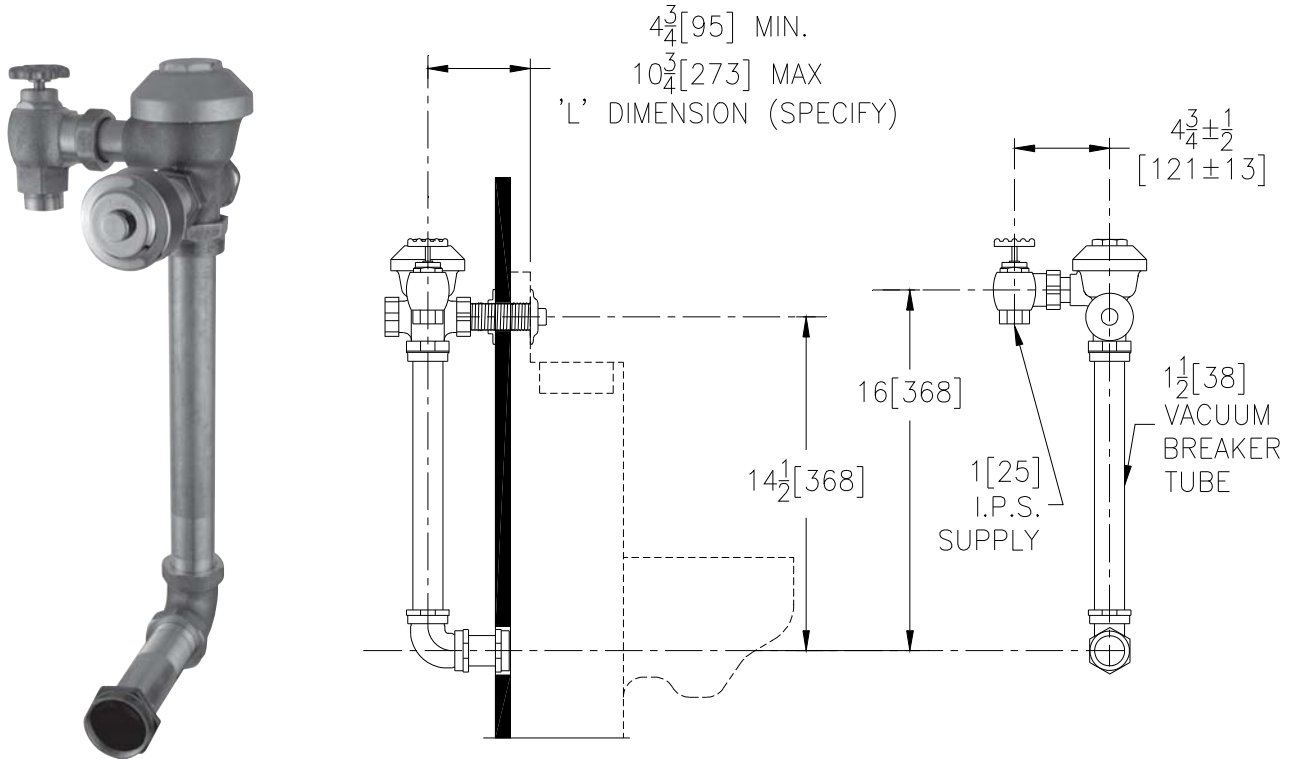




Concealed Z6603AV Model for Combination Lavatory/Closet Penal Fixtures



Flow Options

- WS1 1.6 gpf
- FF 4.5 gpf
- WS 3.5 gpf
- HET 1.28 gpf

Suffix Options (Check/Specify Appropriate Options)

- _____ Other

ENGINEERING SPECIFICATION: ZURN Z6603AV AquaVantage® 'AV' Concealed Penal Valve- Concealed, quiet diaphragm-type, rough brass flushometer valve with Zurn's AquaVantage® TPE, chloramine resistant, dual seal diaphragm with a clog resistant, triple filtered by-pass. The valve incorporates a non-hold-open, no leak push button with a 1"[25] metal push button, high back pressure vacuum breaker, one piece hex coupling nut, adjustable tailpiece and spud coupling for back spud connection. Control stop has internal siphon-guard protection and sweat solder kit. Internal seals are made of chloramine resistant materials.

Architectural/Engineering Approval