

**CODE NUMBER**

3325201

**DESCRIPTION**

Polished Chrome Finish, Fixture Connection Top Spud, Single Flush, Battery, Exposed Sensor Urinal/Water Closet Retrofit Flushometer.

**DETAILS**

- Finish: Polished Chrome (CP)
- Power Type: Battery
- Battery Life: 3 years
- Valve: Diaphragm/Piston
- Fixture Type: Urinal/Water Closet
- Fixture Connection: Top Spud

**FEATURES**

- "Low Battery" Flashing LED
- "User in View" Flashing LED
- Mechanical Manual Override Flush Handle
- Four (4) Size C Batteries included
- Battery Powered, Sensor Activated, Exposed, OPTIMA® SMOOTH® Unit for Closet and Urinal Flushometer Conversions with the following features:
- 72 Hour Sentinel Flush Mode
- ADA Compliant OPTIMA® SMOOTH® Battery Powered Infrared Sensor for automatic "Hands-free" operation

**COMPLIANCES & CERTIFICATIONS**

(ADA Compliant, cUPC Certified)

**ELECTRICAL SPECIFICATIONS**

- Arming Delay: 8 seconds
- Battery Life: 3 years
- Control Circuit: 6 VDC Input/72 Hour Sentinel Flush/Solid State
- Sensor Range: 26"-32" (660-813mm)

**VALVE OPERATING PRESSURE (FLOWING)**

15-80 PSI (103-552 kPa). Specific fixtures may require greater minimum flowing pressure - consult manufacturer requirements.

**DOWNLOADS**

- [EBV 200 Installation Instructions](#)
- [EBV-200-A Repair and Maintenance Guide](#)
- [Additional Downloads](#)

**NOTES**

All information contained within this document subject to change without notice.

Looking for other variations of the EBV200A product? [View the general spec sheet with all options.](#)

[Find a compatible urinal](#) for this flushometer.

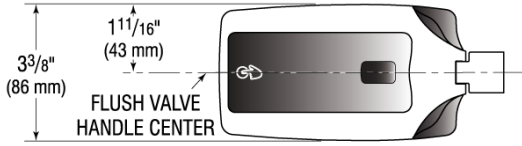
[Find a compatible water closet](#) for this flushometer.

Sloan 10500 Seymour Ave, Franklin Park, IL 60131

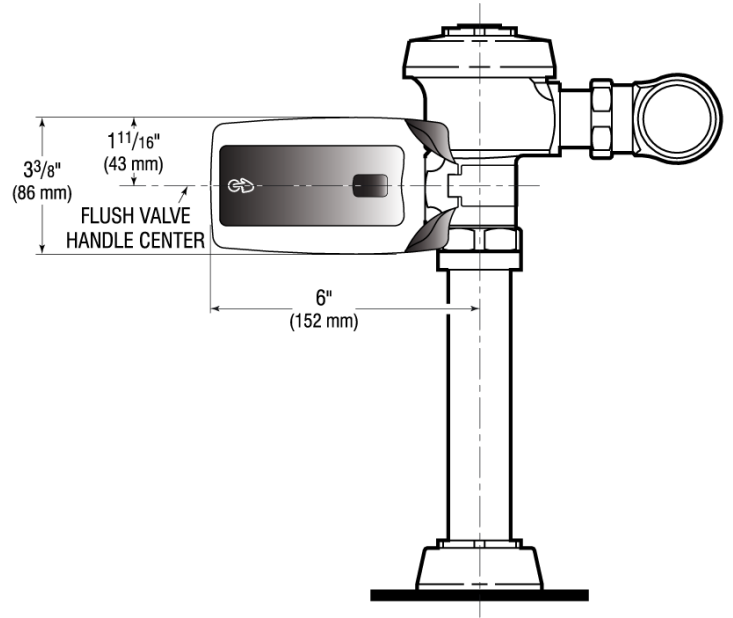
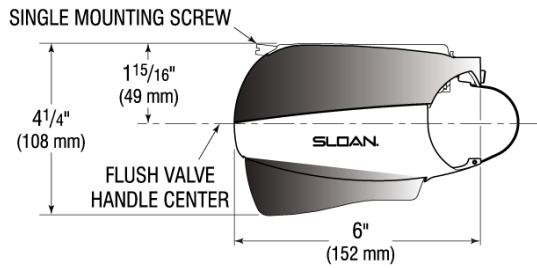
Phone: 800.982.5839 • Fax: 800.447.8329 • [sloan.com](http://sloan.com)

**ROUGH-IN**

**FRONT VIEW**



**TOP VIEW**



**Sloan 10500 Seymour Ave, Franklin Park, IL 60131**

Phone: 800.982.5839 • Fax: 800.447.8329 • [sloan.com](http://sloan.com)