

CODE NUMBER

3346050

DESCRIPTION

Polished Chrome Finish, Optima® Deck-Mounted Liquid Soap Dispenser.

DETAILS

- Finish: Polished Chrome (CP)
- Power Type: Battery
- Height: 4 ¼" (108mm)
- Width: 1 813/1000" (46mm)
- Depth: 5 ⅜" (137mm)
- Sensor Type: IR

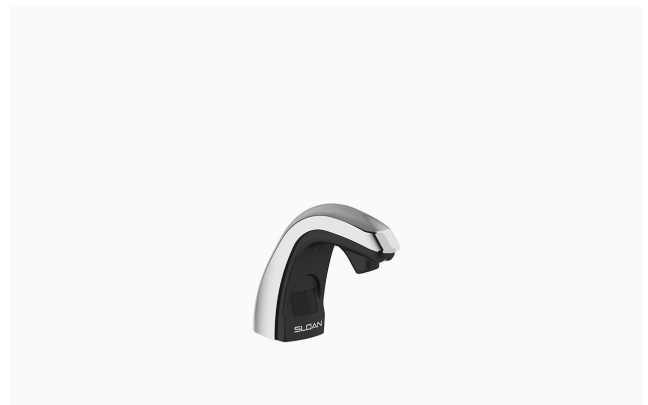
FEATURES

Sensor Activated, Electronic, Chrome Plated Die Cast Body, Hand Washing Liquid Soap Dispenser with the following features:

- Modular One-piece Construction and easily attaches to deck surface
- Four (4) D-size Alkaline Batteries included
- Low Battery Indicator
- Low Soap Level Indicator
- Black Plastic Throat Plate
- All mounting hardware included
- Easy Loading Disposable Soap Refills
- New Pump and Delivery Tube with each Refill
- Unit supplied with one 800 ml. Container of Lotion Soap

SOAP REFILLS

- ESD-217 (800mL)
- ESD-232 (1600mL)
- ESD-231 (800mL)
- ESD-233 (1600mL)



COMPLIANCES & CERTIFICATIONS



(ADA Compliant)

RECOMMENDED SPECIFICATION

Sloan Optima Liquid Soap Dispenser model number ESD-250. Chrome plated finish with black plastic throat plate.

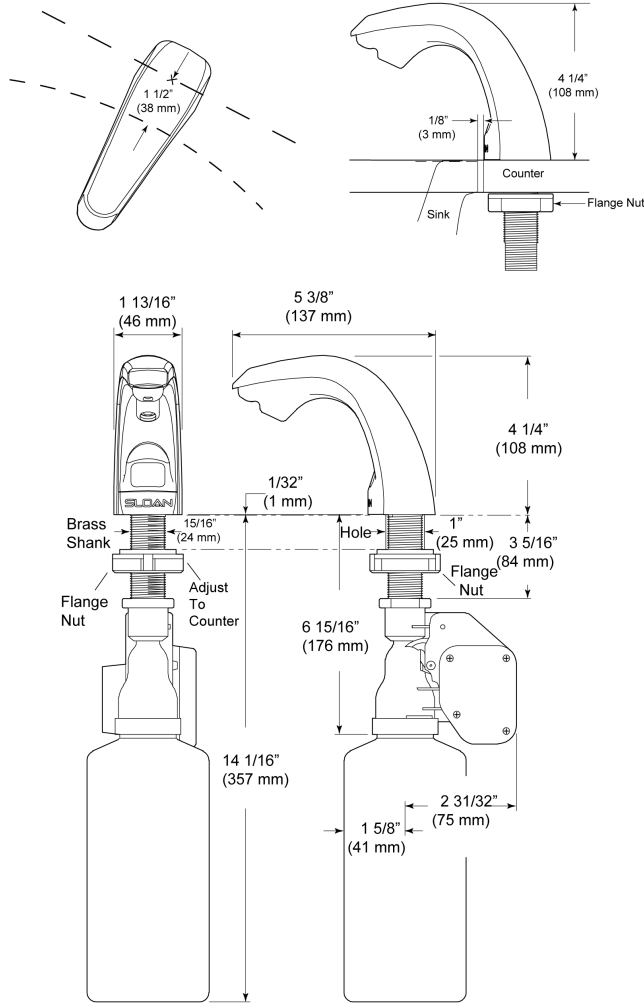
DOWNLOADS

- [ESD 200/250/300/350 Installation Instructions](#)
- [ESD-200/250/300/350 Repair and Maintenance Guide](#)
- [Additional Downloads](#)

NOTES

All information contained within this document subject to change without notice.

ROUGH-IN



Sloan 10500 Seymour Ave, Franklin Park, IL 60131
 Phone: 800.982.5839 • Fax: 800.447.8329 • sloan.com