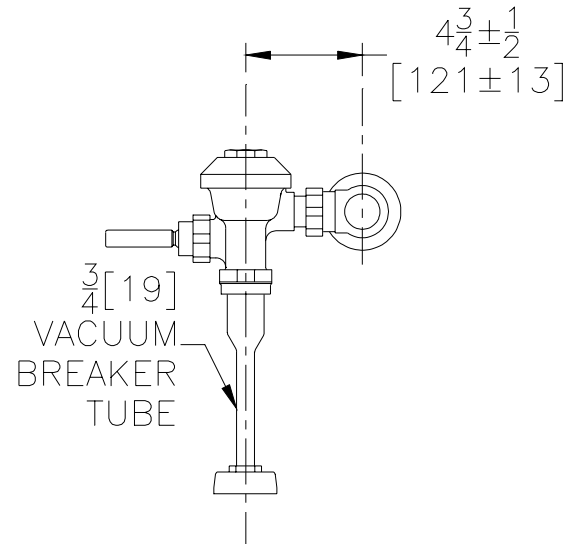
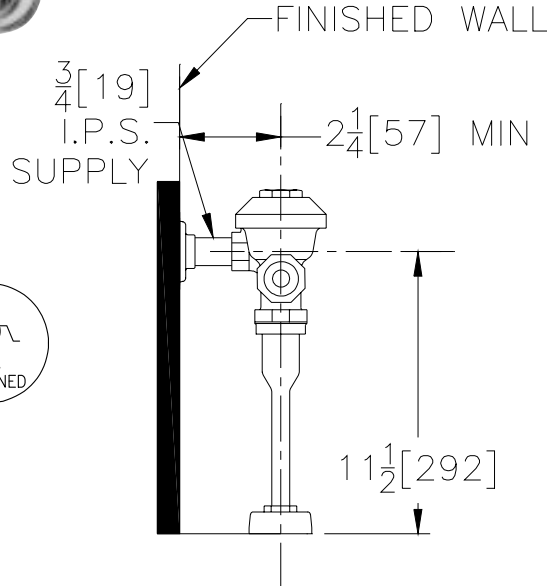




# Exposed Z6614AV Model For Penal Urinal Valves



### Flow Options

- WS1** 1.0 Gal. Low Consumption Flush
- Standard Flush** 1.5 Gallons Per Flush

### Suffix Options (Check/Specify Appropriate Options)

- \_\_\_\_\_ **-BG** BioCare ADA Handle
- \_\_\_\_\_ **-YJ** Split Ring Pipe Support
- \_\_\_\_\_ **-YK** Solid Ring Pipe Support
- \_\_\_\_\_ Other

### ENGINEERING SPECIFICATION: ZURN Z6614AV AquaVantage® 'AV' Exposed Urinal Flush Valve

- Exposed, quiet diaphragm-type, rough brass flushometer valve with Zurn's AquaVantage® TPE, chloramine resistant, dual seal diaphragm with a clog resistant, triple filtered by-pass. The valve ADA compliant with a non-hold-open, no leak handle feature. High back pressure vacuum breaker, one piece hex coupling nut, adjustable tailpiece, spud coupling and flange for top spud connection. Control stop has internal siphon-guard protection, vandal resistant stop cap, sweat solder kit and cast wall flange with set screw. Internal seals are made of chloramine resistant materials.

This space is for Architectural/engineering Approval