

TROUGH SINK - 6944-1000 SERIES

Item: _____



- 6944-1000** Trough Sink (Standard)
- 6944-10xx** Custom Trough Sink (Options on 2nd Page)

STANDARD FEATURES

- **Front Mounted, wall outlet waste.**
- Fabricated using 14 gauge type 304 stainless steel.
- Two integral stainless steel angle brackets.
- Die-stamped bottom for positive drainage.
- 1-1/4" diameter faucet holes.
- Integrally welded overflow drain.



Unit may be pictured with some optional features.



WARNING: Cancer and Reproductive Harm
- www.P65Warnings.ca.gov.

**► DESCRIPTION**

The 6944-1000 trough sink is a commercial grade sink used for hand washing. This sink is a wall mounted sink constructed of 14 gauge type 304 stainless steel. Alternative stainless steel options available, see options page. Overall sink size is 24" x 23.75" (610mm x 603mm). The unit is seamlessly welded to form a one-piece unit.

► INSTALLATION

This unit is mounted with standard "Z" clips and two integral angle brackets.

DRAINS

- A261** Grid drain with close elbow. (Standard)
- A270** Grid drain with tailpiece.
- NOF** No Overflow.

LAVATORY WASTE

- SJP** Brass slip joint P-Trap waste with cleanout 1-1/2" IPS outlet.

OPTIONS

- 316** Type 316 stainless steel for better corrosion resistance.
- PCC** Powder Coat - Anti-microbial White.

FAUCETS

- A306** Gooseneck faucet with wrist blade handles.
- A307** Chrome faucet with blade style handles.
- Other** Specify: _____

FAUCET SPACING

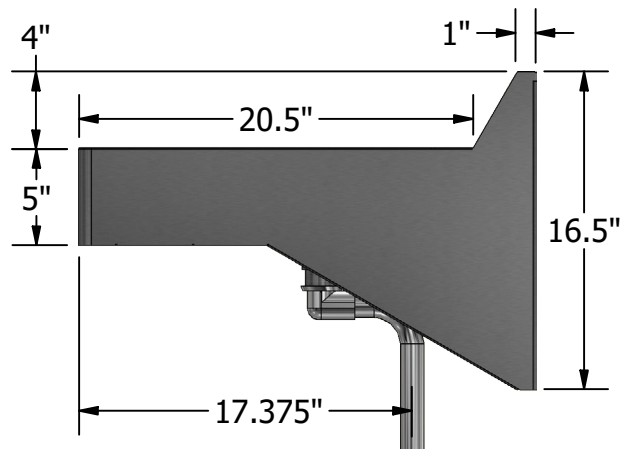
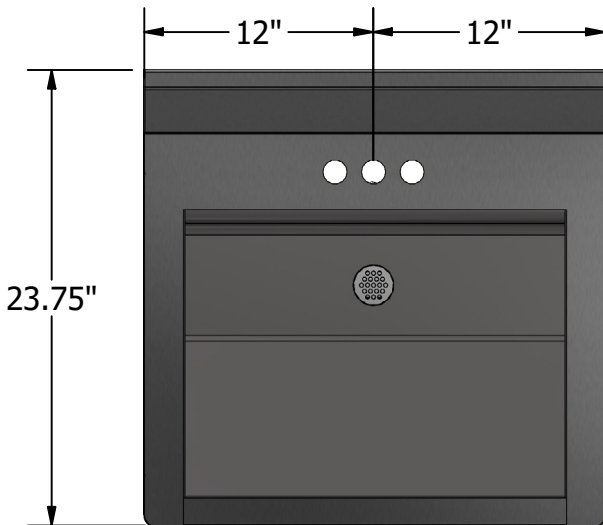
- YS** 20" Youth Spacing
- RS** 24" Regular Spacing
- HCS** 30" Handicap Spacing (*All Stations allow simultaneous handicap usage.*)
- ES** 36" Extended Spacing

VALVE PUNCHINGS (1-1/4" diameter hole)

- Single Hole Centered (Standard)
- Two Holes: 4" Center to Center
- Two Holes: 8" Center to Center
- Three Holes: 4" Center to Center
- Other** Specify: _____

HAND WASH SINK - 6944-1000 SERIES

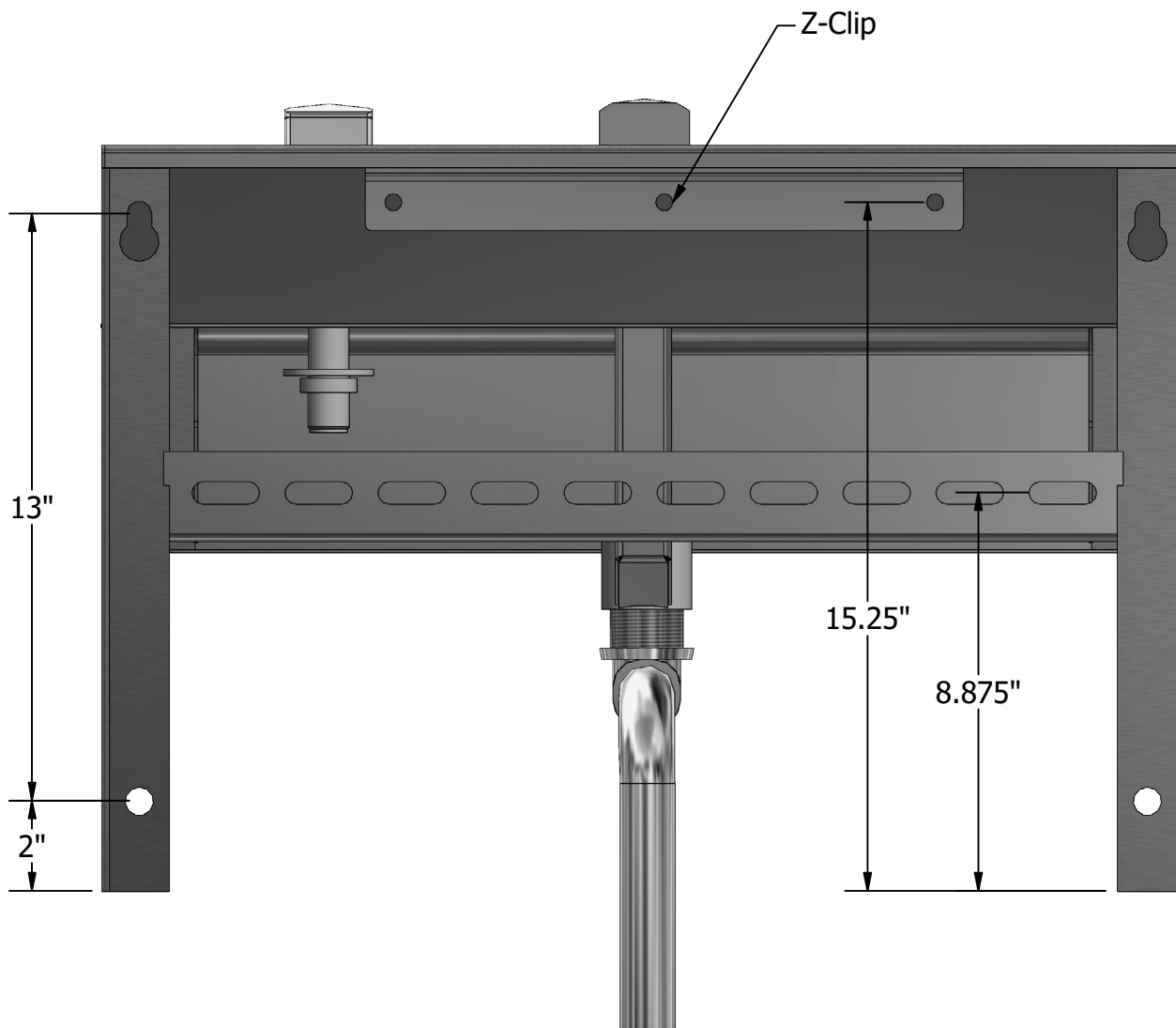
Item: _____



Due to continuous product improvement Metcraft reserves the right to make changes in design and specifications without prior notice. All dimensions should be verified with the factory for current information.

APPROVED FOR MANUFACTURING	Company: _____	Name: _____
	Signature: _____	Date: _____

Item: _____



HC Reference



These models are handicap compliant when installed according to your regional regulations. These fixtures can also be used in non-handicap situations.

