



RADI™ FOUNTAIN F140R

Suggested Specification

Model F140R shall deliver non-chilled water. Shall include one antimicrobial copper push button to activate the flow of water and a low flow one piece bubbler with flexible guard. The fountains shall be designed to eliminate splashing and standing water. Water saver bubbler reduce waste water by 50% and shall have flexible guard and operate between 20 and 100 PSI. Cabinet finish shall be brushed stainless steel. Shall comply with ANSI 117.1 and ADA. Shall be listed by Underwriters Laboratories to US and Canadian standards. Shall comply with ANSI/NSF 61 and NSF/ANSI 372.

Radii modular water cooler meets the needs of the physically challenged and the able-bodied.

Models

F140R: A light press of the push pad activates the water flow when the user approaches. Fountain has a manually operated copper button that required no electricity to activate.

Standard Features

- Built-in 100 micron strainer stops particles before they enter the waterway
- One antimicrobial push button
- Waterways are Lead-Free in materials & construction
- Flexible bubbler guard
- Brushed stainless steel finish

Finishes

- Standard cabinet finish: Stainless steel

Installation

- Prior to roughing consult with local, state and federal codes for proper mounting height
- Shipped with complete instructions and wall mounting bracket
- Water supply and drain required

Net weight approximately 19lbs

Options (at additional cost)

- Vandal resistant screw kit (036704-002)
- One piece chrome plated brass bubbler (036700-001)

Limited 1-Year Warranty

(Continental limits of the United States and Canada)
One year from date of installation on parts only. Detailed warranty certificate enclosed with each water cooler; sample available upon request.

Export Warranty

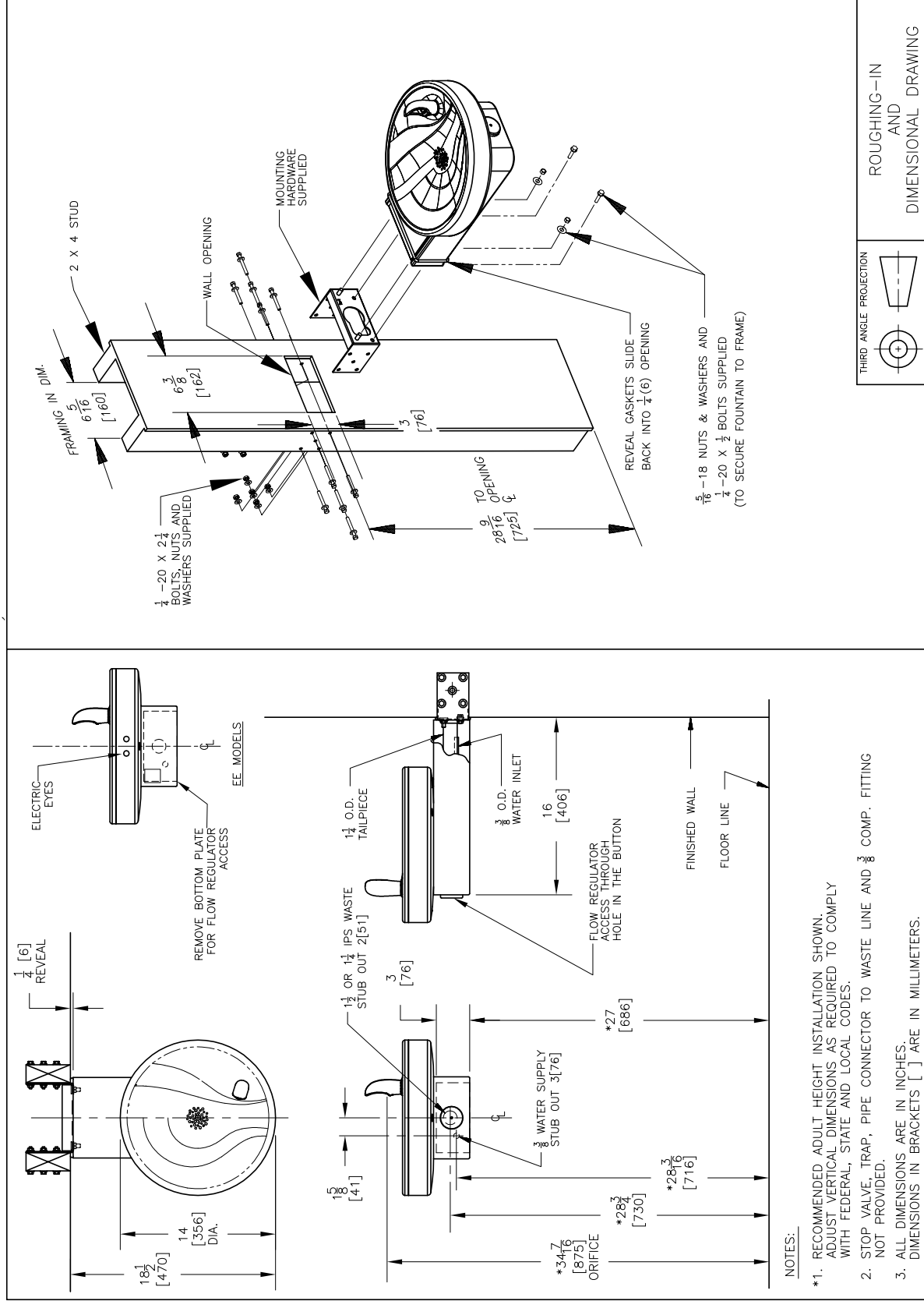
One year on components parts. Detailed warranty certificate enclosed with each drinking fountain; sample copy available upon request.

Certifications/Compliance

- Oasis International Electric Water Coolers are listed by Underwriters Laboratories Inc. and comply with both U.S. and Canadian Requirements.
- Product Certified to NSF/ANSI Standard 61-G & 372 and conforms with the lead content requirements for "Lead Free" plumbing as defined by California, Vermont, Maryland, and Louisiana state laws and the U.S. Safe Drinking Water Act.
- This unit complies with ARI standard 1010 Testing, Operating and Rating requirements (electric water coolers only).
- These waters coolers comply with the requirements of ADA (Americans with Disabilities Act) when properly installed.



OASIS® RADII DRINKING FOUNTAIN F140R



NOTES:

- RECOMMENDED ADULT HEIGHT INSTALLATION SHOWN. ADJUST VERTICAL DIMENSIONS AS REQUIRED TO COMPLY WITH FEDERAL, STATE AND LOCAL CODES.
- STOP VALVE, TRAP, PIPE CONNECTOR TO WASTE LINE AND $\frac{3}{8}$ COMP. FITTING NOT PROVIDED.
- ALL DIMENSIONS ARE IN INCHES. DIMENSIONS IN BRACKETS [] ARE IN MILLIMETERS.

Oasis International, 222 East View Campus View Blvd., Columbus, OH 43235
 For customer service and technical help line assistance call: 800.950.3226



www.oasiscoolers.com

Oasis, VersaCooler, Freshfield and VersaFilter are registered trademarks of LYD Acquisition, LLC dba Oasis International. © 2017 LYD Acquisition