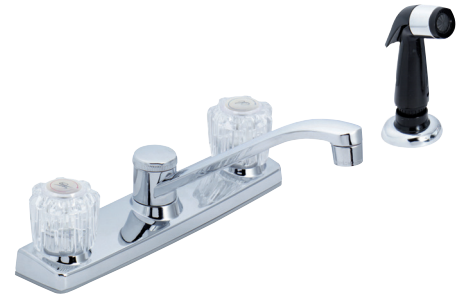
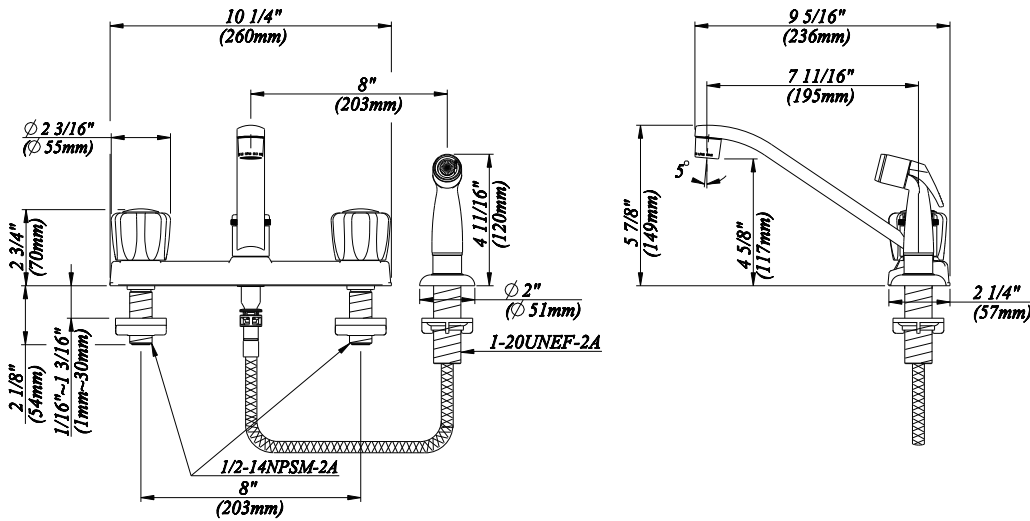


WASHERLESS

KITCHEN

Features:

- Acrylic round handles
- Washerless cartridges
- Black spray
- Water saving aerator
- 8" center distance



10161LF
Chrome Finish
With Black Spray

10163LF
Chrome Finish
Without Black Spray



EZ-FLO INTERNATIONAL, INC. • 2750 E. Misson Blvd. Ontario, CA USA 9761

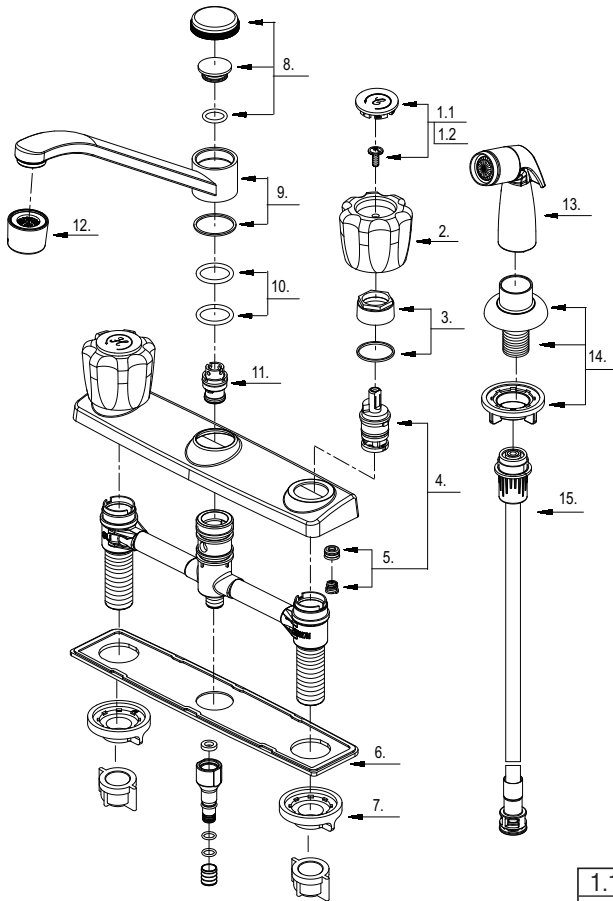
Technical Support: 888-328-2383

WASHERLESS

KITCHEN

Features:

- Acrylic round handles
- Washerless cartridges
- Black spray
- Water saving aerator
- 8" center distance



1.1	Index Button-Cold
1.2	Index Button- Hot
2	Acrylic Handle
3	Retainer Nut &Washer
4	Cartridge Assembly
5	Seat & Spring Set *2
6	Putty Plate
7	Lock Nut Set
8	Spout Trim Cap
9	Spout Set
10	O-Ring Set(Φ 7/8" ID * Φ 1-1/8" OD)
11	Spray Diverter w/Vacuum Breaker
12	Aerator
13	Side Spray
14	Spray Holder Assembly(3-15/16" L)
15	Spray Hose



10161LF
Chrome Finish
With Black Spray

10163LF
Chrome Finish
Without Black Spray

