



10190 10191

Two Handle Lavatory Faucet

FEATURES:

- *Metal Lever Handle*
- *Ceramic Cartridge*
- *100% Factory Pressure Tested*



APPLICABLE STANDARDS/CODES:

Specified model meets or exceeds the following:

- *ANSI/ASME A112.18.1*
- *ANSI/NSF 61 – Sec. 9*
- *cUPC*
- *ADA*



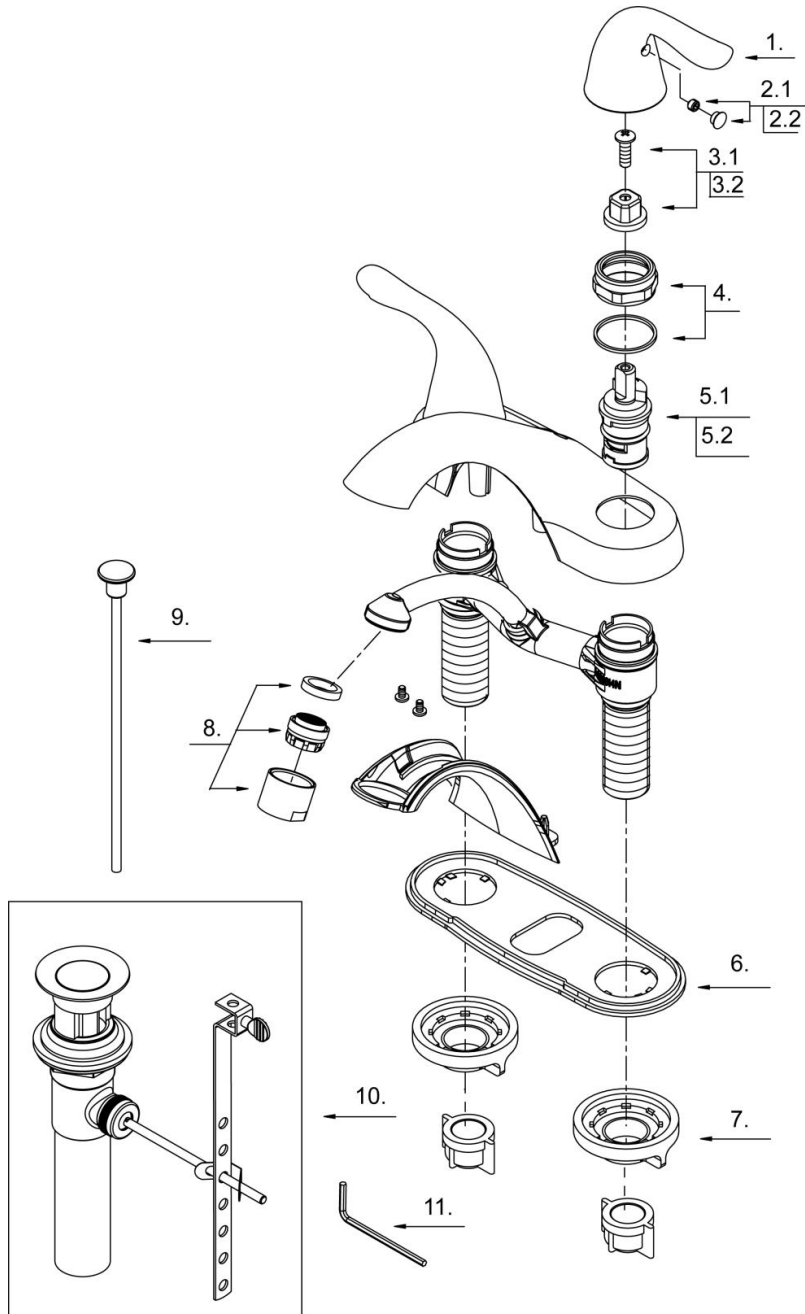
AVAILABLE FINISHES:

CP = Polished Chrome Finish
NP = Brushed Nickel Finish

SPECIFIED MODEL:

Model	Description	Finish
10190	Two handle lavatory faucet	CP
10191	Two handle lavatory faucet	NP

EXPLODED DRAWING





10190 10191

PARTS LISTING

No.	Part Name	Part No.
1	Metal Handle Assembly	A069115
2.1	Index Button-Cold	A603595C
2.2	Index Button-Hot	A603595H
3.1	Handle Adaptor-Cold	A66D574C
3.2	Handle Adaptor-Hot	A66D574H
4	Retainer Nut & Washer	A663631
5.1	Ceramic Disc Cartridge-Cold	A507104N
5.2	Ceramic Disc Cartridge-Hot	A507103N
6	Putty Plate	A011005
7	Lock Nut Set	A504023
8	Aerator	A500124N-53
9	Lift Rod	A025011
10	Pop-up Assembly	A556200
11	Hex Wrench (H2.5 * L * L)	A031000NI