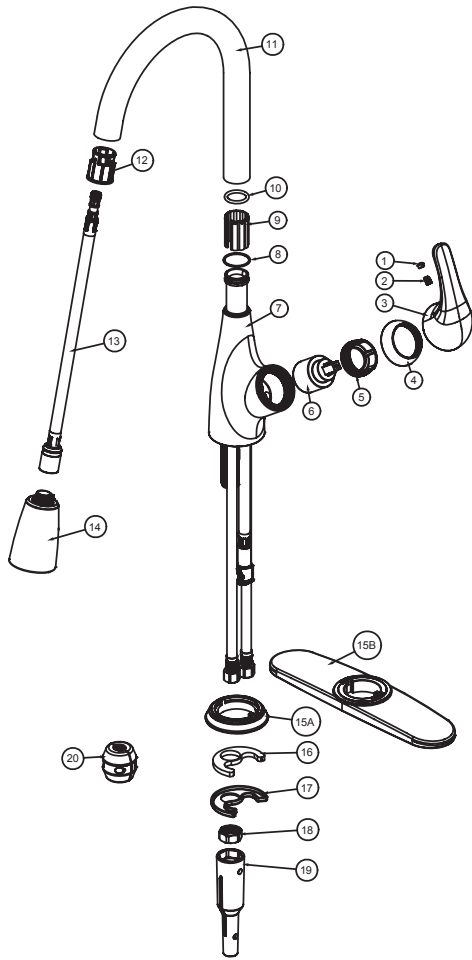
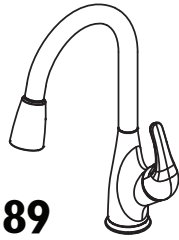




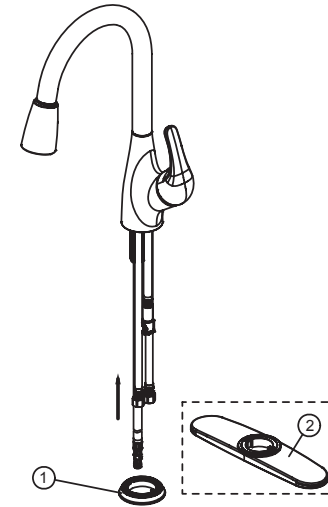
# Single Handle Kitchen Faucet With Pull-Down Spray

**I0388/I0389**



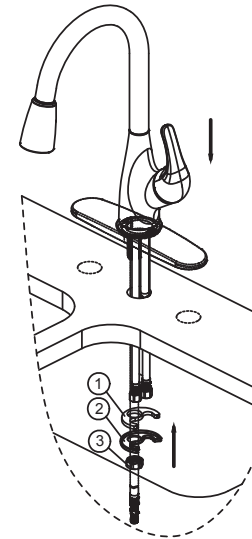
- |      |                |
|------|----------------|
| 1.   | Button         |
| 2.   | Set screw      |
| 3.   | Handle         |
| 4.   | Cap            |
| 5.   | Bonnet         |
| 6.   | Cartridge      |
| 7.   | Body           |
| 8.   | Spout washer   |
| 9.   | Swing bushing  |
| 10.  | O-RING         |
| 11.  | Spout          |
| 12.  | Spout bushing  |
| 13.  | Pull-down hose |
| 14.  | Spray header   |
| 15A. | Flange         |
| 15B. | Escutcheon     |
| 16.  | Rubber washer  |
| 17.  | Steel washer   |
| 18.  | Lock nut       |
| 19.  | Wrench         |
| 10.  | Weight         |

1



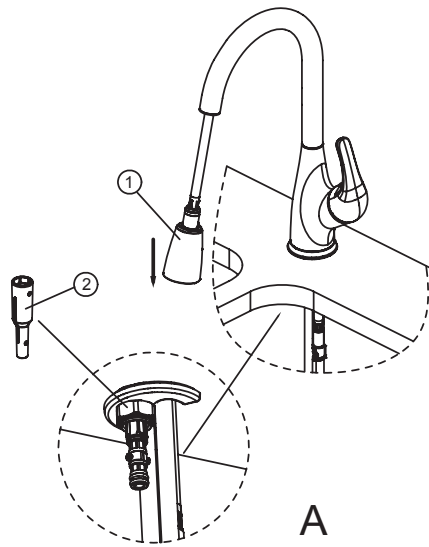
- Install the flange ① or escutcheon ② on the faucet.  
(Escutcheon for deck mount style, and the flange for center mount style)

2



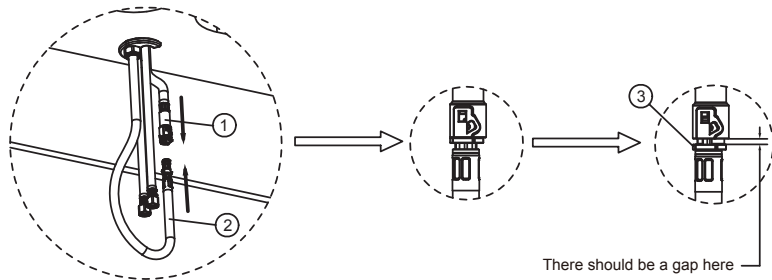
- Shut off water supplies, remove old faucet.
- Set new faucet into place over baseplate, push faucet as far back on sink as possible.
- Secure to sink by rubber washer ①, steel washer ②, tighten the lock nut ③ with hand.

3



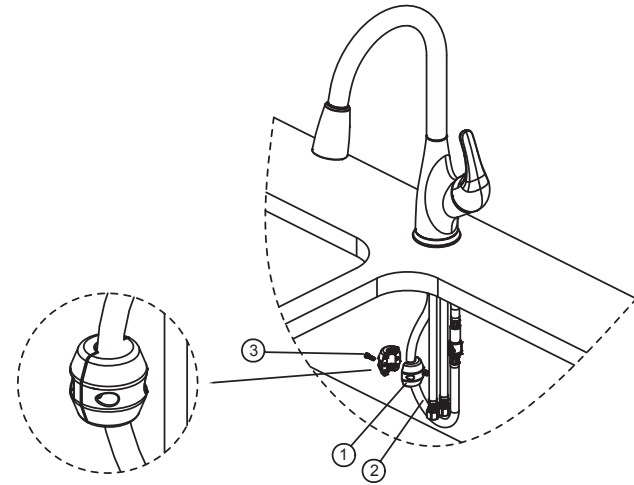
- Pull the spray header ① down until appropriate location .(See the detail A)
- Use the wrench ② to tighten the lock nut.

4



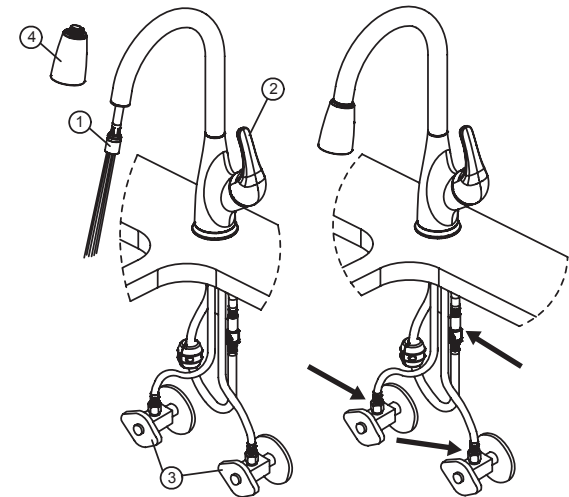
- Connect the outlet hose ① with pull-down hose ②
- Confirm the bushing ③ return to original state .

5



- Set the weight ① on the appropriate location of the pull-down hose ②, tighten the screws ③.

6



- Connect to water supplies (hot and cold angle valve).
- Pull the hose assembly ① out of the spout and be sure to hold the end of the hose down into the sink.
- Turn faucet handle ② to be full on mixed position.
- Turn on hot and cold water supplies ③ , and flush water lines for one minute.
- Turn off faucet handle, reinstall the spray header ④, check all connections at arrows for leaks.